

SNFSCR

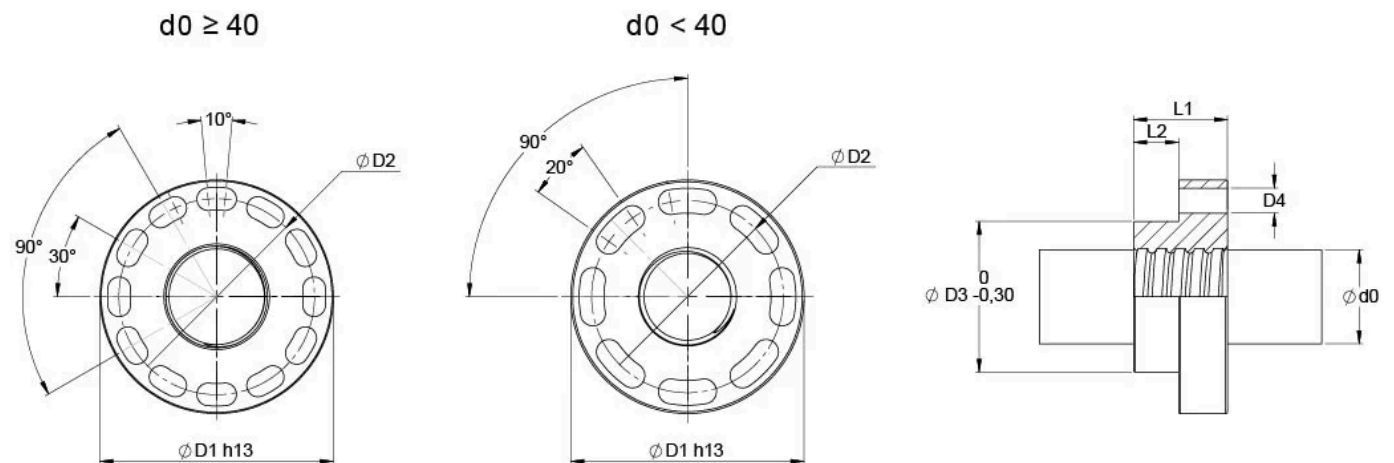
All dimensions in mm.



General Data

Designation	Ca0 (N)
SNFSCR1605	50000
SNFSCR2005	61000
SNFSCR2505	75000
SNFSCR2510	56000
SNFSCR3205	112000
SNFSCR3210	113000
SNFSCR4005	163000
SNFSCR4010	190000
SNFSCR5010	226000

Dimensions



Designation	d1	d2	D3	D4	L1	L2	d0
SNFSCR1605	48	38	28	8x5.5	25	12	16
SNFSCR2005	58	47	36	8x6.6	25	12	20
SNFSCR2505	62	51	40	8x6.6	25	12	25
SNFSCR2510	62	51	40	8x6.6	30	15	25
SNFSCR3205	80	65	50	8x9	30	15	32
SNFSCR3210	80	65	50	8x9	30	15	32
SNFSCR4005	93	78	63	12x9	35	15	40
SNFSCR4010	93	78	63	12x9	40	15	40
SNFSCR5010	110	93	75	12x11	40	15	50