

SBI-SLL

Long, slim block without flange, standard height. Side nipple, dustproof end seal and self-lubricant container end seal as option.

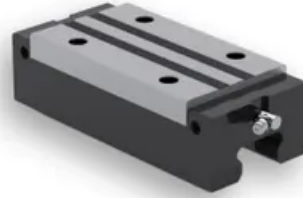
* S: Bolt size for bottom mounting type of block

All blocks and rails are also available in Raydent treated material:

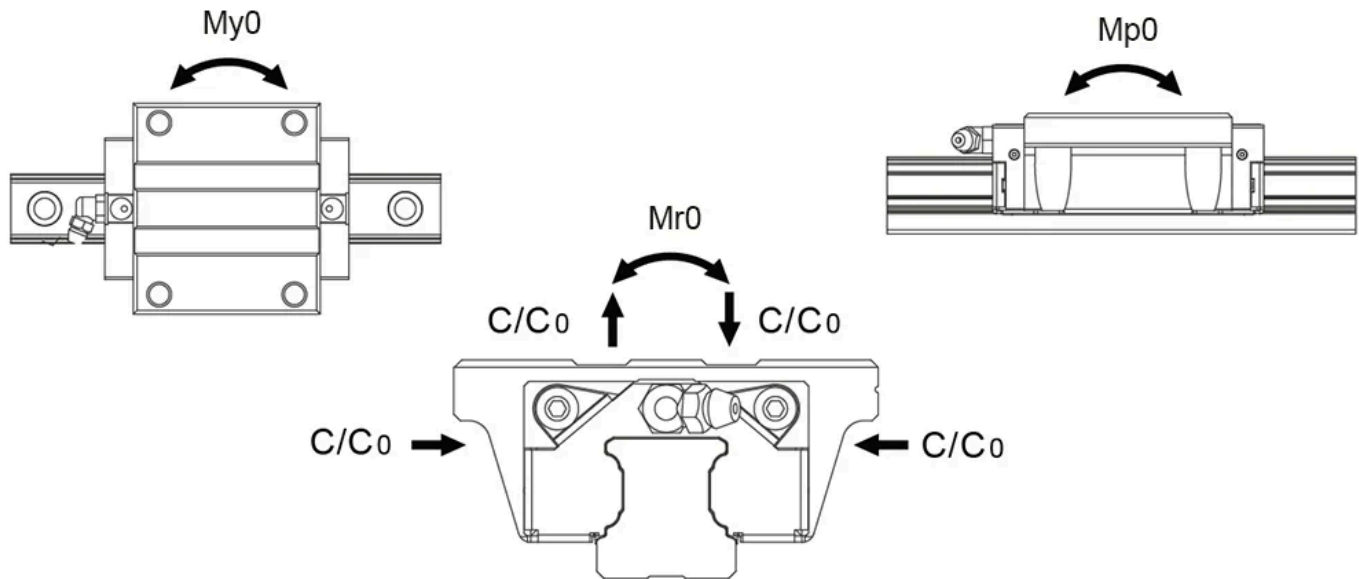
- Corrosion resistant
 - Patented black surface
 - Delivered with steel balls of standard bearing steel.
- Stainless steel balls are available on special request and for a few sizes only. Contact Rollco for more information.

Dimensions in mm.

Lead times in the table below are only indications. Choice of preload and other options will affect lead time. Please contact us for exact delivery time for your request.



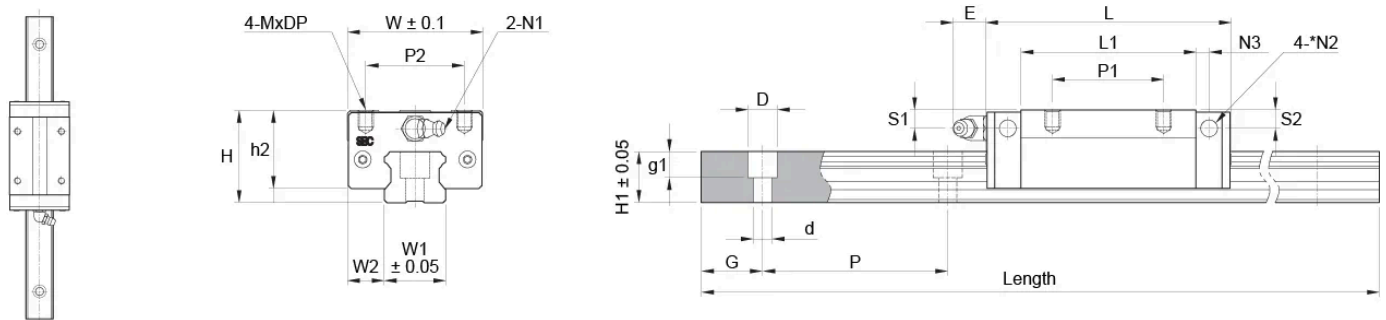
General Data



Designation	Dynamic Load Capacity C (N)	Static Load Capacity C0 (N)	Static Moment Mr0 (Nm)	Static Moment Mp0 (Nm)	Static Moment My0 (Nm)
SBI15SLL	17100	31700	210	290	290
SBI20SLL	27900	50000	470	560	560
SBI25SLL	36700	64400	690	840	840
SBI30SLL	51300	84700	1100	1300	1300
SBI35SLL	71300	115300	1830	2120	2120
SBI45SLL	94800	150500	3210	3140	3140
SBI55SLL	147900	224500	5950	4780	4780
SBI65SLL	232500	354100	11150	9860	9860

Designation	Dynamic Moment Mr (Nm)	Dynamic Moment Mp (Nm)	Dynamic Moment My (Nm)	Weight Block (g)	Weight Rail (g/m)
SBI15SLL	113	156	156	260	1300
SBI20SLL	262	312	312	540	2200
SBI25SLL	393	479	479	850	3000
SBI30SLL	666	787	787	1370	4250
SBI35SLL	1132	1311	1311	2040	6020
SBI45SLL	2022	1978	1978	3690	9770
SBI55SLL	3920	3149	3149	5820	13720
SBI65SLL	7321	6474	6474	11980	23170

Dimensions



Designation	L	H	W	W1	W2	L1	H1	h2	S1
SBI15SLL	79.4	28	34	15	9.5	60.8	13	25	8.5
SBI20SLL	96.4	30	44	20	12	74.4	16.5	25.4	6
SBI25SLL	108	40	48	23	12.5	86	20	34.5	10
SBI30SLL	131.6	45	60	28	16	103.6	23	38	11.5
SBI35SLL	152.6	55	70	34	18	122.6	26	47.5	15
SBI45SLL	174	70	86	45	20.5	140	32	61	20.5
SBI55SLL	211.8	80	100	53	23.5	170.4	38	58	22
SBI65SLL	272.2	90	126	63	31.5	222.8	53	71	14

Designation	S2	D x d x g1	Hole Pitch (P)	MxDP	N1	N2	N3	P1	P2	E
SBI15SLL	7.8	7.5 x 4.5 x 5.5	60	M4x5	M4x0.7	Ø 3.5	3.8	34	26	5.5
SBI20SLL	5.8	9.5 x 6 x 8.5	60	M5x5	M6x0.75	Ø 3.5	5	50	32	12
SBI25SLL	9	11 x 7 x 9	60	M6x8	M6x0.75	Ø 3.5	5	50	35	12
SBI30SLL	10.8	14 x 9 x 12	80	M8x10	M6x0.75	Ø 5.7	5	60	40	12
SBI35SLL	15	14 x 9 x 12	80	M8x10	M6x0.75	Ø 5.7	6	72	50	12
SBI45SLL	19.3	20 x 14 x 17	105	M10x13	PT1/8	Ø 5.7	6.5	80	60	13.5
SBI55SLL	22	23 x 16 x 20	120	M12x18	PT1/8	Ø 8.7	8	95	75	13
SBI65SLL	14	26 x 18 x 22	150	M16x16	PT1/8	Ø 8.7	10	120	76	13

Designation	G	P	Length
SBI15SLL	20	60	3000
SBI20SLL	20	60	4000
SBI25SLL	20	60	4000
SBI30SLL	20	80	4000
SBI35SLL	20	80	4000
SBI45SLL	22.5	105	4000
SBI55SLL	30	120	4000
SBI65SLL	35	150	4000