

## SBI FV

Super short block with flange, low height. Side nipple, dustproof end seal and self-lubricant container end seal as option.

\* S: Bolt size for bottom mounting type of block

All blocks and rails are also available in Raydent treated material:

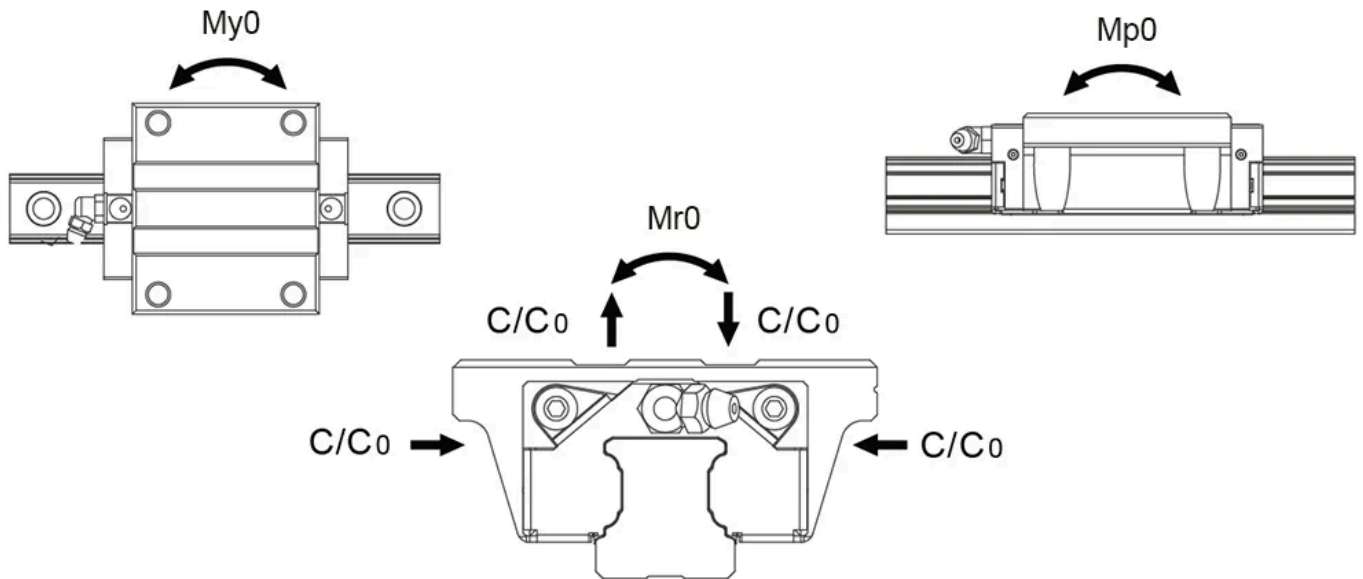
- Corrosion resistant
  - Patented black surface
  - Delivered with steel balls of standard bearing steel.
- Stainless steel balls are available on special request and for a few sizes only. Contact Rollco for more information.

Dimensions in mm.

Lead times in the table below are only indications. Choice of preload and other options will affect lead time. Please contact us for exact delivery time for your request.



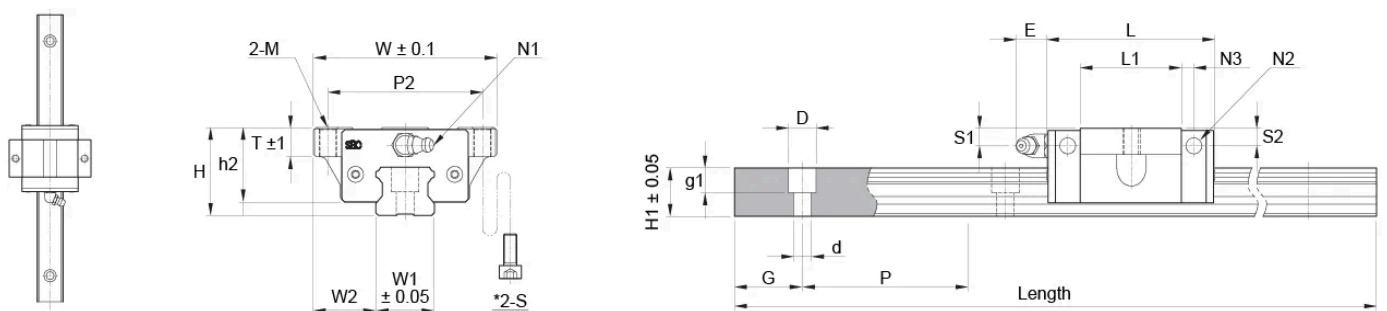
## General Data



Designation	Dynamic Load Capacity C (N)	Static Load Capacity C0 (N)	Static Moment Mr0 (Nm)	Static Moment Mp0 (Nm)	Static Moment My0 (Nm)
SBI15FV	5800	12800	40	30	30
SBI20FV	9400	20200	120	100	100
SBI25FV	12400	26100	190	170	170

Designation	Dynamic Moment Mr (Nm)	Dynamic Moment Mp (Nm)	Dynamic Moment My (Nm)	Weight Block (g)	Weight Rail (g/m)
SBI15FV	18	14	14	100	1300
SBI20FV	56	47	47	240	2200
SBI25FV	90	81	81	370	3000

## Dimensions



Designation	L	H	W	W1	W2	L1	H1	h2	S1
SBI15FV	39.9	24	47	15	16	21.3	13	21	4.5
SBI20FV	49.1	28	63	20	21.5	27.1	16.5	23.4	4.8
SBI25FV	52.6	33	70	23	23.5	30.6	20	27.5	5.4

Designation	S2	D x d x g1	Hole Pitch (P)	N1	N2	N3	P2	E	G	M
SBI15FV	3.8	7.5 x 4.5 x 5.5	60	M4x0.7	Ø 3.5	3.4	38	5.5	20	M5
SBI20FV	4	9.5 x 6 x 8.5	60	M6x0.75	Ø 3.5	5	53	12	20	M6
SBI25FV	5.4	11 x 7 x 9	60	M6x0.75	Ø 3.5	5	57	12	20	M8

Designation	P	S	T	Length
SBI15FV	60	M4	8.8	3000
SBI20FV	60	M5	8	4000
SBI25FV	60	M6	9	4000