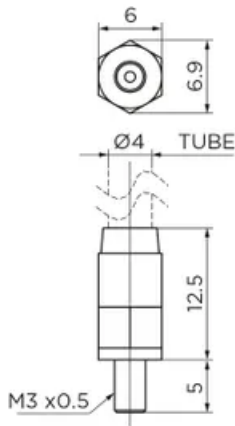


Optional straight adapter

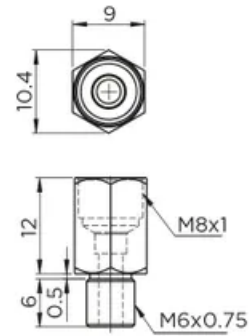
When external NBR seal is chosen (SN), please use long type straight adapter.



OA-M3-D4

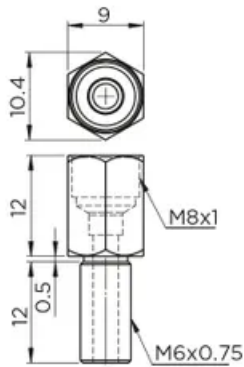


OA-M6-M8



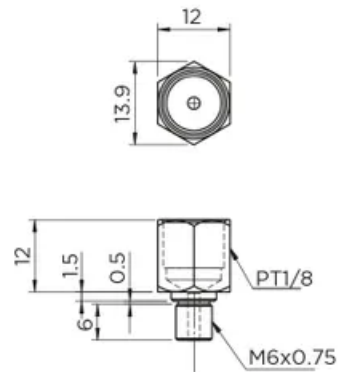
Ø 4 Oil hole grease injector available

OA-M6-M8-L

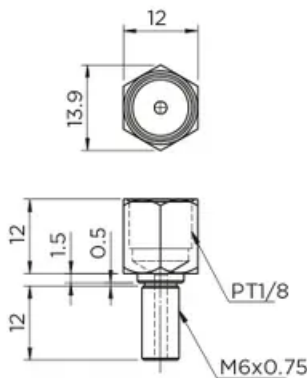


Ø 4 Oil hole grease injector available

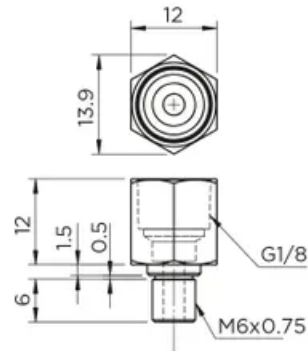
OA-M6-PT1/8



OA-M6-PT1/8-L

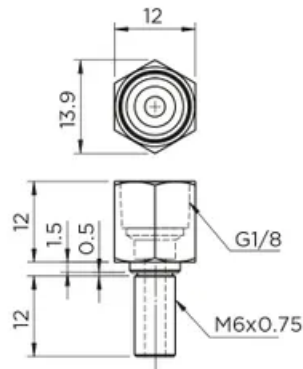


OA-M6-G1/8



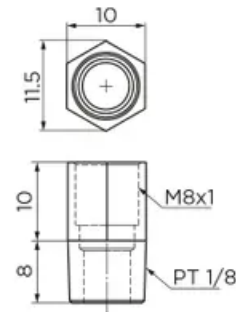
Ø 6 Oil hole grease injector available

OA-M6-G1/8-L



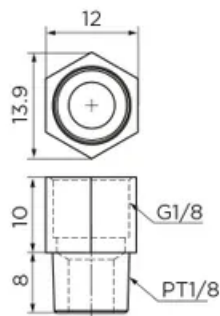
Ø 6 Oil hole grease injector available

OA-PT1/8-M8



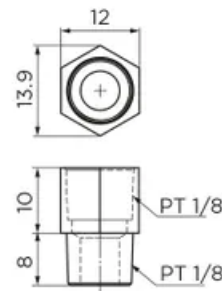
Ø 4 Oil hole grease injector available

OA-PT1/8-G1/8



Ø 6 Oil hole grease injector available

OA-PT1/8-PT1/8



Port sizes for grease nipple

Type	Port size		Top o-ring size
	Front	Side	
HRC/ARC 15	M3	M3	P3
HRC/ARC 20	M3	M3	P4
HRC/ARC/ERC 25	M6	M3	P4
HRC/ARC 30	M6	M6	P5
HRC/ARC 35	M6	M6	P5
HRC/ARC 45	PT1/8	M6	P5
HRC/ARC 55	M6	M6	P5
WRC 21/15	M3	M3	P3
WRC 27/20	M3	M3	P4

General Data

Designation	Compatible with	Remark	Thread	Type
OA-M3-D4	Block size 15 & 20	-	M3x0.5	Normal
OA-M6-M8	Block size 25, 30, 35 & 55	-	M6x0.75	Normal
OA-M6-M8-L	Block size 25, 30, 35 & 55	For block with external seal (SN)	M6x0.75	Long

Designation	Compatible with	Remark	Thread	Type
OA-M6-PT1/8	Block size 30, 35 & 55	-	M6x0.75	Normal
OA-M6-PT1/8-L	Block size 30, 35 & 55	For block with external seal (SN)	M6x0.75	Long
OA-M6-G1/8	Block size 30, 35 & 55	-	M6x0.75	Normal
OA-M6-G1/8-L	Block size 30, 35 & 55	For block with external seal (SN)	M6x0.75	Long
OA-PT1/8-M8	Block size 45	-	PT 1/8	Normal
OA-PT1/8-PT1/8	Block size 45	-	PT 1/8	Normal
OA-PT1/8-G1/8	Block size 45	-	PT 1/8	Normal