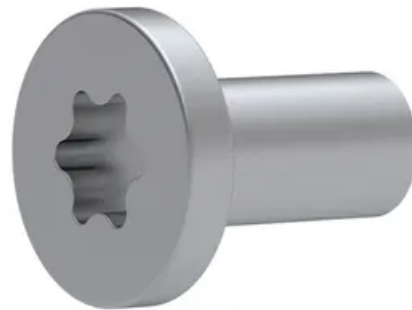


## Fixing screws

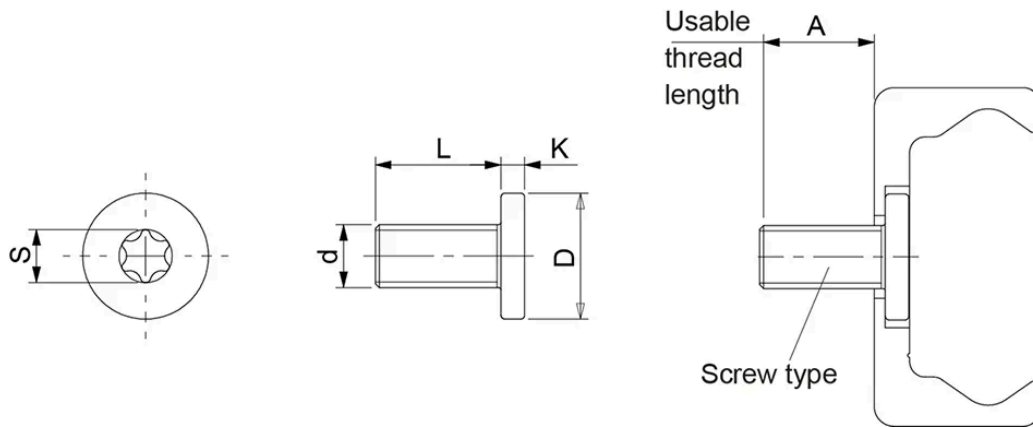
When a rail with counterbored holes is delivered, the Torx® screws are provided in the right quantity.



## General Data

Designation	Size	Tightening Torque (Nm)
Torx size 18 M4x8	18	3
Torx size 28 M5x10	28	9
Torx size 43 M8x16	43	22
Torx size 63 M8x20	63	35

## Dimensions



Designation	A	L	d	D	K	S
Torx size 18 M4x8	7.2	8	M4 x 0.7	8	2	T20
Torx size 28 M5x10	9	10	M5 x 0.8	10	2	T25
Torx size 43 M8x16	14.6	16	M8 x 1.25	16	3	T40
Torx size 63 M8x20	17.2	20	M8 x 1.25	13	5	T40