

## WRA

Dimensions in mm.

Reduction of load rating for linear ball bearing because of less hardness.

Other types available on request.

**Material:** X90CrMoV18 / 1.4112.

**Surface hardness:** 54 HRC min. Hardening depth according to DIN ISO 18203.

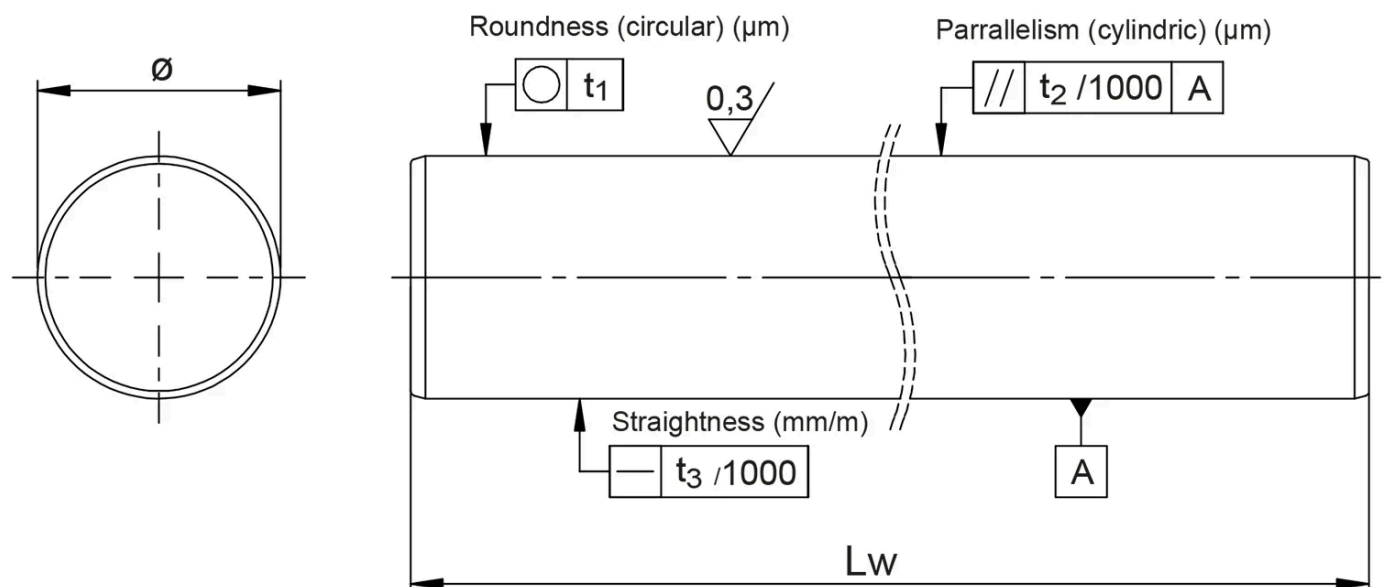
**Standard Tolerance:** ISO h6



## General Data

| Designation | Weight (kg/m) |
|-------------|---------------|
| WRA8        | 0.39          |
| WRA10       | 0.62          |
| WRA12       | 0.89          |
| WRA14       | 1.21          |
| WRA16       | 1.58          |
| WRA20       | 2.47          |
| WRA25       | 3.85          |
| WRA30       | 5.55          |
| WRA40       | 9.86          |
| WRA50       | 15.41         |

## Dimensions



| Designation | Lw (mm) | Diameter | Hardening Depth (mm) | Roundness t1 ( $\mu\text{m}$ ) | Parallelism t2 ( $\mu\text{m}$ ) | Straightness t3 (mm/m) |
|-------------|---------|----------|----------------------|--------------------------------|----------------------------------|------------------------|
| WRA8        | 6000    | 8        | 0.4                  | 4                              | 6                                | 0.3                    |
| WRA10       | 6000    | 10       | 0.4                  | 4                              | 6                                | 0.3                    |
| WRA12       | 6000    | 12       | 0.6                  | 5                              | 8                                | 0.3                    |
| WRA14       | 6000    | 14       | 0.6                  | 5                              | 8                                | 0.3                    |
| WRA16       | 6000    | 16       | 0.6                  | 5                              | 8                                | 0.2                    |
| WRA20       | 6000    | 20       | 0.9                  | 6                              | 9                                | 0.2                    |
| WRA25       | 6000    | 25       | 0.9                  | 6                              | 9                                | 0.2                    |
| WRA30       | 6000    | 30       | 0.9                  | 6                              | 9                                | 0.2                    |
| WRA40       | 6000    | 40       | 1.5                  | 7                              | 11                               | 0.2                    |
| WRA50       | 6000    | 50       | 1.5                  | 7                              | 11                               | 0.2                    |