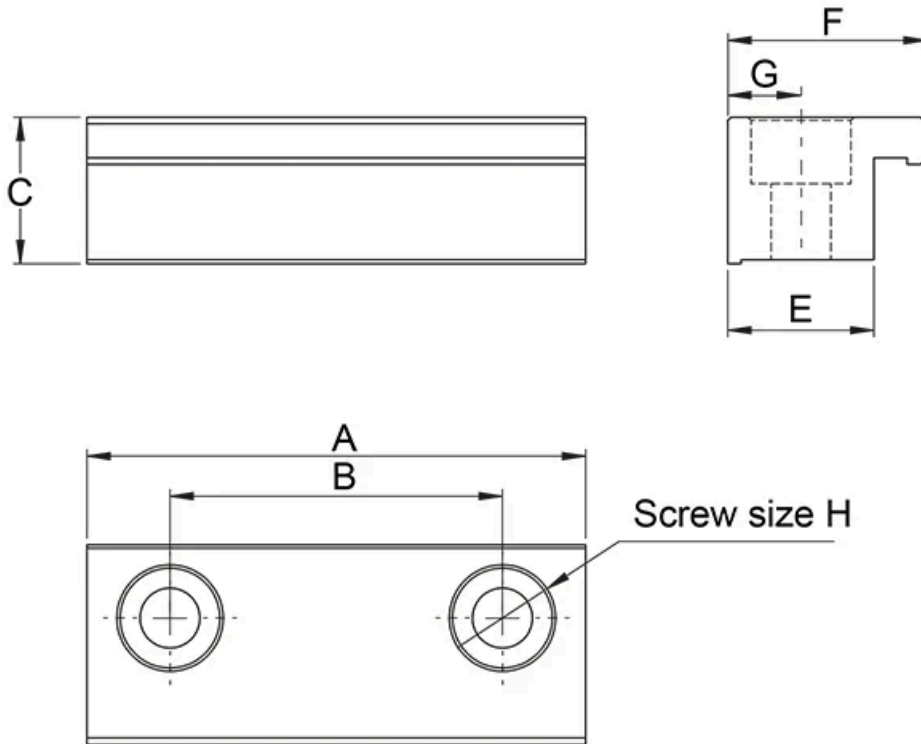


Fixing Element

Dimensions in mm.



Dimensions



| Designation | G | A | B | H | F | C | E |
|----------------------|----|----|----|----|----|------|----|
| RHL80-FE8S (side) | 11 | 75 | 50 | M8 | 30 | 22 | 22 |
| RHL80-FE5B (bottom) | 11 | 75 | 50 | M8 | 30 | 18.5 | 25 |
| RHL110-FE8S (side) | 11 | 75 | 50 | M8 | 30 | 28 | 22 |
| RHL110-FE8B (bottom) | 11 | 75 | 50 | M8 | 30 | 20 | 22 |