

## Linear Unit MTJ 80

The MTJ linear units have toothed belt drive and compact dimensions to provide high performance features such as high speed and good accuracy.

The unit MTJ have a pre-tensioned steel reinforced AT polyurethane timing toothed belt. In conjunction with a zero-backlash drive pulley high moments with alternating loads with good positioning accuracy, low wear and low noise can be realized.

All parts in the profile are protected from dust and other contaminations. As corrosion-resistant protection strip is available as option.

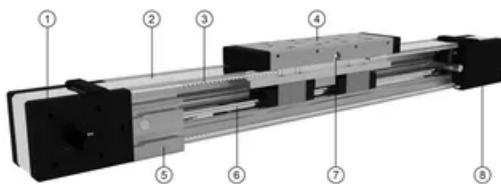
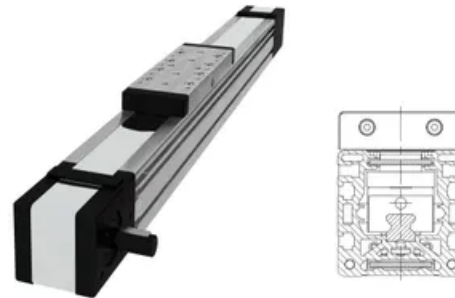
**Modulus of Elasticity:**  $E = 70000 \text{ N / mm}^2$

**Operating Temperature (°C):** 0 ~ +60 For operating temperature out of the presented range, please contact Rollco.

**Duty Cycle:** 100%

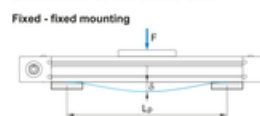
**Max. Acceleration (m/s<sup>2</sup>):** 50 (Optional, acceleration up to 70 m/s<sup>2</sup> possible if used without INOX seal strip)

**Max. Travel Speed (m/s):** 1.5 (Optional, travel speed up to 6 m/s possible if used without INOX seal strip)

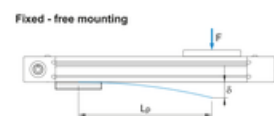


1. Drive block with pulley
2. Corrosion-resistant protection strip (available also without protection strip)
3. AT polyurethane toothed belt with steel tension cords
4. Carriage with built in magnets
5. Aluminium profile-hard anodized
6. Linear ball guideway
7. Central lubrication port, both sides
8. Tension end with integrated belt tensioning system

### Deflection of the linear unit



$\delta$  Maximum deflection of the linear unit [mm]  
 $\delta_{max}$  Maximum permissible deflection of the linear unit [mm]  
 $F$  Applied force [N]  
 $L_p$  Unsupported profile length [mm]

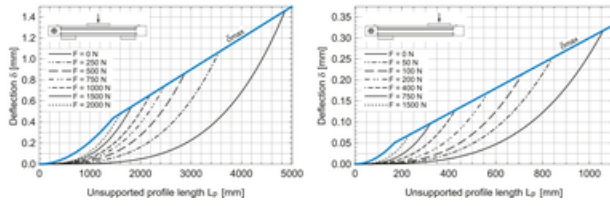


The maximum permissible deflection ( $\delta_{max}$ ) must not be exceeded. In the case that maximum deflection  $\delta$  exceeds the maximum permissible deflection ( $\delta_{max}$ ) additional profile supports are needed.

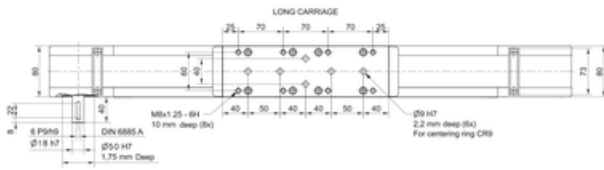
# Linear Unit MTJ 80

## Deflection of the linear unit

MTJ 80

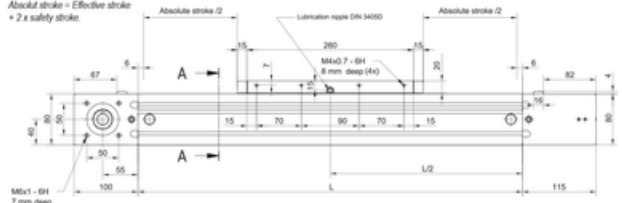


① The linear units do not include any safety stroke:  
 Absolute stroke = Effective stroke + 2 x safety stroke.



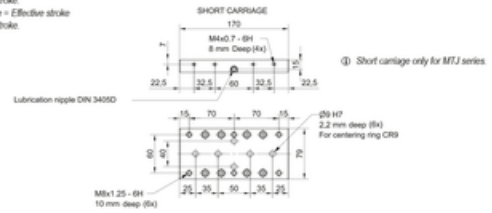
① Journal with or without keyway ① All dimensions in mm. Drawings scales are not equal

① The linear units do not include any safety stroke:  
 Absolute stroke = Effective stroke + 2 x safety stroke.



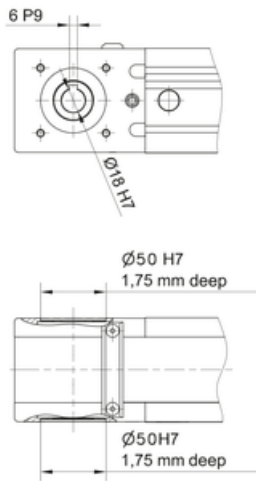
① Journal with or without keyway ① All dimensions in mm. Drawings scales are not equal

① The linear units do not include any safety stroke:  
 Absolute stroke = Effective stroke + 2 x safety stroke.

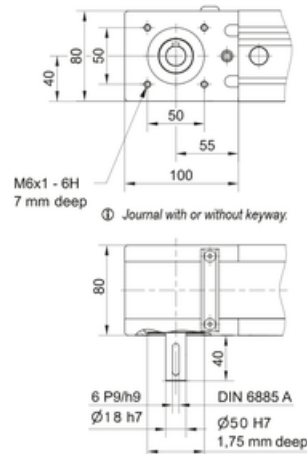


① Journal with or without keyway ① All dimensions in mm. Drawings scales are not equal

## TYPE 0

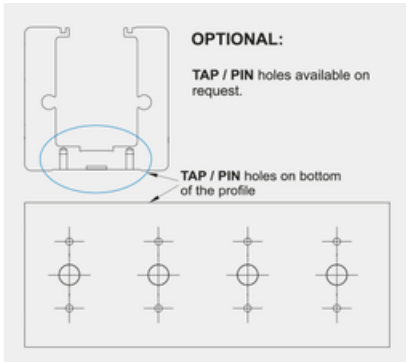
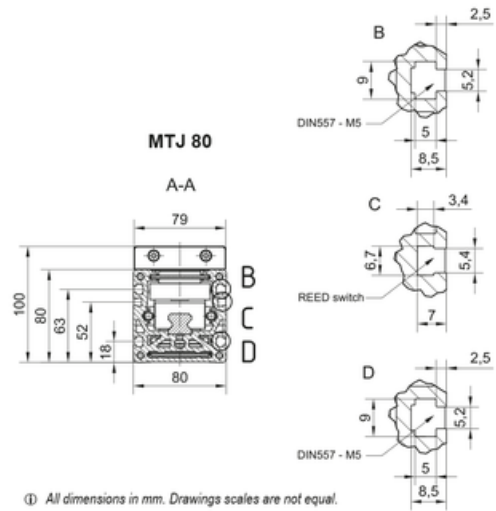
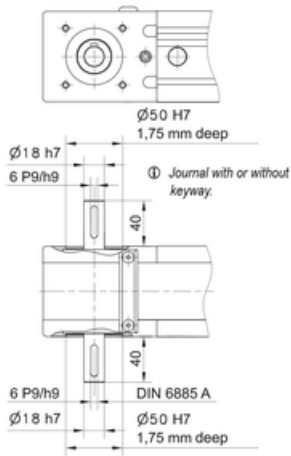


## TYPE 1 L and 1 R



# Linear Unit MTJ 80

**TYPE 2**



**Defining of the linear unit length**

$L = \text{Effective stroke} + 2 \times \text{Safety stroke} + L_v + 42\ \text{mm}$

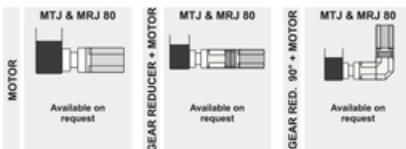
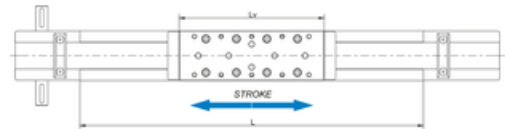
$L_{\text{total}} = L + 215\ \text{mm}$

$L_v - \text{Long carriage} = 260\ \text{mm}$

$L_v - \text{Short carriage} = 170\ \text{mm}$

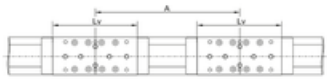
Left side (L)

Right side (R)



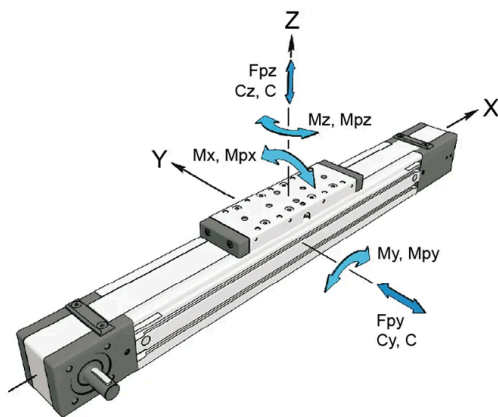
## Linear Unit MTJ 80

Double-Carriage



$$\left. \begin{aligned} L &= \text{Effective stroke} + 2 \times \text{Safety stroke} + Lv + A + 42 \text{ mm} \\ L_{\text{total}} &= L + 215 \text{ mm} \end{aligned} \right\} A \geq Lv + 30 \text{ mm}$$

## General data



For lengths/stroke over the stated value in the table, please contact Rollco. Values for max. stroke are not valid for double carriage (equation of defining the linear unit length for particular size of the linear unit needs to be used).

For minimum stroke below the stated value in the table, please contact Rollco.

### Recommended values of loads

All the data of static and dynamic moments and load capacities stated in the table are theoretical without considering any safety factor. The safety factor depends on the application and its requested safety. We recommend a minimum safety factor ( $f_s = 5.0$ ).

### Modulus of elasticity

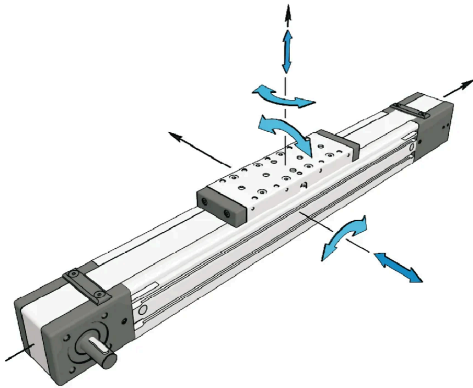
$E = 70000 \text{ N / mm}^2$

Designation	Carriage Length $L_v$ (mm)	Dynamic Moment $M_x$ (Nm)	Dynamic Moment $M_y$ (Nm)	Dynamic Moment $M_z$ (Nm)	Dynamic Load Capacity C (N)
MTJ 80 S	170	185	130	130	17100
MTJ 80 L	260	370	2565	2565	34200

Designation	Static Load Capacity $C_0$ (N)	Max. Permissible Loads Forces $F_{py}$ (N)	Max. Permissible Loads Forces $F_{pz}$ (N)	Max. Permissible Loads Moments $M_{px}$ (Nm)	Max. Permissible Loads Moments $M_{py}$ (Nm)	Max. Permissible Loads Moments $M_{pz}$ (Nm)
MTJ 80 S	30000	4470	7530	110	122	100
MTJ 80 L	60000	8930	15060	150	1130	670

Designation	Moved Mass (kg)	Max. Repeatability (mm)	Max. Length $L_{max}$ (mm)	Max. Stroke (mm)	Min. Stroke (mm)
MTJ 80 S	1.72	$\pm 0.08$	6000	5788	55
MTJ 80 L	2.72	$\pm 0.08$	6000	5698	55

## General data double carriage



A - Distance between carriages.

Max. travel speed and max. acceleration of linear unit with the corrosion-resistant protection strip is 1,5 m/s and 50 m/s<sup>2</sup> respectively.

The stated values are for strokes up to 500 mm. No load torque value increases with stroke elongation.

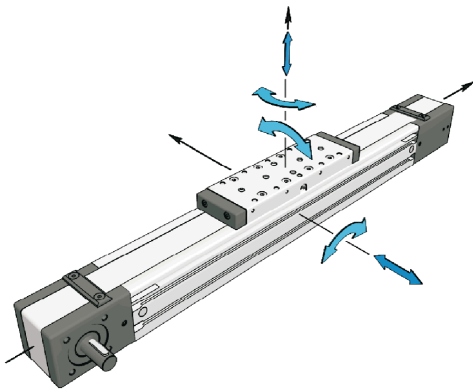
Max. acceleration (m/s<sup>2</sup>): 70

For acceleration over the stated value, please contact Rollco.

Designation	Carriage version	Dynamic Load Capacity C (N)	Static Load Capacity C0 (N)	Dynamic Moment Mx (Nm)	Dynamic Moment My (Nm)
<b>MTJ 80 S</b>	S2	34200	60000	370	17.1 × A (mm)
<b>MTJ 80 L</b>	L2	68400	120000	740	34.2 × A (mm)

Designation	Dynamic Moment Mz (Nm)	Max. Permissible Loads Forces Fpy (N)	Max. Permissible Loads Forces Fpz (N)	Max. Permissible Loads Moments Mpx (Nm)	Max. Permissible Loads Moments Mpy (Nm)	Max. Permissible Loads Moments Mpz (Nm)
<b>MTJ 80 S</b>	17.1 × A (mm)	8930	15060	220	7.5 × A (mm)	4.5 × A (mm)
<b>MTJ 80 L</b>	34.2 × A (mm)	17860	30130	300	15.1 × A (mm)	8.9 × A (mm)

## Drive data



Max. travel speed and max. acceleration of linear unit with the corrosion-resistant protection strip is 1,5 m/s and 50 m/s<sup>2</sup> respectively.

The stated values are for strokes up to 500 mm. No load torque value increases with stroke elongation.

Max. acceleration (m/s<sup>2</sup>): 70

For acceleration over the stated value, please contact Rollco.

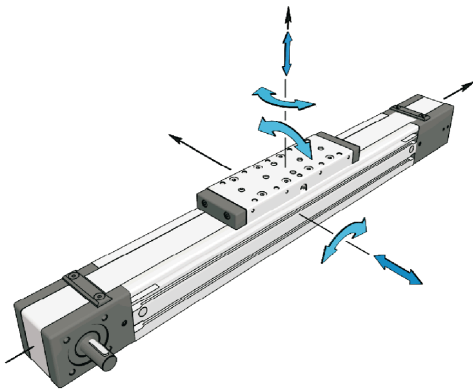
Mass calculation does not include mass of motor, reduction gear, switches and clamps.

Abs. stroke	Absolute stroke [mm]
A	Distance between carriages [mm]
nc	Number of carriages

Designation	Max. Drive Torque Ma (Nm)	No Load Torque with Strip (Nm)	No Load Torque without Strip (Nm)	Pulley Drive Ratio (mm/rev)	Pulley Diameter
<b>MTJ 80 S</b>	29.4	1.5	1.2	210	66.84
<b>MTJ 80 L</b>	29.4	1.7	1.4	210	66.84

Designation	Belt Type	Belt Width	Max. Force Transmitted by Belt (N)	Specific Spring Constant Cspec (N)	Planar Moment of Inertia Iy (cm <sup>4</sup> )	Planar Moment of Inertia Iz (cm <sup>4</sup> )
<b>MTJ 80 S</b>	AT5	50	880	960000	129.1	173.4
<b>MTJ 80 L</b>	AT5	50	880	960000	129.1	173.4

## Mass and Mass moment



Max. travel speed and max. acceleration of linear unit with the corrosion-resistant protection strip is 1,5 m/s and 50 m/s<sup>2</sup> respectively.

The stated values are for strokes up to 500 mm. No load torque value increases with stroke elongation.

Max. acceleration (m/s<sup>2</sup>): 70

For acceleration over the stated value, please contact Rollco.

Mass calculation does not include mass of motor, reduction gear, switches and clamps.

Abs. stroke	Absolute stroke [mm]
A	Distance between carriages [mm]
nc	Number of carriages

Designation	Mass of Linear Unit (kg)	Mass Moment of Inertia (10 <sup>-5</sup> kg m <sup>2</sup> )	Planar Moment of Inertia I <sub>y</sub> (cm <sup>4</sup> )	Planar Moment of Inertia I <sub>z</sub> (cm <sup>4</sup> )	Moved Mass (kg)
<b>MTJ 80 S</b>	$6.8 + 0.0085 \times (\text{Abs. Stroke} + (\text{nc} - 1) \times A) + 1.72 \times (\text{nc} - 1)$	$310.6 + 0.0391 \times (\text{Abs. Stroke} + (\text{nc} - 1) \times A) + 192.1 \times (\text{nc} - 1)$	129.1	173.4	1.72
<b>MTJ 80 L</b>	$8.4 + 0.0085 \times (\text{Abs. Stroke} + (\text{nc} - 1) \times A) + 2.72 \times (\text{nc} - 1)$	$423.3 + 0.0391 \times (\text{Abs. Stroke} + (\text{nc} - 1) \times A) + 303.8 \times (\text{nc} - 1)$	129.1	173.4	2.72