

## Linear Unit CTV 145

The CTV series describes linear units with a precision ball screw drive and two parallel, integrated, zero backlash rail guides. In the linear units CTV a precision ball screw, with tolerance class ISO7 (ISO5 on request), with reduced backlash of the ball nut is used.

Two parallel circulating antistatic polyurethane sealing strips and an aluminum cover are ensuring to protect all the parts in the profile from dust and other contaminations. Re-lubrication can be done through maintenance holes on the side of the profile.

**Modulus of Elasticity:**  $E = 70000 \text{ N / mm}^2$

**Operating Temperature (°C):** 0 ~ +60 For operating temperature out of the presented range, please contact Rollco.

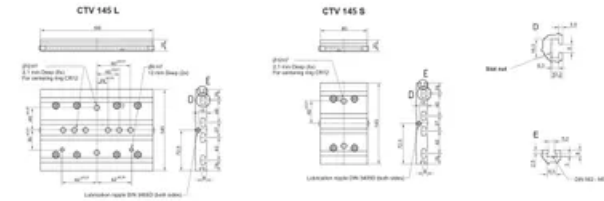
**Duty Cycle:** 100%

**Max. Acceleration (m/s<sup>2</sup>):** 20





**Connection plate**



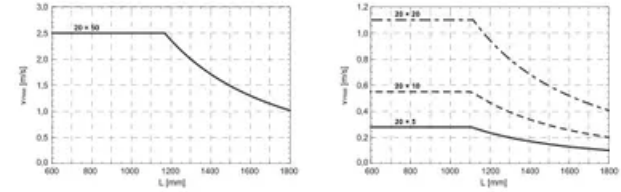
**Mounting the drive**

- by the MOTOR SIDE DRIVE - MSD
- by the MOTOR ADAPTER WITH COUPLING

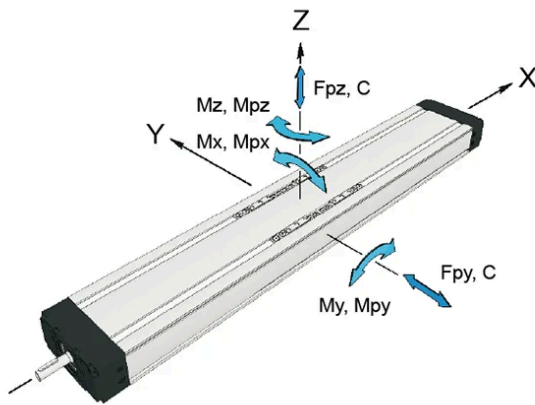
Linear Unit	Plate length [mm]	Weight [kg]	Code
CTV 145 S	90	0.75	4071
CTV 145 L	190	1.54	4070

Mounting elements for mounting the connector plate on the linear unit are included.

**Maximum travel speed as a function of the profile length (vmax - L curves)**  
CTV 145



## General data



For length/stroke over the stated value, please contact Rollco. Values for max. stroke are not valid for double carriage (equation of defining the linear unit length for particular size of the linear unit needs to be used).

**Recommended values of loads**

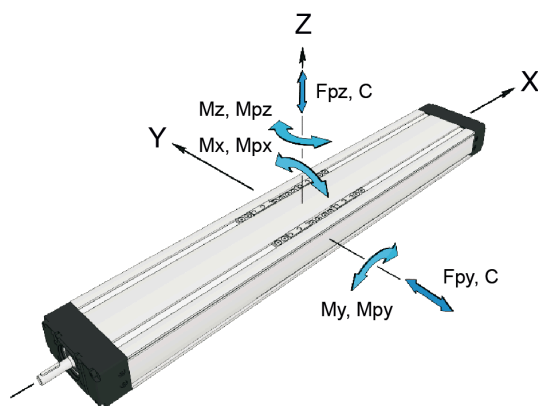
All the data of static and dynamic moments and load capacities stated are theoretical without considering any safety factor. The safety factor depends on the application and its requested safety. We recommend a minimum safety factor (fs=5.0).

Designation	Carriage Length Lv (mm)	Dynamic Moment Mx (Nm)	Dynamic Moment My (Nm)	Dynamic Moment Mz (Nm)	Dynamic Load Capacity C (N)
CTV 145 S - 20 x 5	49	1500	260	520	34200
CTV 145 S - 20 x 10	49	1500	260	520	34200
CTV 145 S - 20 x 20	49	1500	260	520	34200
CTV 145 S - 20 x 50	49	1500	260	520	34200
CTV 145 L - 20 x 5	149	3005	3420	3420	68400
CTV 145 L - 20 x 10	149	3005	3420	3420	68400
CTV 145 L - 20 x 20	149	3005	3420	3420	68400
CTV 145 L - 20 x 50	149	3005	3420	3420	68400

Designation	Static Load Capacity C0 (N)	Max. Permissible Loads Forces Fpy (N)	Max. Permissible Loads Forces Fpz (N)	Max. Permissible Loads Moments Mpx (Nm)	Max. Permissible Loads Moments Mpy (Nm)	Max. Permissible Loads Moments Mpz (Nm)
CTV 145 S - 20 x 5	60000	8930	15320	674	260	180
CTV 145 S - 20 x 10	60000	8930	15320	674	260	180
CTV 145 S - 20 x 20	60000	8930	15320	674	260	180
CTV 145 S - 20 x 50	60000	8930	15320	674	260	180
CTV 145 L - 20 x 5	120000	17860	30680	1350	1700	893
CTV 145 L - 20 x 10	120000	17860	30680	1350	1700	893
CTV 145 L - 20 x 20	120000	17860	30680	1350	1700	893
CTV 145 L - 20 x 50	120000	17860	30680	1350	1700	893

Designation	Moved Mass (kg)	Max. Length Lmax (mm)	Max. Stroke (mm)	Min. Stroke (mm)
CTV 145 S - 20 x 5	1.19	1800	1690	55
CTV 145 S - 20 x 10	1.19	1800	1690	55
CTV 145 S - 20 x 20	1.19	1800	1690	55
CTV 145 S - 20 x 50	1.19	1800	1690	55
CTV 145 L - 20 x 5	2.61	1800	1590	55
CTV 145 L - 20 x 10	2.61	1800	1590	55
CTV 145 L - 20 x 20	2.61	1800	1590	55
CTV 145 L - 20 x 50	2.61	1800	1590	55

## General data double carriage



Mass calculation does not include mass of motor, reduction gear, switches and clamps.

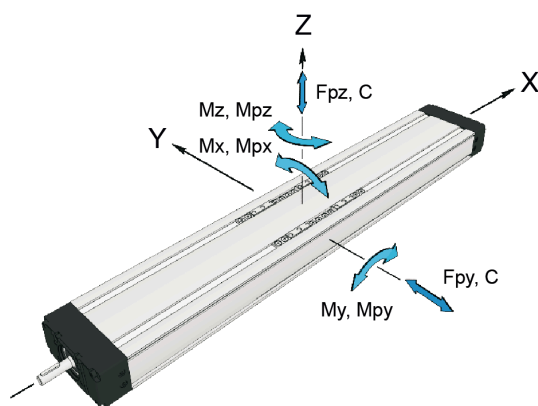
Abs. stroke	Absolute stroke [mm]
A	Distance between carriages [mm]
nc	Number of carriages

Designation	Carriage version	Dynamic Load Capacity C (N)	Static Load Capacity C0 (N)	Dynamic Moment Mx (Nm)	Dynamic Moment My (Nm)
CTV 145 S - 20 x 5	S2 (S)	68400	120000	3000	34.2 × A (mm)
CTV 145 S - 20 x 10	S2 (S)	68400	120000	3000	34.2 × A (mm)
CTV 145 S - 20 x 20	S2 (S)	68400	120000	3000	34.2 × A (mm)
CTV 145 S - 20 x 50	S2 (S)	68400	120000	3000	34.2 × A (mm)
CTV 145 L - 20 x 5	S2 (L)	68400	120000	3000	34.2 × A (mm)
CTV 145 L - 20 x 10	S2 (L)	68400	120000	3000	34.2 × A (mm)
CTV 145 L - 20 x 20	S2 (L)	68400	120000	3000	34.2 × A (mm)
CTV 145 L - 20 x 50	S2 (L)	68400	120000	3000	34.2 × A (mm)

Designation	Dynamic Moment Mz (Nm)	Max. Permissible Loads Forces Fpy (N)	Max. Permissible Loads Forces Fpz (N)	Max. Permissible Loads Moments Mpx (Nm)	Max. Permissible Loads Moments Mpy (Nm)	Max. Permissible Loads Moments Mpz (Nm)
CTV 145 S - 20 x 5	34.2 × A (mm)	17870	30640	1350	15.3 × A (mm)	8.9 × A (mm)
CTV 145 S - 20 x 10	34.2 × A (mm)	17870	30640	1350	15.3 × A (mm)	8.9 × A (mm)
CTV 145 S - 20 x 20	34.2 × A (mm)	17870	30640	1350	15.3 × A (mm)	8.9 × A (mm)
CTV 145 S - 20 x 50	34.2 × A (mm)	17870	30640	1350	15.3 × A (mm)	8.9 × A (mm)
CTV 145 L - 20 x 5	34.2 × A (mm)	17870	30640	1350	15.3 × A (mm)	8.9 × A (mm)
CTV 145 L - 20 x 10	34.2 × A (mm)	17870	30640	1350	15.3 × A (mm)	8.9 × A (mm)

Designation	Dynamic Moment Mz (Nm)	Max. Permissible Loads Forces Fpy (N)	Max. Permissible Loads Forces Fpz (N)	Max. Permissible Loads Moments Mpx (Nm)	Max. Permissible Loads Moments Mpy (Nm)	Max. Permissible Loads Moments Mpz (Nm)
CTV 145 L - 20 x 20	$34.2 \times A$ (mm)	17870	30640	1350	$15.3 \times A$ (mm)	$8.9 \times A$ (mm)
CTV 145 L - 20 x 50	$34.2 \times A$ (mm)	17870	30640	1350	$15.3 \times A$ (mm)	$8.9 \times A$ (mm)

## Drive data



Max. travel speed depends of the length of the linear unit, see diagram for particular size of the linear unit. For travel speed over the stated value, please contact Rollco.

The stated values are for strokes up to 500 mm. No load torque value increases with stroke elongation.

For the ball nut with the preload of 2%, please contact Rollco.

For minimum stroke below the stated value, please contact Rollco.

Max. acceleration (m/s<sup>2</sup>): 20

For acceleration over the stated value, please contact Rollco.

Reduced effective diameter at journal with keyway decreases values of max. drive torque. See Max. Drive torque values in table below.

nc = Number of carriages

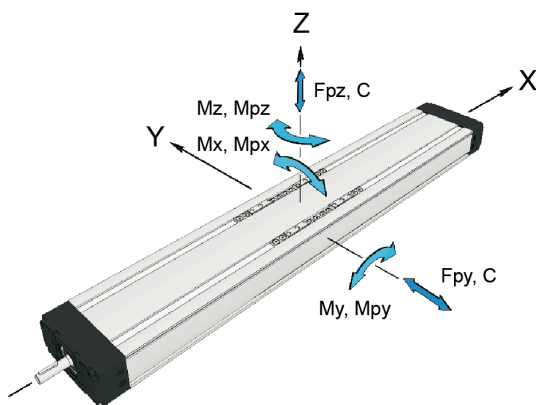
Designation	Max. Travel Speed (m/s)	Max. Rotational Speed (rev/min)	Max. Drive Torque Ma (Nm)	Lead Constant (mm/rev)	No Load Torque Carriage S (Nm)
CTV 145 S - 20 x 5	0.28	3300	11,9 (w. keyway), 13 (w.o keyway)	5	$0.30 \times nc$
CTV 145 S - 20 x 10	0.55	3300	11,9 (w. keyway), 24,5 (w.o keyway)	10	$0.32 \times nc$
CTV 145 S - 20 x 20	1.1	3300	11,9 (w. keyway), 24,5 (w.o keyway)	20	$0.45 \times nc$
CTV 145 S - 20 x 50	2.5	3300	11,9 (w. keyway), 24,5 (w.o keyway)	50	$0.80 \times nc$
CTV 145 L - 20 x 5	0.28	3300	11,9 (w. keyway), 13 (w.o keyway)	5	$0.30 \times nc$
CTV 145 L - 20 x 10	0.55	3300	11,9 (w. keyway), 24,5 (w.o keyway)	10	$0.32 \times nc$
CTV 145 L - 20 x 20	1.1	3300	11,9 (w. keyway), 24,5 (w.o keyway)	20	$0.45 \times nc$
CTV 145 L - 20 x 50	2.5	3000	11,9 (w. keyway), 24,5 (w.o keyway)	50	$0.80 \times nc$

Designation	No Load Torque Carriage L (Nm)	Ball Screw (d x l)	Max. Repeatability Precision Standard ISO7	Max. Repeatability Precision ISO5	Dynamic Load Capacity BS Ca (N)	Max. Axial Load Fx (N)
CTV 145 S - 20 x 5	$0.35 \times nc$	20 x 5	$\pm 0.02$	$\pm 0.01$	14800	14800
CTV 145 S - 20 x 10	$0.37 \times nc$	20 x 10	$\pm 0.02$	$\pm 0.01$	15900	13850
CTV 145 S - 20 x 20	$0.50 \times nc$	20 x 20	$\pm 0.02$	$\pm 0.01$	16250	6930
CTV 145 S - 20 x 50	$0.85 \times nc$	20 x 50	$\pm 0.02$	$\pm 0.01$	13000	2770
CTV 145 L - 20 x 5	$0.35 \times nc$	20 x 5	$\pm 0.02$	$\pm 0.01$	14800	14800
CTV 145 L - 20 x 10	$0.37 \times nc$	20 x 10	$\pm 0.02$	$\pm 0.01$	15900	13850
CTV 145 L - 20 x 20	$0.50 \times nc$	20 x 20	$\pm 0.02$	$\pm 0.01$	16250	6930

Designation	No Load Torque Carriage L (Nm)	Ball Screw (d x l)	Max. Repeatability Precision Standard ISO7	Max. Repeatability Precision ISO5	Dynamic Load Capacity BS Ca (N)	Max. Axial Load Fx (N)
CTV 145 L - 20 x 50	0.85 × nc	20 × 50	± 0.02	± 0.01	13000	2770

Designation	Planar Moment of Inertia Iy (cm <sup>4</sup> )	Planar Moment of Inertia Iz (cm <sup>4</sup> )
CTV 145 S - 20 x 5	85.3	682.3
CTV 145 S - 20 x 10	85.3	682.3
CTV 145 S - 20 x 20	85.3	682.3
CTV 145 S - 20 x 50	85.3	682.3
CTV 145 L - 20 x 5	85.3	682.3
CTV 145 L - 20 x 10	85.3	682.3
CTV 145 L - 20 x 20	85.3	682.3
CTV 145 L - 20 x 50	85.3	682.3

## Mass and Mass moment



Mass calculation does not include mass of motor, reduction gear, switches and clamps.

Abs. stroke	Absolute stroke [mm]
A	Distance between carriages [mm]
nc	Number of carriages

Designation	Ball Screw (d x l)	Mass of Linear Unit (kg)	Mass Moment of Inertia (10 <sup>-5</sup> kg m <sup>2</sup> )	Planar Moment of Inertia Iy (cm <sup>4</sup> )	Planar Moment of Inertia Iz (cm <sup>4</sup> )
CTV 145 S - 20 x 5	20 × 5	$5.7 + 0.015 \times (\text{Abs. Stroke} + (\text{nc} - 1) \times A) + 1.19 \times (\text{nc} - 1)$	$3.04 + 0.013 \times (\text{Abs. Stroke} + (\text{nc} - 1) \times A) + 0.08 \times (\text{nc} - 1)$	85.3	682.3
CTV 145 S - 20 x 10	20 × 10	$5.7 + 0.015 \times (\text{Abs. Stroke} + (\text{nc} - 1) \times A) + 1.19 \times (\text{nc} - 1)$	$3.27 + 0.013 \times (\text{Abs. Stroke} + (\text{nc} - 1) \times A) + 0.30 \times (\text{nc} - 1)$	85.3	682.3
CTV 145 S - 20 x 20	20 × 20	$5.7 + 0.015 \times (\text{Abs. Stroke} + (\text{nc} - 1) \times A) + 1.19 \times (\text{nc} - 1)$	$4.17 + 0.013 \times (\text{Abs. Stroke} + (\text{nc} - 1) \times A) + 1.21 \times (\text{nc} - 1)$	85.3	682.3
CTV 145 S - 20 x 50	20 × 50	$5.7 + 0.015 \times (\text{Abs. Stroke} + (\text{nc} - 1) \times A) + 1.19 \times (\text{nc} - 1)$	$10.50 + 0.013 \times (\text{Abs. Stroke} + (\text{nc} - 1) \times A) + 7.54 \times (\text{nc} - 1)$	85.3	682.3
CTV 145 L - 20 x 5	20 × 5	$8.4 + 0.015 \times (\text{Abs. Stroke} + (\text{nc} - 1) \times A) + 2.61 \times (\text{nc} - 1)$	$4.43 + 0.013 \times (\text{Abs. Stroke} + (\text{nc} - 1) \times A) + 0.17 \times (\text{nc} - 1)$	85.3	682.3
CTV 145 L - 20 x 10	20 × 10	$8.4 + 0.015 \times (\text{Abs. Stroke} + (\text{nc} - 1) \times A) + 2.61 \times (\text{nc} - 1)$	$4.92 + 0.013 \times (\text{Abs. Stroke} + (\text{nc} - 1) \times A) + 0.66 \times (\text{nc} - 1)$	85.3	682.3
CTV 145 L - 20 x 20	20 × 20	$8.4 + 0.015 \times (\text{Abs. Stroke} + (\text{nc} - 1) \times A) + 2.61 \times (\text{nc} - 1)$	$6.91 + 0.013 \times (\text{Abs. Stroke} + (\text{nc} - 1) \times A) + 2.64 \times (\text{nc} - 1)$	85.3	682.3

Designation	Ball Screw (d x l)	Mass of Linear Unit (kg)	Mass Moment of Inertia (10 <sup>-5</sup> kg m <sup>2</sup> )	Planar Moment of Inertia I <sub>y</sub> (cm <sup>4</sup> )	Planar Moment of Inertia I <sub>z</sub> (cm <sup>4</sup> )
CTV 145 L - 20 x 50	20 x 50	$8.4 + 0.015 \times (\text{Abs. Stroke} + (nc - 1) \times A) + 2.61 \times (nc - 1)$	$20.79 + 0.013 \times (\text{Abs. Stroke} + (nc - 1) \times A) + 16.53 \times (nc - 1)$	85.3	682.3

Designation	Moved Mass (kg)
CTV 145 S - 20 x 5	1.19
CTV 145 S - 20 x 10	1.19
CTV 145 S - 20 x 20	1.19
CTV 145 S - 20 x 50	1.19
CTV 145 L - 20 x 5	2.61
CTV 145 L - 20 x 10	2.61
CTV 145 L - 20 x 20	2.61
CTV 145 L - 20 x 50	2.61