

FK

Dimensions in mm.

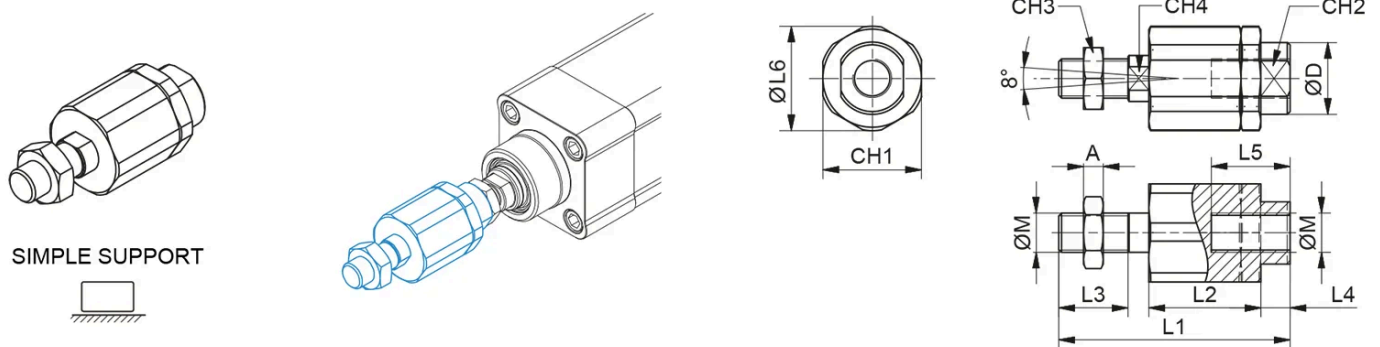
Material: Galvanized steel



General Data

Designation	Description	Compatible with	Fmax (N)	Mass (kg)
FK 32 - 5466	FK 32	PNCE 32	F PNCE	0.22
FK 40 - 5468	FK 40	PNCE 40	5000	0.23
FK 50 - 5470	FK 50	PNCE 50	10000	0.66
FK 63 - 5470	FK 63	PNCE 63	10000	0.66
FK 80 - 5471	FK 80	PNCE 80	10000	0.7
FK 100 - 5471	FK 100	PNCE 100	10000	0.7

Dimensions



Designation	M	L1	L2	L3	L4	L5	L6	A	D
FK 32 - 5466	Ø M10 × 1.25	71	35	20	11	23	Ø 32	6	Ø 22
FK 40 - 5468	Ø M12 × 1.25	75	35	24	11	23	Ø 32	7	Ø 22
FK 50 - 5470	Ø M16 × 1.5	103	54	32	9	32	Ø 45	8	Ø 32
FK 63 - 5470	Ø M16 × 1.5	103	54	32	9	32	Ø 45	8	Ø 32
FK 80 - 5471	Ø M20 × 1.5	119	54	40	17	39	Ø 45	9	Ø 32
FK 100 - 5471	Ø M20 × 1.5	119	54	40	17	39	Ø 45	9	Ø 32

Designation	CH1	CH2	CH3	CH4
FK 32 - 5466	30	19	17	12
FK 40 - 5468	30	19	19	12
FK 50 - 5470	41	27	24	20
FK 63 - 5470	41	27	24	20
FK 80 - 5471	41	27	30	20
FK 100 - 5471	41	27	30	20