

HGL

Dimensions in mm.

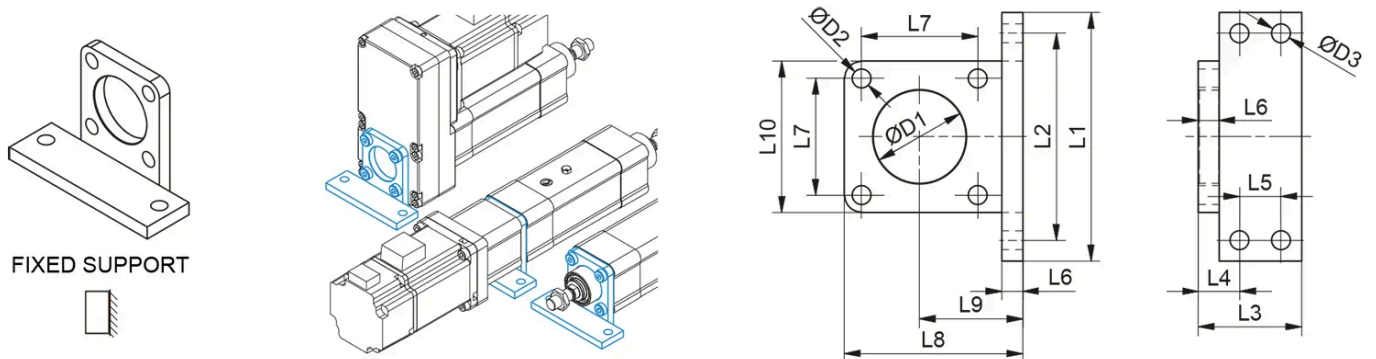
Material: Galvanized steel



General Data

Designation	Description	Compatible with	Type	Fmax (N)	Mass (kg)
HGL 32 - 69162	HGL 32	PNCE 32	Front cap / Motor adapter mounting	F PNCE	0.2
HGL 32 MSD - 69613	HGL 32 MSD	PNCE 32	Motor side drive type T1 mounting	F PNCE	0.2
HGL 40 - 69163	HGL 40	PNCE 40	Front cap / Motor adapter mounting	5100	0.24
HGL 40 MSD - 69614	HGL 40 MSD	PNCE 40	Motor side drive type T1 mounting	5100	0.24
HGL 50 - 69164	HGL 50	PNCE 50	Front cap / Motor adapter mounting	11100	0.56
HGL 50 MSD - 69615	HGL 50 MSD	PNCE 50	Motor side drive type T1 mounting	11100	0.56
HGL 63 - 69165	HGL 63	PNCE 63	Front cap / Motor adapter mounting	11100	0.81
HGL 63 MSD - 69616	HGL 63 MSD	PNCE 63	Motor side drive type T1 mounting	11100	0.81

Dimensions



Designation	L1	L2	L3	L4	L5	L6	L7	L8	L9
HGL 32 - 69162	79	65	30	16	-	6 (±0.5)	32.5	55.5	32 (±0.1)
HGL 32 MSD - 69613	79	65	30	16	-	6 (±0.5)	32.5	55.5	32 (±0.1)
HGL 40 - 69163	90	75	30	16	-	6 (±0.5)	38	63	36 (±0.1)
HGL 40 MSD - 69614	90	75	30	16	-	6 (±0.5)	38	63	36 (±0.1)
HGL 50 - 69164	110	90	35	19	-	10 (±0.5)	46.5	77.5	45 (±0.1)
HGL 50 MSD - 69615	110	90	35	19	-	10 (±0.5)	46.5	77.5	45 (±0.1)
HGL 63 - 69165	120	100	50	20	20	10 (±0.5)	56.5	87.5	50 (±0.1)
HGL 63 MSD - 69616	120	100	50	20	20	10 (±0.5)	56.5	87.5	50 (±0.1)

Designation	L10	L11	D1	D2	D3
HGL 32 - 69162	47	6 (±0.5)	Ø 30 (H11)	Ø 7 (H13)	Ø 7 (H13)
HGL 32 MSD - 69613	47	6 (±0.5)	Ø 30 (H11)	Ø 7 (H13)	Ø 7 (H13)
HGL 40 - 69163	54	6 (±0.5)	Ø 35 (H11)	Ø 7 (H13)	Ø 9 (H13)
HGL 40 MSD - 69614	54	6 (±0.5)	Ø 35 (H11)	Ø 7 (H13)	Ø 9 (H13)
HGL 50 - 69164	65	10 (±0.5)	Ø 40 (H11)	Ø 9 (H13)	Ø 9 (H13)
HGL 50 MSD - 69615	65	10 (±0.5)	Ø 40 (H11)	Ø 9 (H13)	Ø 9 (H13)
HGL 63 - 69165	75	10 (±0.5)	Ø 45 (H11)	Ø 9 (H13)	Ø 9 (H13)
HGL 63 MSD - 69616	75	10 (±0.5)	Ø 45 (H11)	Ø 9 (H13)	Ø 9 (H13)