

SGL

Dimensions in mm.

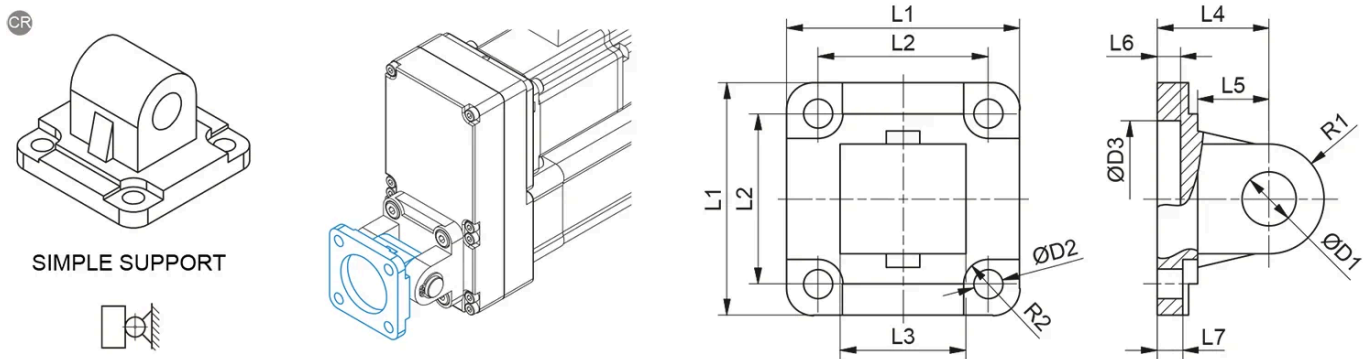
Material: Aluminium or stainless steel AISI 304



General Data

Designation	Description	Compatible with	Material	Fmax (N)	Mass (kg)
SGL 32 - 9176	SGL 32	PNCE 32	Aluminium	F PNCE	0.08
SGL 32 CR - 69500	SGL 32 CR	PNCE 32	Stainless steel AISI 304	F PNCE	0.21
SGL 40 - 9178	SGL 40	PNCE 40	Aluminium	F PNCE	0.11
SGL 40 CR - 69501	SGL 40 CR	PNCE 40	Stainless steel AISI 304	F PNCE	0.3
SGL 50 - 9180	SGL 50	PNCE 50	Aluminium	9200	0.18
SGL 50 CR - 69502	SGL 50 CR	PNCE 50	Stainless steel AISI 304	9200	0.43
SGL 63 - 9182	SGL 63	PNCE 63	Aluminium	14300	0.27
SGL 63 CR - 69503	SGL 63 CR	PNCE 63	Stainless steel AISI 304	14300	0.74
SGL 80 - 9184	SGL 80	PNCE 80	Aluminium	19200	0.47
SGL 80 CR - 83091	SGL 80 CR	PNCE 80	Stainless steel AISI 304	19200	1.31
SGL 100 - 9168	SGL 100	PNCE 100	Aluminium	27100	0.79
SGL 100 CR - 83092	SGL 100 CR	PNCE 100	Stainless steel AISI 304	27100	2.21

Dimensions



SIMPLE SUPPORT

Designation	L1	L2	L3	L4	L5	L6	L7	D1	D2
SGL 32 - 9176	45	32.5	26	22 (±0.2)	13	5	5.5	Ø 10 (H9)	Ø 6.6 (H13)
SGL 32 CR - 69500	45	32.5	26	22 (±0.2)	13	5	5.5	Ø 10 (H9)	Ø 6.6 (H13)
SGL 40 - 9178	52	38	28	25 (±0.2)	16	5	5.5	Ø 12 (H9)	Ø 6.6 (H13)
SGL 40 CR - 69501	52	38	28	25 (±0.2)	16	5	5.5	Ø 12 (H9)	Ø 6.6 (H13)
SGL 50 - 9180	65	46.5	32	27 (±0.2)	16	5	6.5	Ø 12 (H9)	Ø 9 (H13)
SGL 50 CR - 69502	65	46.5	32	27 (±0.2)	16	5	6.5	Ø 12 (H9)	Ø 9 (H13)
SGL 63 - 9182	75	56.5	40	32 (±0.2)	21	5	6.5	Ø 16 (H9)	Ø 9 (H13)
SGL 63 CR - 69503	75	56.5	40	32 (±0.2)	21	5	6.5	Ø 16 (H9)	Ø 9 (H13)
SGL 80 - 9184	93	72	50	36 (±0.2)	22	5	10	Ø 16 (H9)	Ø 11 (H13)
SGL 80 CR - 83091	93	72	50	36 (±0.2)	22	5	10	Ø 16 (H9)	Ø 11 (H13)
SGL 100 - 9168	110	89	60	41 (±0.2)	27	5	10	Ø 20 (H9)	Ø 11 (H13)
SGL 100 CR - 83092	110	89	60	41 (±0.2)	27	5	10	Ø 20 (H9)	Ø 11 (H13)

Designation	D3	R1	R2
SGL 32 - 9176	Ø 30 (H11)	10	5.5
SGL 32 CR - 69500	Ø 30 (H11)	10	5.5
SGL 40 - 9178	Ø 35 (H11)	12	5.5

Designation	D3	R1	R2
SGL 40 CR - 69501	Ø 35 (H11)	12	5.5
SGL 50 - 9180	Ø 40 (H11)	12	7.5
SGL 50 CR - 69502	Ø 40 (H11)	12	7.5
SGL 63 - 9182	Ø 45 (H11)	16	7.5
SGL 63 CR - 69503	Ø 45 (H11)	16	7.5
SGL 80 - 9184	Ø 45 (H11)	16	9
SGL 80 CR - 83091	Ø 45 (H11)	16	9
SGL 100 - 9168	Ø 55 (H11)	20	9
SGL 100 CR - 83092	Ø 55 (H11)	20	9