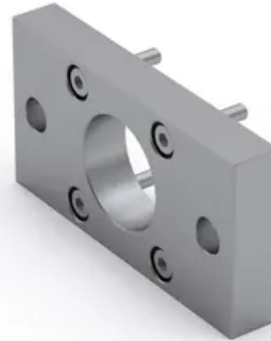


Flange mounting MAFL

Dimensions in mm.

Mounting screws are included.

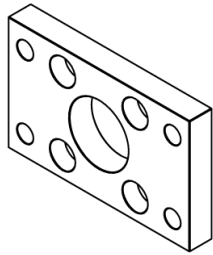
Material: Anodized aluminium



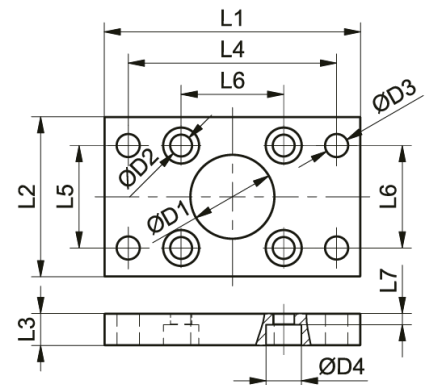
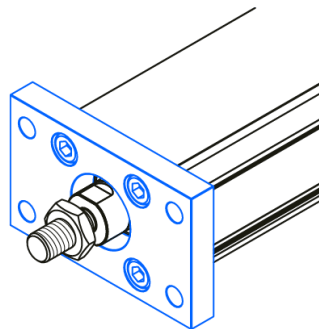
General Data

| Designation | Description | Compatible with | Material | Fmax (N) | Mass (kg) |
|------------------|-------------|-----------------|--------------------|----------|-----------|
| MAFL 25 - 108624 | MAFL 25 | MCE 25 | Anodized aluminium | F MCE | 0.03 |
| MAFL 32 - 108625 | MAFL 32 | MCE 32 | Anodized aluminium | F MCE | 0.06 |
| MAFL 45 - 108626 | MAFL 45 | MCE 45 | Anodized aluminium | F MCE | 0.11 |

Dimensions



Fixed support



| Designation | L1 | L2 | L3 | L4 | L5 | L6 | L7 | D1 | D2 |
|------------------|----|----|----|----|----|----|-----|----|-----|
| MAFL 25 - 108624 | 55 | 29 | 8 | 43 | - | 21 | 5.1 | 18 | 2.9 |
| MAFL 32 - 108625 | 70 | 36 | 10 | 55 | - | 22 | 5.5 | 20 | 4.5 |
| MAFL 45 - 108626 | 80 | 50 | 10 | 65 | 32 | 32 | 3.5 | 26 | 6.6 |

| Designation | D3 | D4 |
|------------------|-----|-----|
| MAFL 25 - 108624 | 5.5 | 5.5 |
| MAFL 32 - 108625 | 6.5 | 8 |
| MAFL 45 - 108626 | 7 | 11 |