

Magnetic field sensors

Magnetic field sensors can be mounted by using the slot for the magnetic field sensor placed on the sides of the MCE/MSCE profile.

For the MCE/MSCE size of 25, mounting of the magnetic field sensor requires an HMG sensor holder.

Protection Class: IP67

Ambient Temperature (°C): -10 ~ +70

Cable material length: PUR, 150 mm

Current consumption: 6 mA @ 24 V DC max.

Electrical connection: M8, 3-pin

Extension cable: Energy chain compliant

Function principle: Magnetic

LED indicator: Green

Max. Leakage Current (mA): 0.01

Max. Power Rating (W): 6

Max. Switching Current (mA): 200

Operating Voltage (V DC): 5 ~ 30

Sensor Type: PNP current sourcing

Shock/vibration: 50 G / 9 G

Switching Frequency (Hz): 1000

Switching function: NC or NO

Voltage drop: 0.5 V @ 200 mA max.

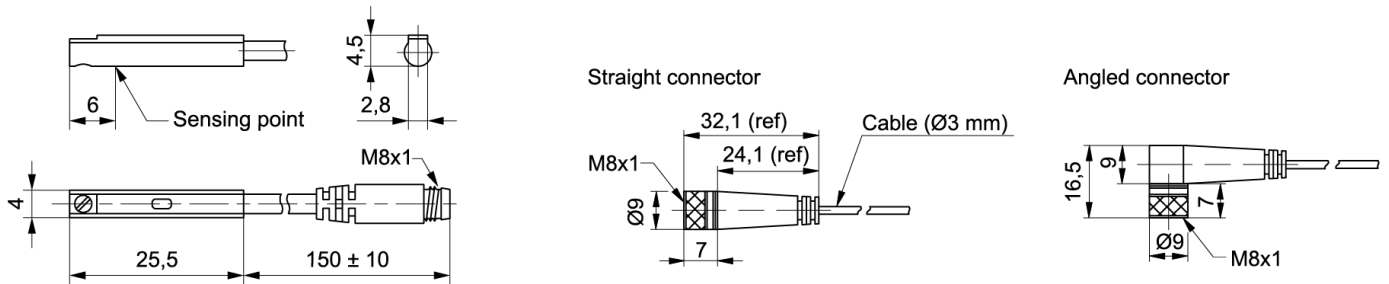
Wiring method: 3-wire type



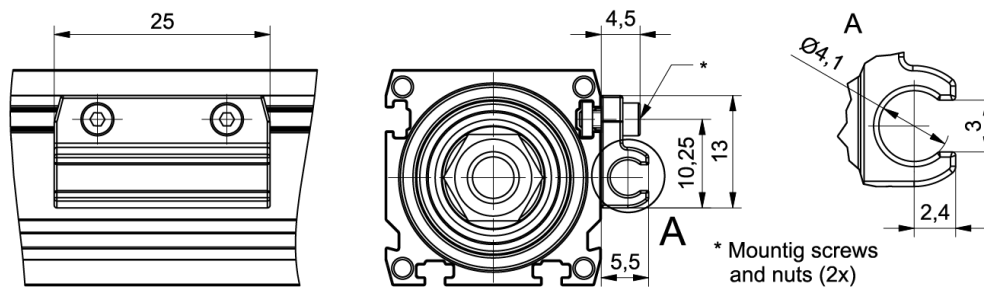


General Data

SMO-40TP-K

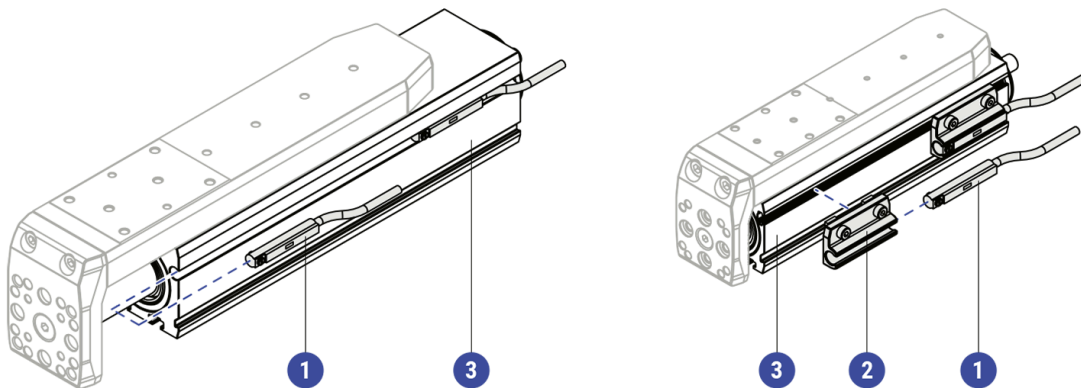


Sensor holder HMG 25



MCE/MSCE 32, 45

MCE/MSCE 25



- 1 - Magnetic field sensor.
- 2 - Sensor holder HMG.
- 3 - Profile of the mini electric cylinder MCE or slider MSCE.

Designation	Description	Compatible with	Type	Material	Cable Length (m)
SMO-40TP-K NC - 109125	NC-normally close	MCE/MSCE series	Magnetic sensor	-	-
SMO-40TP-K NO - 12259	NO-normally open	MCE/MSCE series	Magnetic sensor	-	-
HMG 25 - 109101	-	MCE/MSCE 25	Sensor holder	Powder coated zinc alloy	-

Designation	Description	Compatible with	Type	Material	Cable Length (m)
Cable - 8146	-	SMO-40TP-K NC / SMO-40TP-K NO	Straight connector extension cable	-	2
Cable - 8147	-	SMO-40TP-K NC / SMO-40TP-K NO	Straight connector extension cable	-	5
Cable - 9017	-	SMO-40TP-K NC / SMO-40TP-K NO	Angled connector extension cable	-	2
Cable - 9019	-	SMO-40TP-K NC / SMO-40TP-K NO	Angled connector extension cable	-	5