

ASN35

Partial extension consisting of a guide rail and a slider. This compact size and simple design allow very high load capacities. The high system rigidity is formed in connection with the adjacent construction.

Special strokes are defined as deviations from standard stroke H. See section "Special strokes" in the document Technical Information for Telescopic Rail Heavy.

Dimensions in mm.

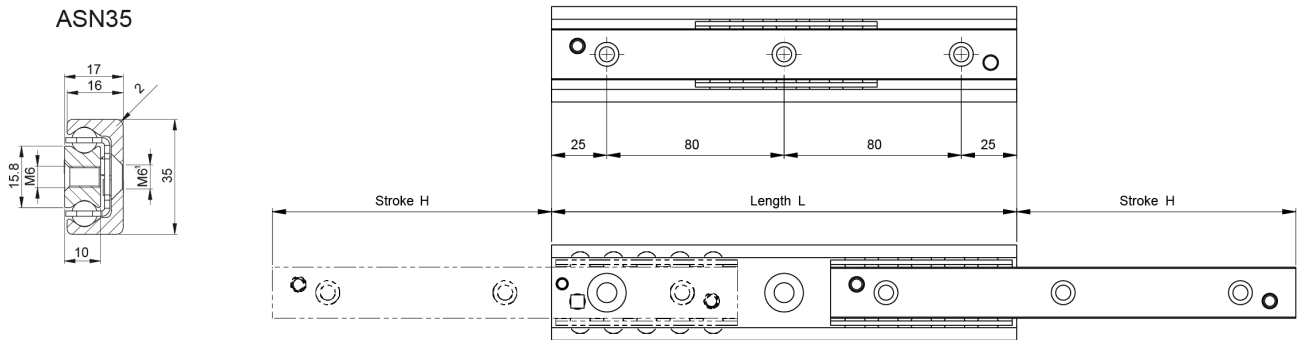
System Load Capacity Radial, System Load Capacity Axial, System Moment Capacity My and System Moment Capacity Mz values refers to a pair of rails.

Mx moment value refers to a single rail. The Mx system capacity depends on the width of the system and the load capacity radial.

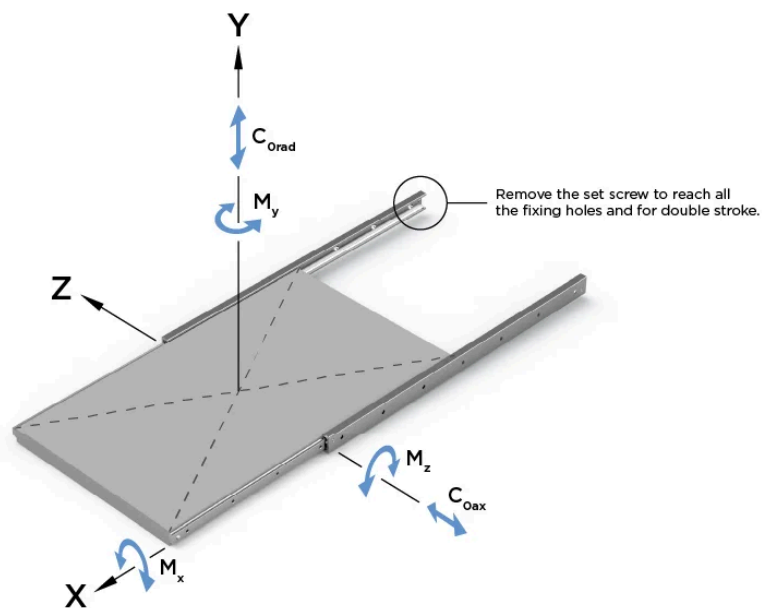
See Technical Information for further details, operating conditions and installation instructions.



General Data



* Fixing holes for countersunk head screws according to DIN 7991.



Designation	Length	Stroke	Weight (kg/m)	System Load Capacity Radial (N)	System Load Capacity Axial (N)
ASN35-210	210	127	3.05	2130	1492
ASN35-290	290	159	3.05	4120	2884
ASN35-370	370	203	3.05	5276	3694
ASN35-450	450	247	3.05	6434	4504
ASN35-530	530	279	3.05	8564	5994
ASN35-610	610	323	3.05	9716	6802
ASN35-690	690	367	3.05	10870	7608
ASN35-770	770	399	3.05	13042	9130
ASN35-850	850	443	3.05	14190	9932
ASN35-930	930	487	3.05	15338	10736
ASN35-1010	1010	519	3.05	17530	12272
ASN35-1090	1090	563	3.05	18674	13072
ASN35-1170	1170	607	3.05	19818	13874
ASN35-1250	1250	639	3.05	22024	15416
ASN35-1330	1330	683	3.05	23164	16214
ASN35-1410	1410	727	3.05	24306	17014

Designation	Length	Stroke	Weight (kg/m)	System Load Capacity Radial (N)	System Load Capacity Axial (N)
ASN35-1490	1490	759	3.05	26520	18564

Designation	System Moment Capacity My (Nm)	System Moment Capacity Mz (Nm)	Mx moment (Nm)	Number of Fixing Holes
ASN35-210	114	164	29.4	3
ASN35-290	292	416	46.9	4
ASN35-370	476	680	59.9	5
ASN35-450	708	1010	73	6
ASN35-530	1086	1550	90.4	7
ASN35-610	1422	2030	103.5	8
ASN35-690	1804	2576	116.6	9
ASN35-770	2382	3404	134	10
ASN35-850	2870	4100	147.1	11
ASN35-930	3404	4862	160.2	12
ASN35-1010	4184	5978	177.6	13
ASN35-1090	4824	6890	190.7	14
ASN35-1170	5508	7868	203.8	15
ASN35-1250	6490	9272	221.2	16
ASN35-1330	7280	10400	234.3	17
ASN35-1410	8116	11594	247.4	18
ASN35-1490	9300	13286	264.8	19