

ASN63

Partial extension consisting of a guide rail and a slider. This compact size and simple design allow very high load capacities. The high system rigidity is formed in connection with the adjacent construction.

Special strokes are defined as deviations from standard stroke H. See section "Special strokes" in the document Technical Information for Telescopic Rail Heavy.

Dimensions in mm.

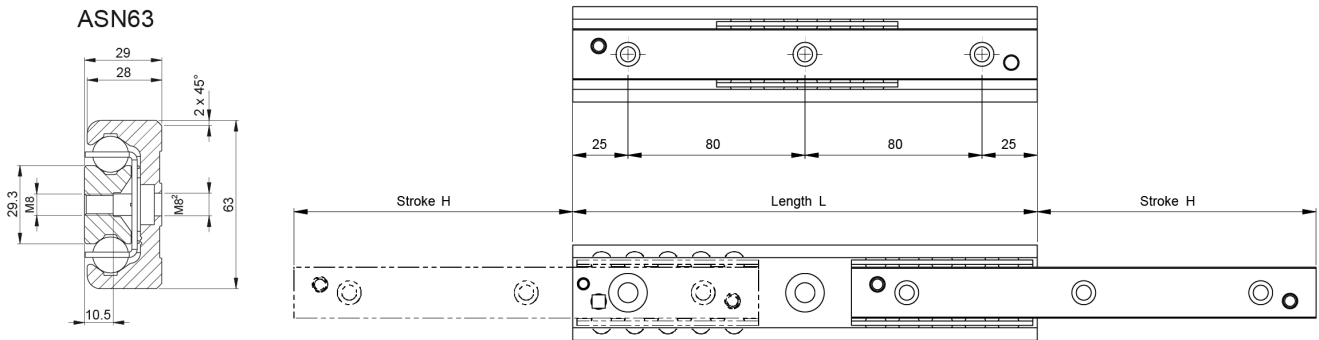
System Load Capacity Radial, System Load Capacity Axial, System Moment Capacity My and System Moment Capacity Mz values refers to a pair of rails.

Mx moment value refers to a single rail. The Mx system capacity depends on the width of the system and the load capacity radial.

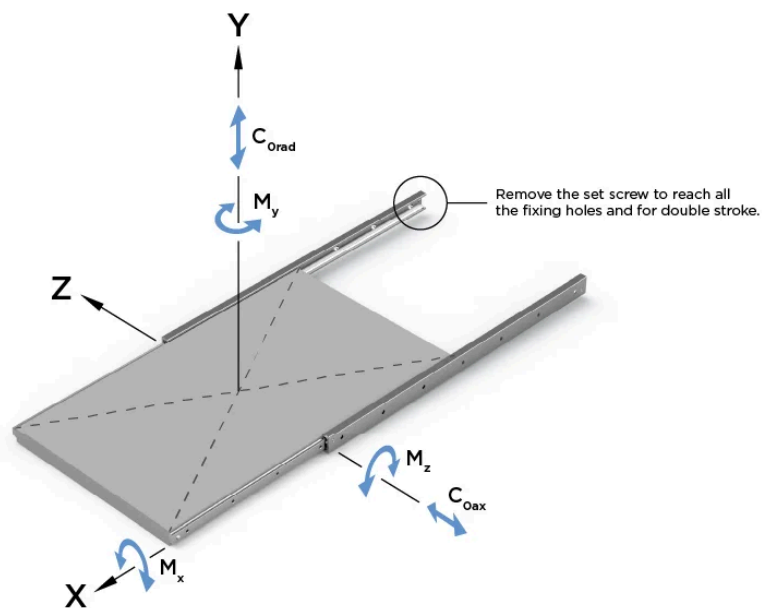
See Technical Information for further details, operating conditions and installation instructions.



General Data



² Fixing holes for socket cap screws according to DIN 7984.



Designation	Length	Stroke	Weight (kg/m)	System Load Capacity Radial (N)	System Load Capacity Axial (N)
ASN63-610	610	333	10.3	21182	14828
ASN63-690	690	373	10.3	25068	17548
ASN63-770	770	413	10.3	28978	20284
ASN63-850	850	453	10.3	32904	23032
ASN63-930	930	493	10.3	36842	25790
ASN63-1010	1010	533	10.3	40790	28554
ASN63-1090	1090	573	10.3	44746	31322
ASN63-1170	1170	613	10.3	48708	34096
ASN63-1250	1250	653	10.3	52674	36872
ASN63-1330	1330	693	10.3	56644	39650
ASN63-1410	1410	733	10.3	60618	42432
ASN63-1490	1490	773	10.3	64594	45216
ASN63-1570	1570	813	10.3	68574	48002
ASN63-1650	1650	853	10.3	72554	50788
ASN63-1730	1730	893	10.3	76536	53576
ASN63-1810	1810	933	10.3	80522	56364
ASN63-1890	1890	973	10.3	84506	59154

Designation	Length	Stroke	Weight (kg/m)	System Load Capacity Radial (N)	System Load Capacity Axial (N)
ASN63-1970	1970	1013	10.3	88494	61946

Designation	System Moment Capacity My (Nm)	System Moment Capacity Mz (Nm)	Mx moment (Nm)	Number of Fixing Holes
ASN63-610	3106	4438	474	8
ASN63-690	4144	5920	547.5	9
ASN63-770	5332	7616	621	10
ASN63-850	6668	9526	294.5	11
ASN63-930	8154	11648	768	12
ASN63-1010	9788	13984	841.4	13
ASN63-1090	11574	16534	914.9	14
ASN63-1170	13508	19296	988.4	15
ASN63-1250	15590	22272	1061.9	16
ASN63-1330	17824	25462	1135.4	17
ASN63-1410	20204	28864	1208.9	18
ASN63-1490	22736	32480	1282.4	19
ASN63-1570	25416	36310	1355.9	20
ASN63-1650	28246	40352	1429.4	21
ASN63-1730	31226	44608	1502.8	22
ASN63-1810	34354	49078	1576.3	23
ASN63-1890	37632	53760	1649.8	24
ASN63-1970	41060	58656	1723.3	25