

DBN43

Full extension consisting of two guide rails, both fixed and movable, and two sliders which together form the intermediate element. The size is similar to the DE series and offers good protection from dirt of the open ballcage.

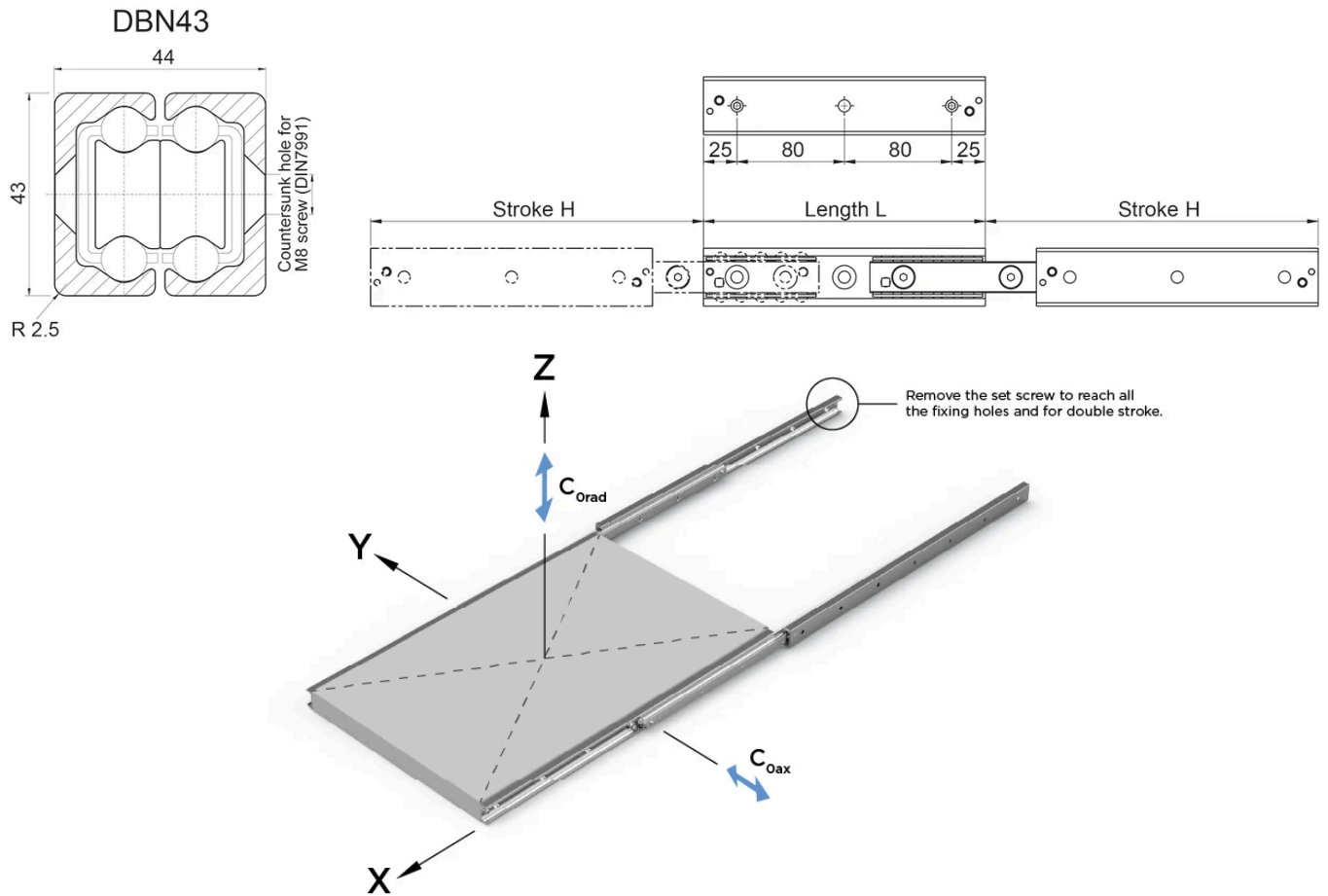
Special strokes are defined as deviations from standard stroke H. See section "Special strokes" in the document Technical Information for Telescopic Rail Heavy.

System Load Capacity Radial and System Load Capacity Axial values refers to a pair of rails. Dimensions in mm.

See Technical Information for further details, operating conditions and installation instructions.



General Data



Designation	Length	Stroke	Weight (kg/m)	System Load Capacity Radial (N)	System Load Capacity Axial (N)
DBN43-210	210	246	10.5	1210	848
DBN43-290	290	316	10.5	2228	1560
DBN43-370	370	416	10.5	2600	1820
DBN43-450	450	486	10.5	2662	2558
DBN43-530	530	556	10.5	2386	2386
DBN43-610	610	626	10.5	2164	2164
DBN43-690	690	726	10.5	1824	1824
DBN43-770	770	796	10.5	1690	1690
DBN43-850	850	866	10.5	1576	1576
DBN43-930	930	966	10.5	1386	1386
DBN43-1010	1010	1036	10.5	1308	1308
DBN43-1090	1090	1106	10.5	1238	1238
DBN43-1170	1170	1206	10.5	1118	1118
DBN43-1250	1250	1276	10.5	1066	1066
DBN43-1330	1330	1376	10.5	976	976
DBN43-1410	1410	1446	10.5	938	938
DBN43-1490	1490	1516	10.5	900	900
DBN43-1570	1570	1586	10.5	868	868
DBN43-1650	1650	1686	10.5	806	806
DBN43-1730	1730	1756	10.5	780	780

Designation	Length	Stroke	Weight (kg/m)	System Load Capacity Radial (N)	System Load Capacity Axial (N)
DBN43-1810	1810	1856	10.5	730	730
DBN43-1890	1890	1936	10.5	708	708
DBN43-1970	1970	2026	10.5	668	668

Designation	Number of Fixing Holes
DBN43-210	3
DBN43-290	4
DBN43-370	5
DBN43-450	6
DBN43-530	7
DBN43-610	8
DBN43-690	9
DBN43-770	10
DBN43-850	11
DBN43-930	12
DBN43-1010	13
DBN43-1090	14
DBN43-1170	15
DBN43-1250	16
DBN43-1330	17
DBN43-1410	18
DBN43-1490	19
DBN43-1570	20
DBN43-1650	21
DBN43-1730	22
DBN43-1810	23
DBN43-1890	24
DBN43-1970	25