

5040 - 140% Extension

The 5040 is a 4 beam version of the 5030. The main feature of this slide is the capability to extend up to 140% enabling full access to the rear of the equipment. Carrying loads up to 170 kg per pair. Standard lengths 300 to 1000 mm in 50 mm increments.

All dimensions in mm.

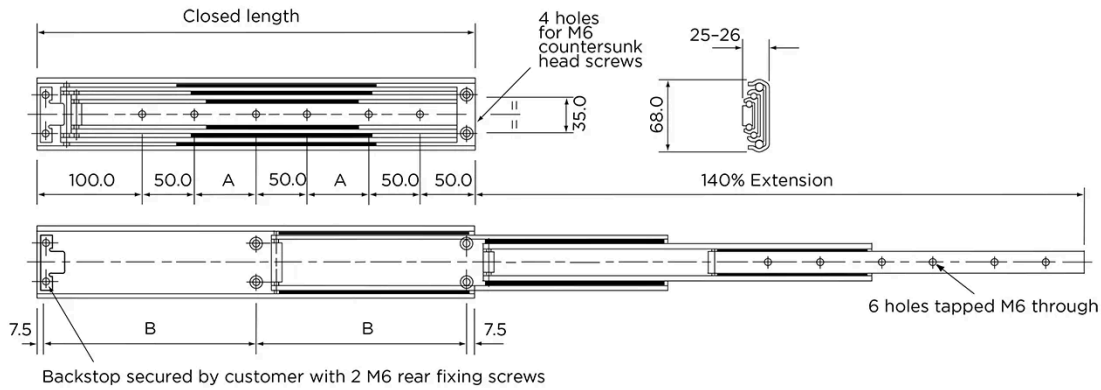
System Load Capacity value refers to a pair of rails at full extension.

Material: Cold-drawn steel profile, zinc plated

Extension: 140%



Dimensions



Designation	A	B
5040-300-140	-	142.5
5040-350-140	25	167.5
5040-400-140	50	192.5
5040-450-140	75	217.5
5040-500-140	100	242.5
5040-550-140	125	267.5
5040-600-140	150	292.5
5040-650-140	175	317.5
5040-700-140	200	342.5
5040-750-140	225	367.5
5040-800-140	250	392.5
5040-850-140	275	417.5
5040-900-140	300	442.5
5040-950-140	325	467.5
5040-1000-140	350	492.5