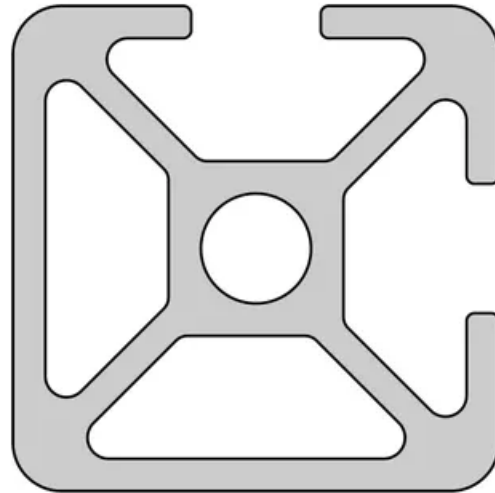
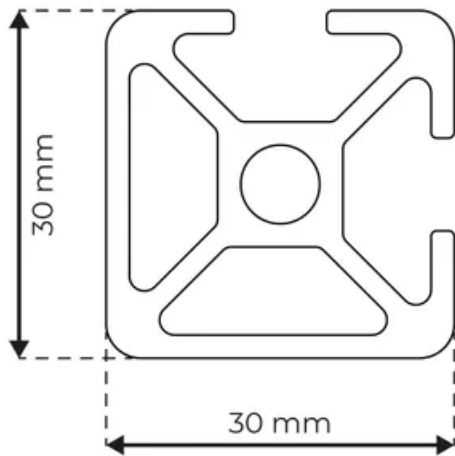


Profile 8 30x30 Light 2N90

System: 30 - Slot 8
Dimensions: 30x30
Length (mm): 6000
Material Quality: Light
Profile Type: Closed





General Data

Designation	System	I_x (cm ⁴)	I_y (cm ⁴)	W_x (cm ³)	W_y (cm ³)
RP2050	30 - Slot 8	3.44	3.44	2.20	2.20

Designation	A (cm ²)	Mass (kg/m)
RP2050	3.64	0.99