

## Adjustable Levelling Foot

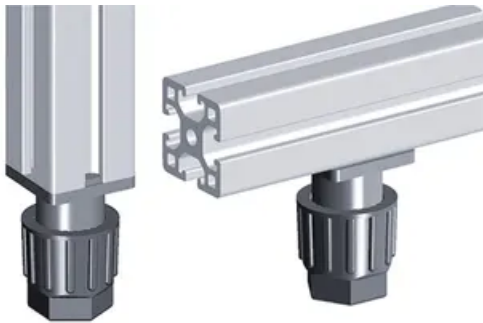
Compact levelling knuckle foot that mounts on aluminium profiles.

Material: Housing: Plastic (PA), fibreglass-reinforced

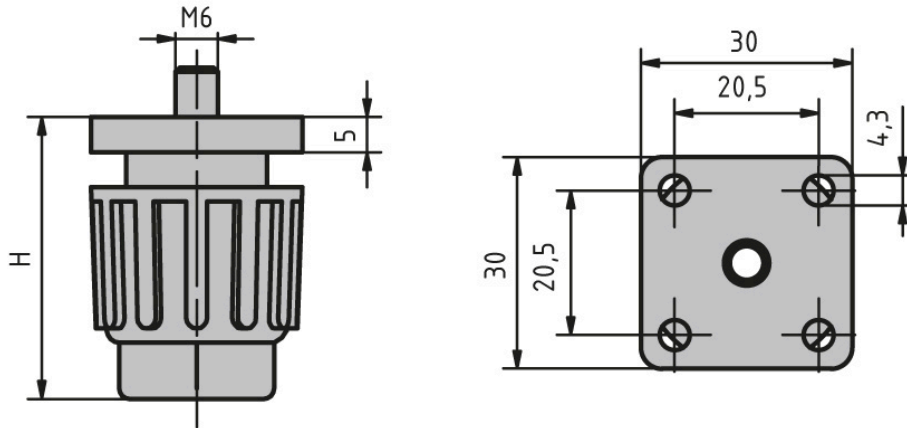
Mechanism: Galvanised steel. Carrying capacity: 150 kg

**System:** 30 - Slot 6; 20 - Slot 5

**Type:** Feet



## General Data



| Designation | Description               | Thread | H     | Hole Spacing | Profile |
|-------------|---------------------------|--------|-------|--------------|---------|
| PZ5109      | Adjustable levelling foot | M6     | 35-50 | 20.5         | 30      |