

## Corner Angle 30

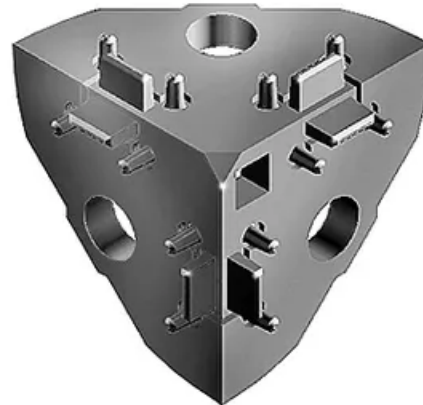
Right-angled links between up to three square or semi-circular profiles of the same cross section. Square or round caps for protection against injury and dirt.

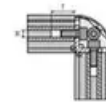
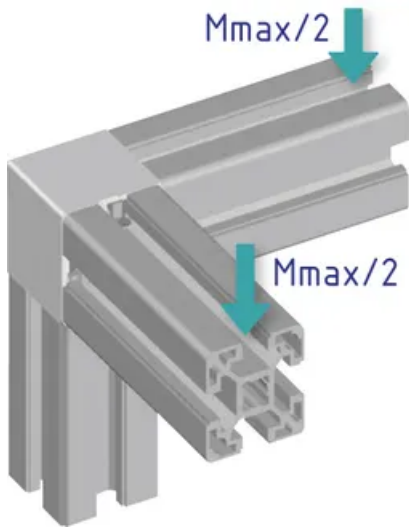
Material: Corner angle: Uncoated die-cast zinc  
Caps: plastic (PA).

Note: The caps in the sets are not ESD-ready.

**System:** 30 - Slot 6

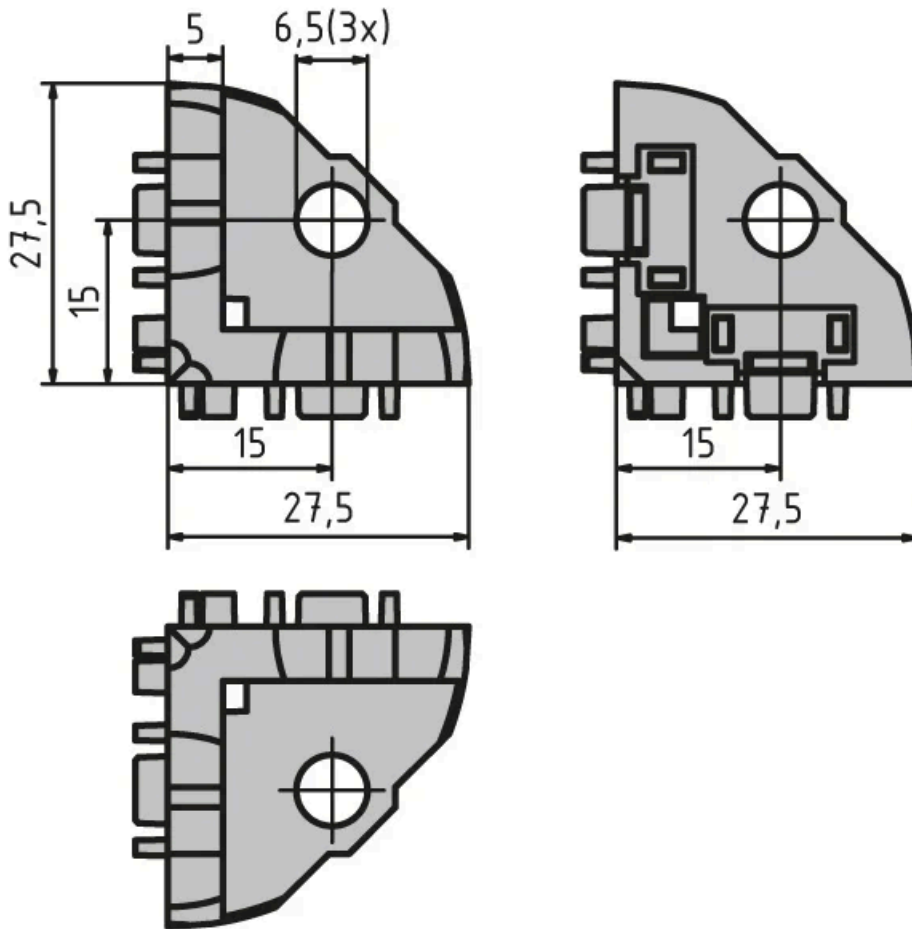
**Type:** Angles Brackets and Corners; Fasteners





	5	6
<b>Mechining of corner angles</b>	<b>Profile 20x20</b>	<b>Profile 30x30</b>
Thread (M)	M5	M5
Depth (T)	25 mm	25 mm

## General Data



Designation	Description	System	F (Nm)	ESD
PZ5017	Corner angle 30 including 3 M6 × 16 screws (ISO 7380)	30 - Slot 6	40	Yes
PV1076	Corner angle 30 including 3 M6 × 16 screws (ISO 7380) and square black cap	30 - Slot 6	40	Yes
PZ5018	Corner angle 30 including 3 M6 × 16 screws (ISO 7380) and square grey cap (RAL7004)	30 - Slot 6	40	Yes
PZ5298	Corner angle 30 including 3 M6 × 16 screws (ISO 7380) and round black cap	30 - Slot 6	40	Yes
PA1208	Round black cap	30 - Slot 6	-	-
PA1209	Square black cap	30 - Slot 6	-	-
PA1210	Square grey cap (RAL7004)	30 - Slot 6	-	-