

## Angle Element

Connecting element for mounting a profile at a 45° angle when building intersections or trusswork.

Use the angle element with a universal connector.

Use caps Slot 6 30 × 30, 45°.

Material: Anodised aluminium

Note: Use a notched slot nut to ensure that the connection is ESD-ready.

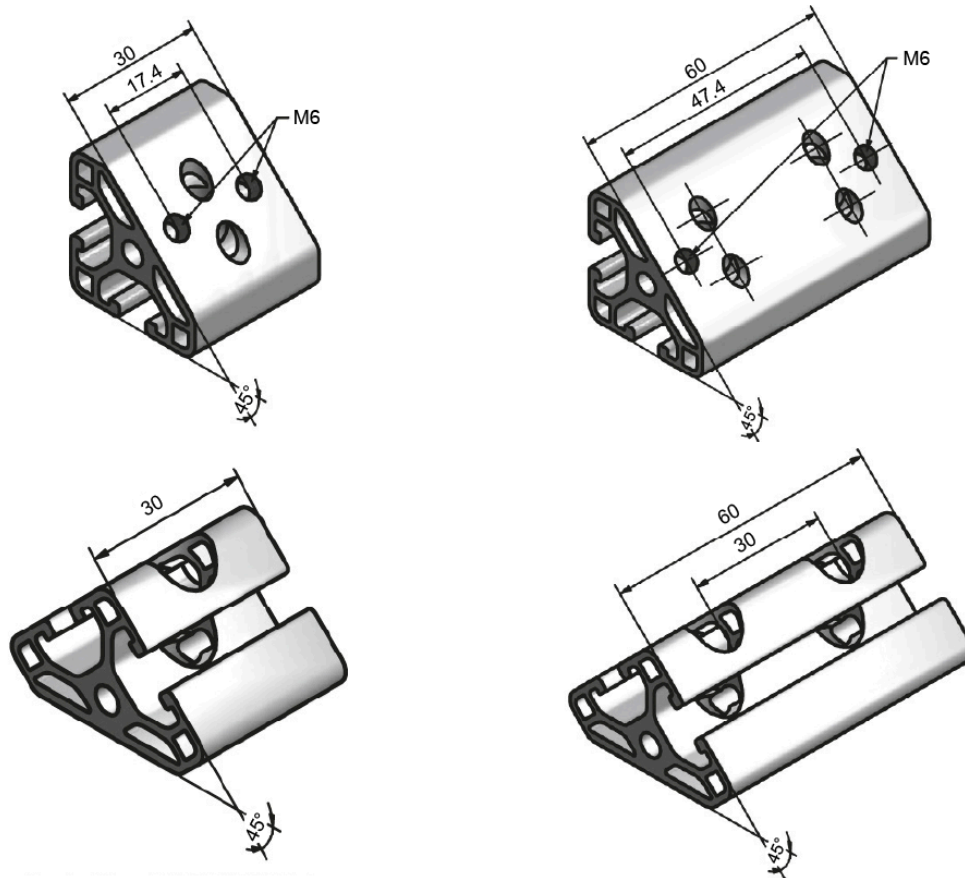
**System:** 30 - Slot 6

**Type:** Angles Brackets and Corners; Fasteners





## General Data



Designation	Description	System	ESD
PZ3210	Angle element T1-30	30 - Slot 6	Yes
PZ3215	Angle element T1-60	30 - Slot 6	Yes
PZ3220	Angle element T2-30	30 - Slot 6	Yes
PZ3225	Angle element T2-60	30 - Slot 6	Yes