

## Mini Plastic Hinge 20

On-site mount: by M5 × 10 countersunk screw and M5 slot  
5 slot nut

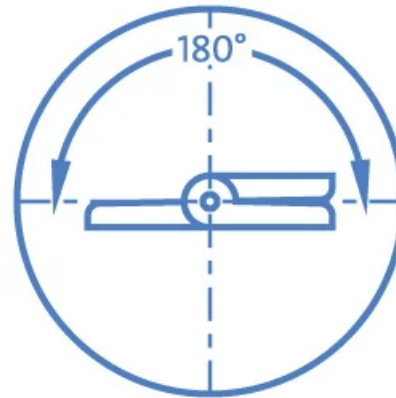
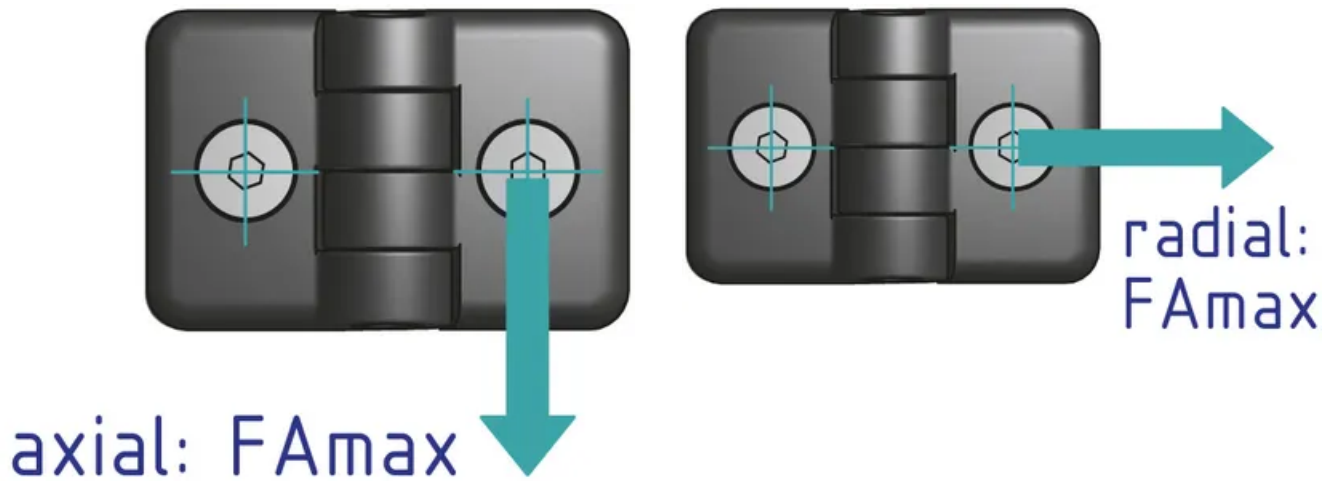
Material: Wing: Plastic (PA), fibreglass-reinforced

Pin: Stainless steel

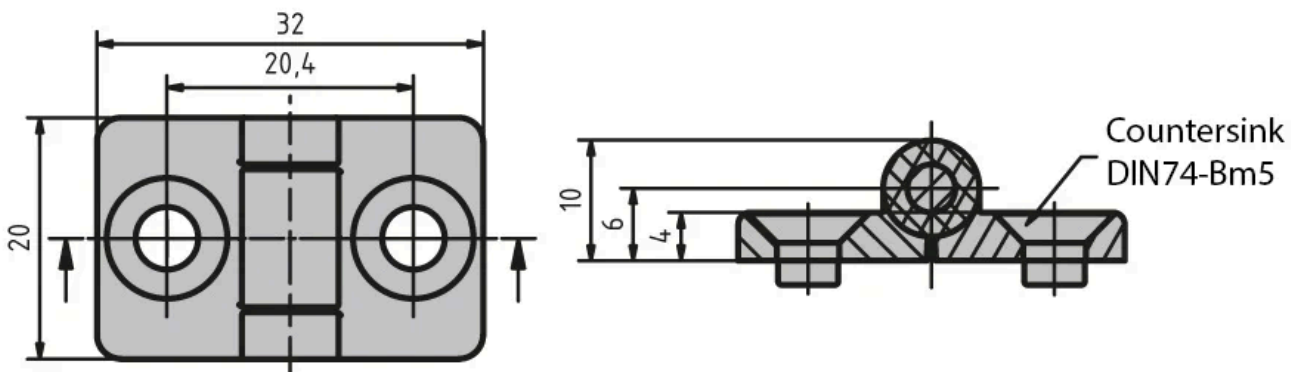
**System:** 20 - Slot 5

**Type:** Hinges





**General Data**



Designation	System	Fmax (N)	FRmax (N)
PZ4080	20 - Slot 5	240	300