

## Plastic Hinge with Clamping Lever

For surface elements and aluminium profiles; can be locked at any point.

Material: Hinge & clamping lever: Plastic (PA), fibreglass-reinforced

Mechanism: Galvanised steel (RoHS-compliant)

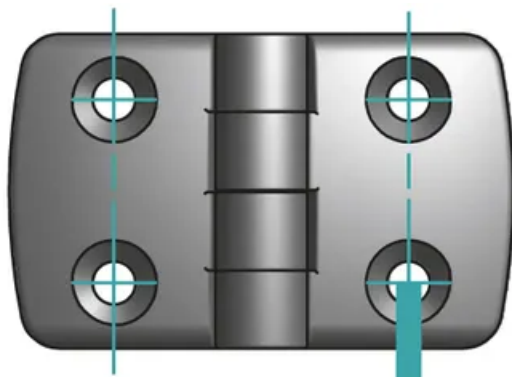
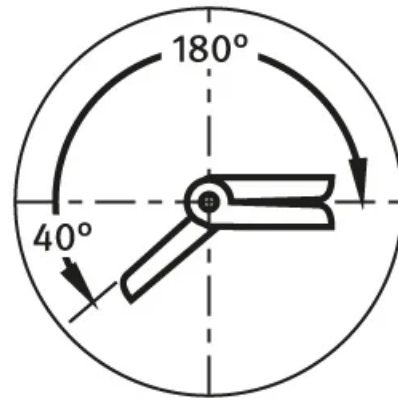
Colour: Hinge: black powder coated

On-site mount: by M6 countersunk screw at the front

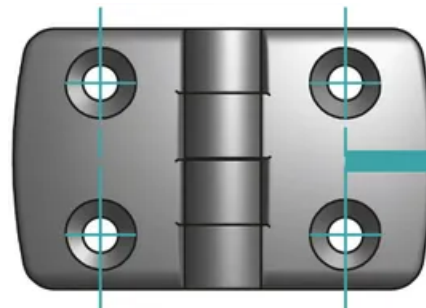
**System:** 30 - Slot 6

**Type:** Hinges



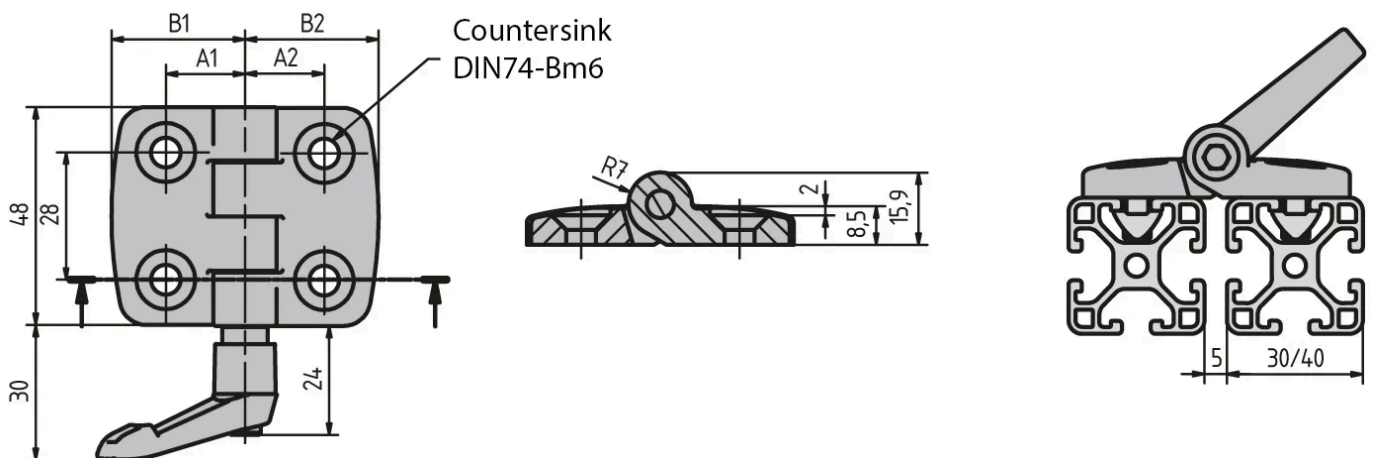


axial:  $F_{Amax}$



radial:  
 $FR_{max}$

**General Data**



Designation	Description	System	$F_{Amax}$ (N)	$FR_{max}$ (N)	A1/A2
PZ5026	Hinge 30 × 30	30 - Slot 6	400	700	17.5/17.5

Designation	B1/B2
PZ5026	29.5/29.5