

## Combination Hinge of Die-Cast Aluminium

For surface elements and aluminium profiles

Material: Wing: Die-cast aluminium; pin: Stainless steel

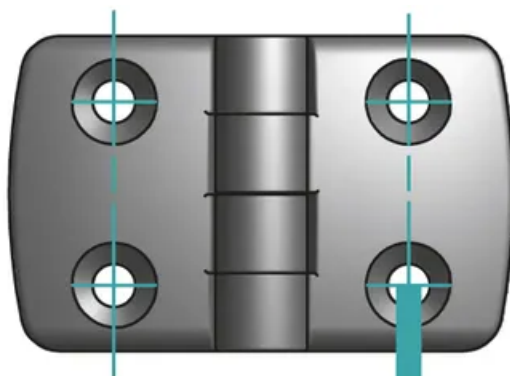
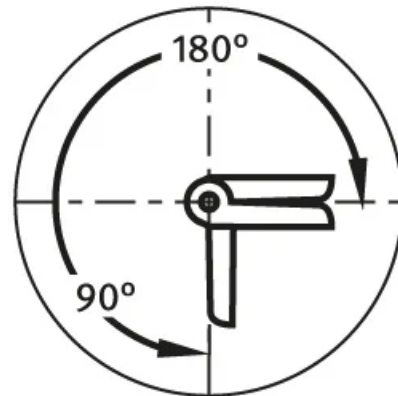
On-site mount: by M6 × 12 or M6 × 16 countersunk screws and slot nuts at the front

Mounting instruction: ESD-ready only if using notched slot nuts.

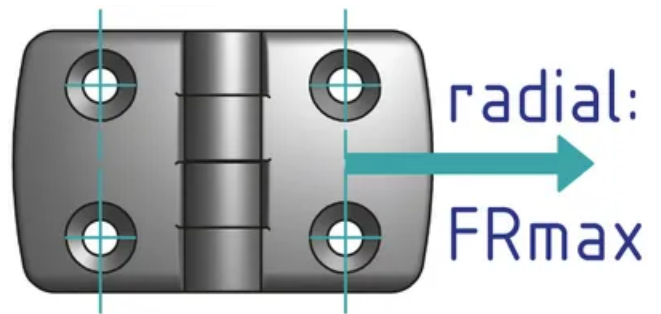
**System:** 30 - Slot 6

**Type:** Hinges



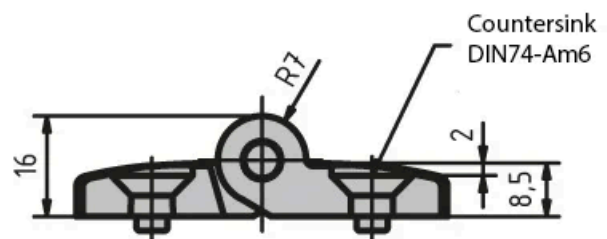
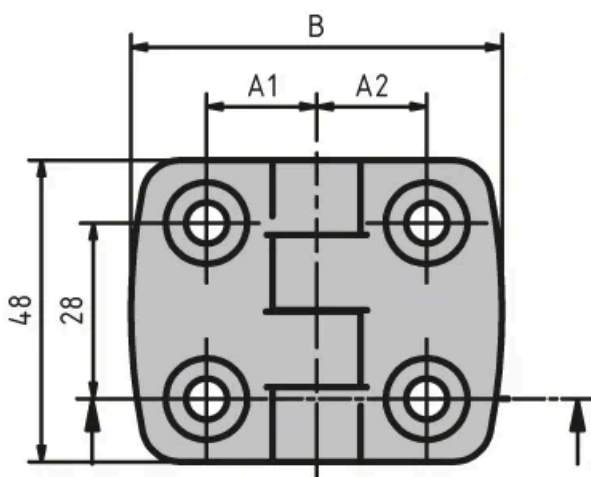


axial:  $F_{Amax}$



radial:  
 $F_{Rmax}$

**General Data**



Designation	Description	System	B	$F_{Amax}$ (N)	$F_{Rmax}$ (N)
PZ5027	Combination aluminium hinge 30.30	30 - Slot 6	59	225	325
PZ5030	Combination aluminium hinge 60.60	30 - Slot 6	115	100	400

Designation	A1/A2
PZ5027	17.5
PZ5030	32.5