

Cover and Lining Profiles

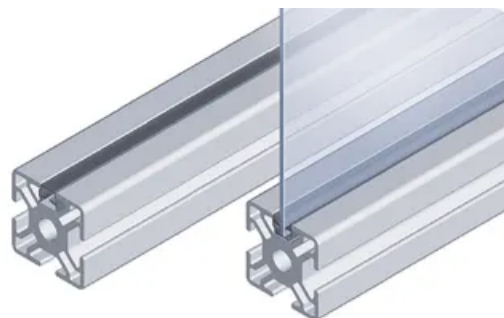
For covering slots and lining surface elements.
Clearance-free installation of surface elements up to 6 mm thick along the slot.

Cables are firmly buried in the slot.

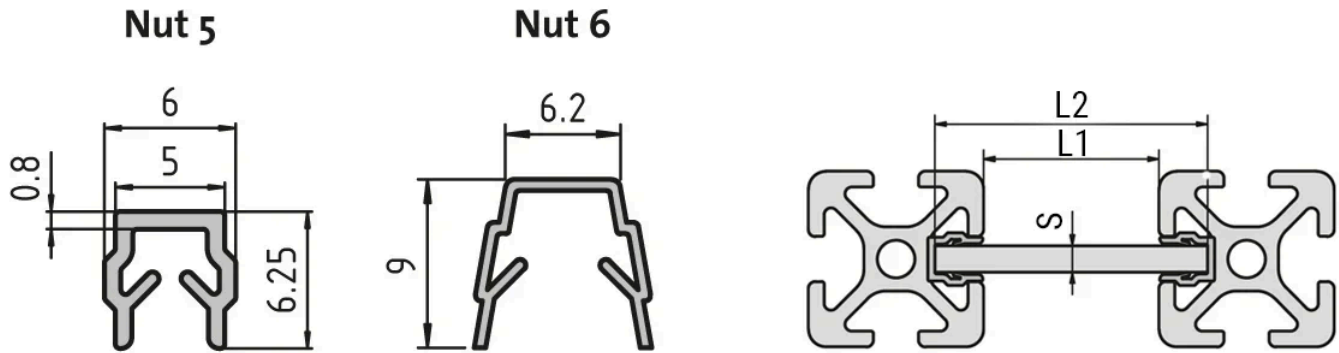
Material: Plastic (PP & TPE)

System: 30 - Slot 6; 20 - Slot 5

Type: Sealing, Coverstrips & Rubbers



General Data



Designation	Description	System	ESD	L2	Length
PZ4070	Cover and lining profile, black RAL9005	20 - Slot 5	-	L1 + 10	2000
PA1214	Cover and lining profile, black RAL9005	20 - Slot 5	Yes	L1 + 10	2000
PZ4065	Cover and lining profile, natural	20 - Slot 5	-	L1 + 10	2000
PZ3075	Cover and lining profile, black RAL9005	30 - Slot 6	-	L1 + 17.5	2000
PA1215	Cover and lining profile, black RAL9005	30 - Slot 6	Yes	L1 + 17.5	2000
PA5116	Cover and lining profile, light grey RAL7035	30 - Slot 6	-	L1 + 17.5	2000
PZ3076	Cover and lining profile, natural	30 - Slot 6	-	L1 + 17.5	2000

Designation	S
PZ4070	2-3
PA1214	2-3
PZ4065	2-3
PZ3075	2-4
PA1215	2-4
PA5116	2-4
PZ3076	2-4