

T-Nuts, ball-type, push-in, flat

Application:

T-nut for swiveling into the t-slot. Fits into the t-slot at any point. Held in position by a spring-loaded ball.

Material: Steel, zinc-plated

System: 40 - Slot 8

Type: T-nuts



T-Nuts, slide-in



T-Nuts, push-in



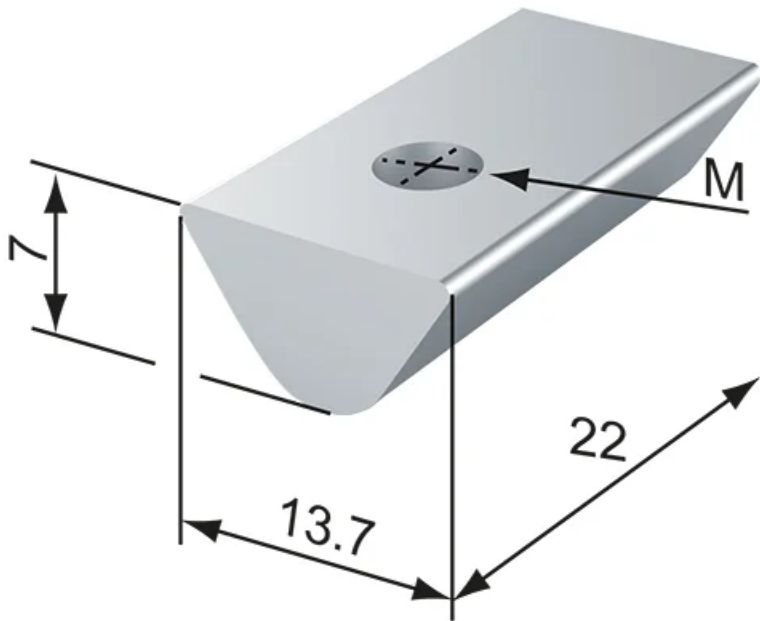
T-Slot Strength

Information in regards to the maximum allowable t-slot load capability F. These values already include a safety factor (S > 2) against plastic deformation.

Profile type	Max. pull charge F
standard	5000 N
semi	2500 N
light	2000 N
superlight	1750 N



General Data



Designation	System	Thread	Weight (g)
RN1030	40 - Slot 8	M4	11
RN1035	40 - Slot 8	M5	11
RN1040	40 - Slot 8	M6	10
RN1045	40 - Slot 8	M8	9