

## T-Nuts, push-in

**Application:**

T-nut for swiveling into the t-slot. Fits into the t-slot at any point. Held in position by a grub screw. Raised area fits into the t-slot to stop twisting.

**Material:** Steel, zinc-plated

**System:** 40 - Slot 8

**Type:** T-nuts



T-Nuts, slide-in



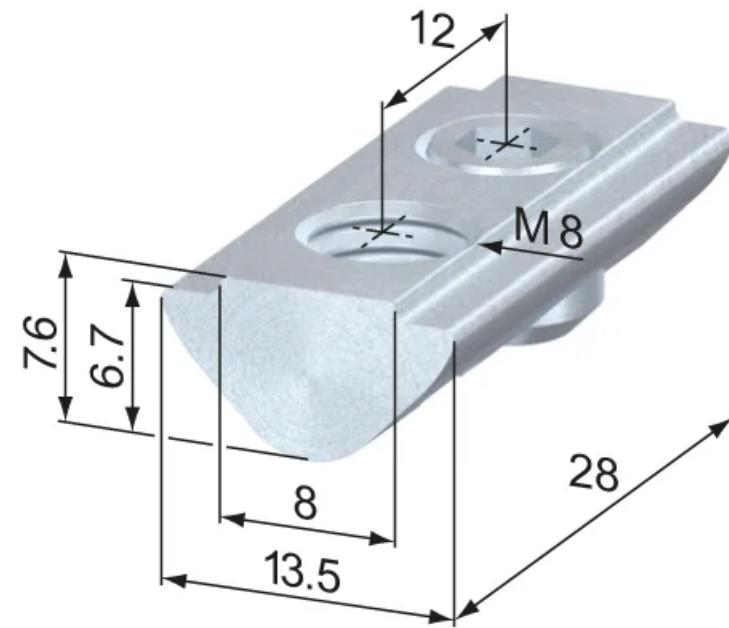
T-Nuts, push-in



**T-Slot Strength**

Information in regards to the maximum allowable t-slot load capability F. These values already include a safety factor (S > 2) against plastic deformation.

Profile type	Max. pull charge F
standard	5000 N
semi	2500 N
light	2000 N
superlight	1750 N



Designation	System	Thread	Weight (g)
RN1160	40 - Slot 8	M5	14
RN1161	40 - Slot 8	M6	14
RN1162	40 - Slot 8	M8	12