

Central Fastener 40 S / SV

Application:

All-purpose universal fastener. The slide-in anchor is held in position in the profile slot by a spring-loaded ball in the opposing profile t-slot.

The SV fasteners have an anti-twist feature.

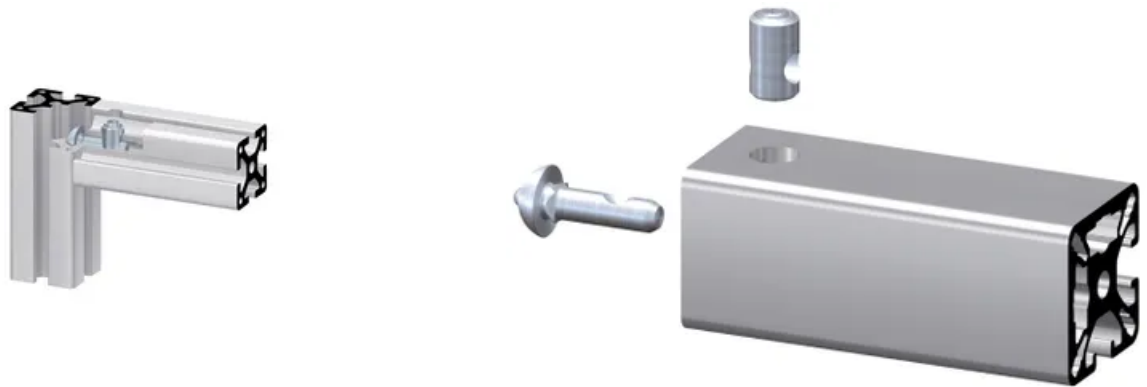
Assembly:

Bore hole for the barrel housing: Ø 12 mm, 15 mm from profile end, 30 mm deep. Bore for center hole on end of profile for anchor: Ø 8.5 mm, 25 mm deep.

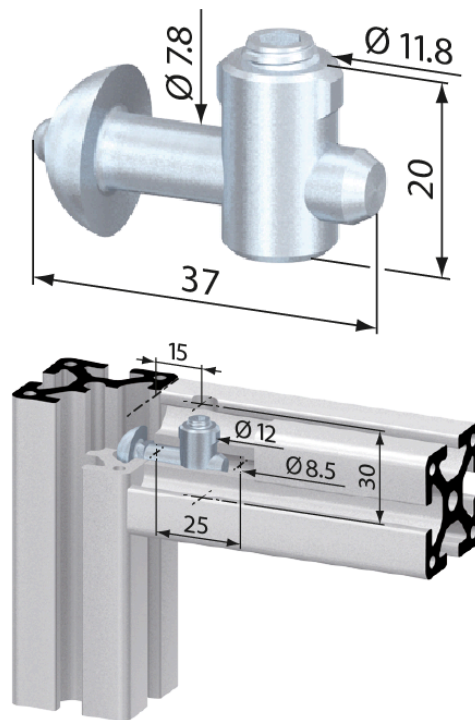
System: 40 - Slot 8

Type: Fasteners





General Data



| Designation | Description | System | Material | Weight (g) |
|-------------|------------------------|-------------|--------------------|------------|
| RF1158 | Central fastener 40 SV | 40 - Slot 8 | Steel, zinc-plated | 29 |