

Angle Plate, steel

Universally applicable attachment bracket. Links two aluminium profiles at a right angle.

Mounting material:

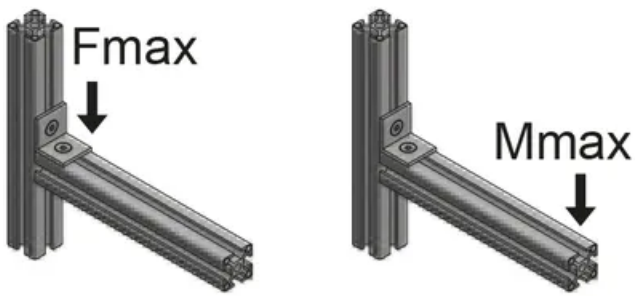
M8 × 16 countersunk screw (DIN7991), M8 slot 8 slot nut

Material: Steel, black

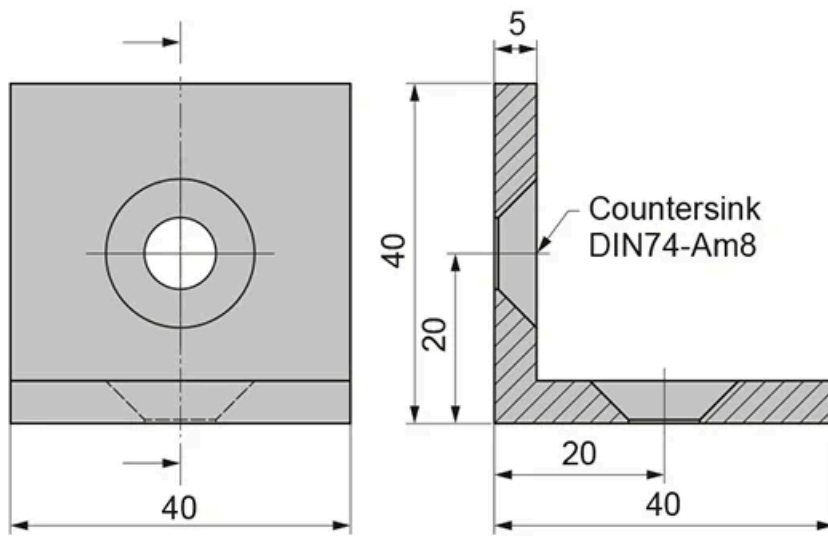
System: 40 - Slot 8

Type: Angles Brackets and Corners; Fasteners





General Data



RA1125

Designation	Description	System	Fmax (N)	Mmax (Nm)
RA1125	Bracket 40 × 40	40 - Slot 8	1500	50