

Sealing Rubbers

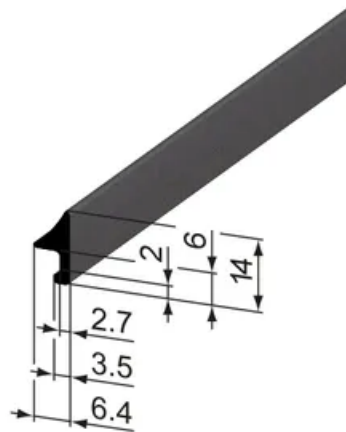
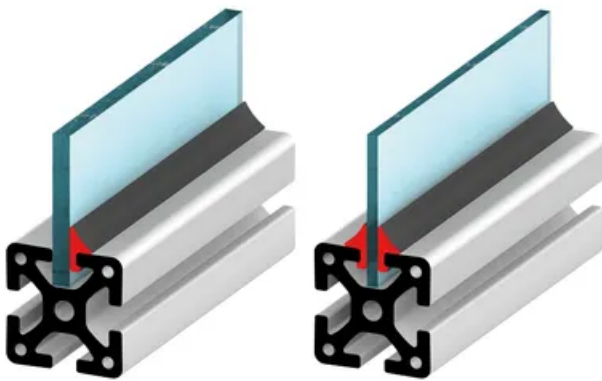
Application:

For sealing flat panels in a frame. Provides an anti-vibration seal. Not suitable for wire mesh panels.

Material: EPDM, deterioration and ozone resistant, oil and water resistant

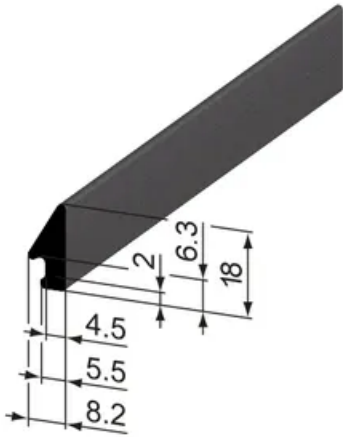
System: 40 - Slot 8

Type: Sealing, Coverstrips & Rubbers



SZ1900S

Sealing Rubbers



SZ1901S

General Data

Designation	Description	System	Weight (g/m)
SZ1901S	Sealing Rubber 40 4 mm	40 - Slot 8	60
SZ1900S	Sealing Rubber 40 6 mm	40 - Slot 8	30