

Cross Cable Binder Block

To secure cables to aluminum profiles in two directions.
Can be mounted into the slot by a quarter turn.

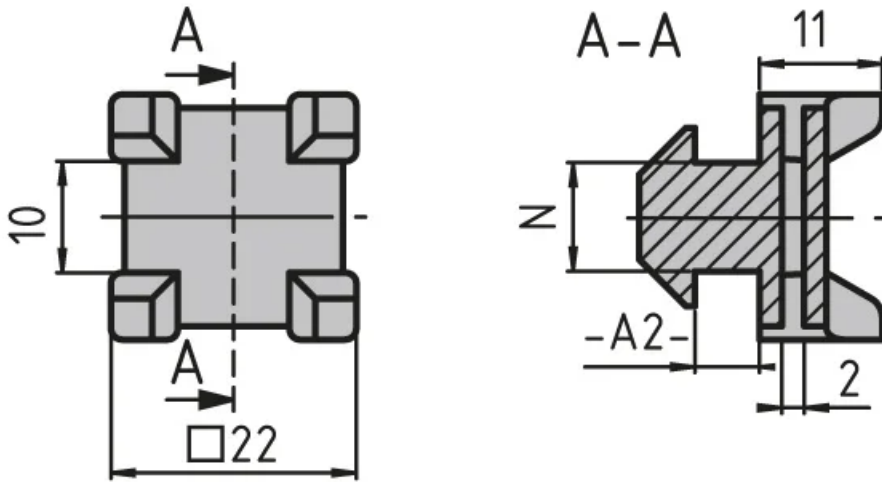
Material: Plastic PA

System: 40 - Slot 8

Type: System Gliders and Rollers



General Data



Designation	Description	System
RA1210	Strips Holder Variable 8	40 - Slot 8