

T-Nuts, mini

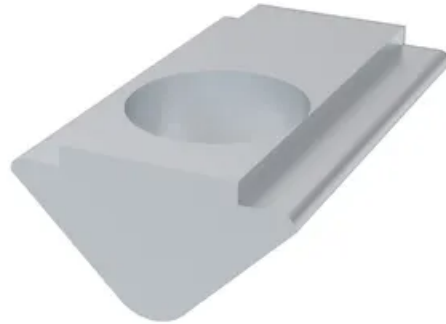
Application:

T-nut for swiveling into the t-slot. Fits into the t-slot at any point. Held in position by a spring-loaded ball. Raised area fits into groove to stop twisting.

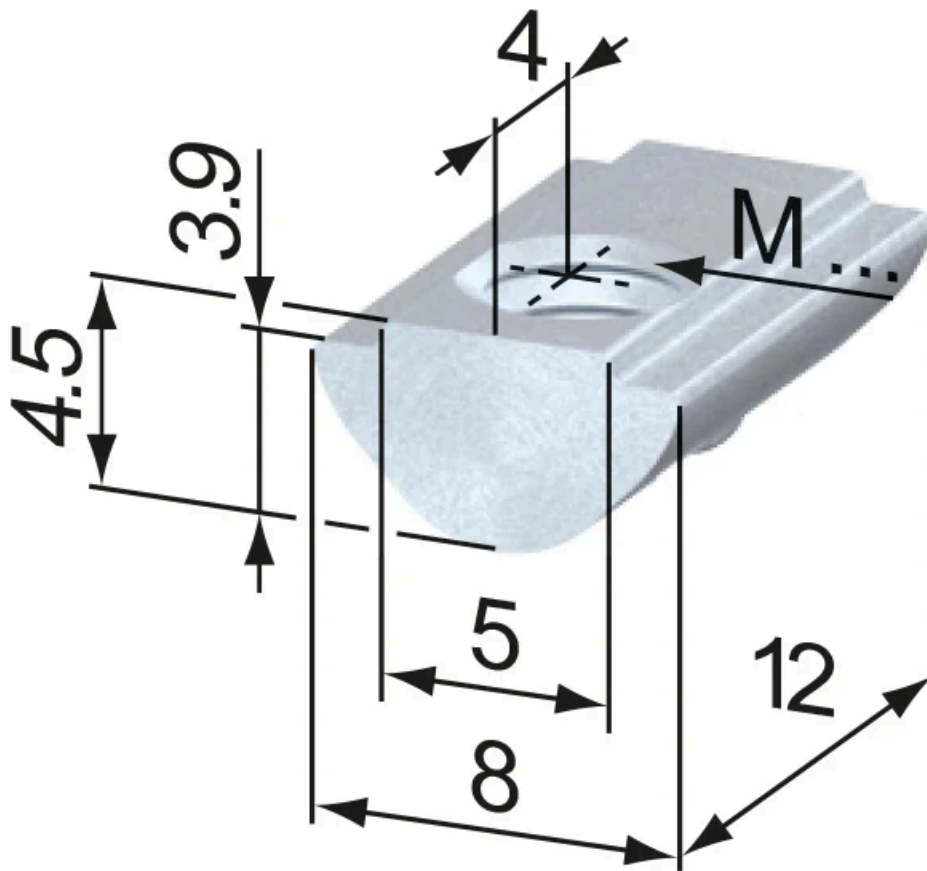
Material: Steel, zinc-plated

System: 20 - Slot 5

Type: T-nuts



General Data



Designation	Description	System	Thread	Weight (g)
SV2192V	T-Nuts, mini M4 ball type	20 - Slot 5	M4	2
SV2193V	T-Nuts, mini M5 ball type	20 - Slot 5	M5	2