

## Knuckle Foot D40

Swiveling and leveling knuckle feet for stable placement on uneven floors. Consists of threaded rod and base of plastic (PA) with anti-slip plate, without bolt-down holes.

**Material:** Base in plastic PA, threaded rod in steel.

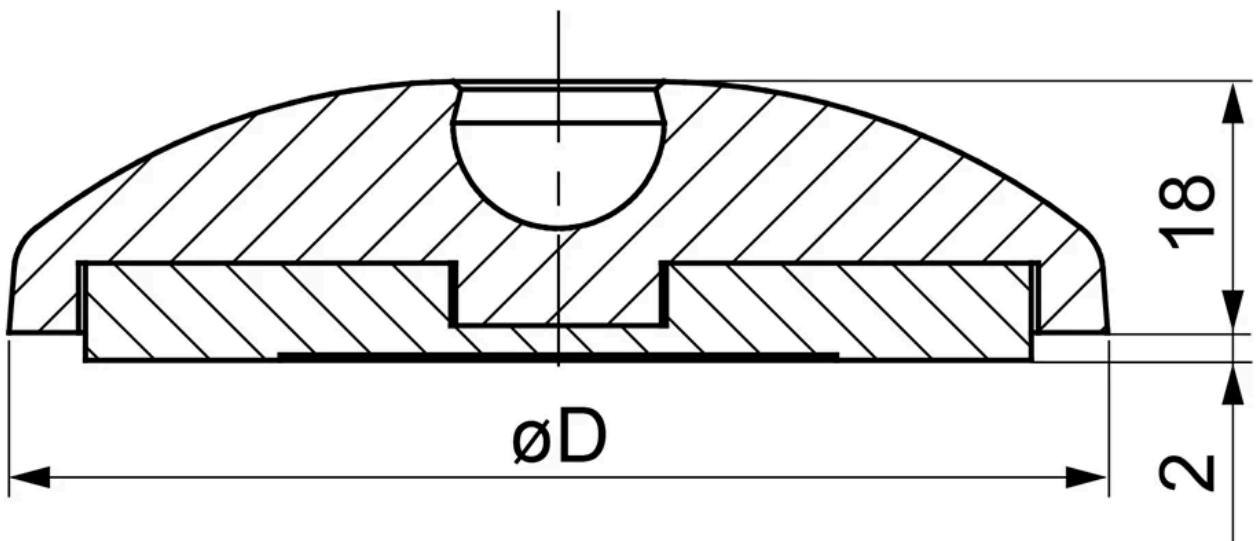
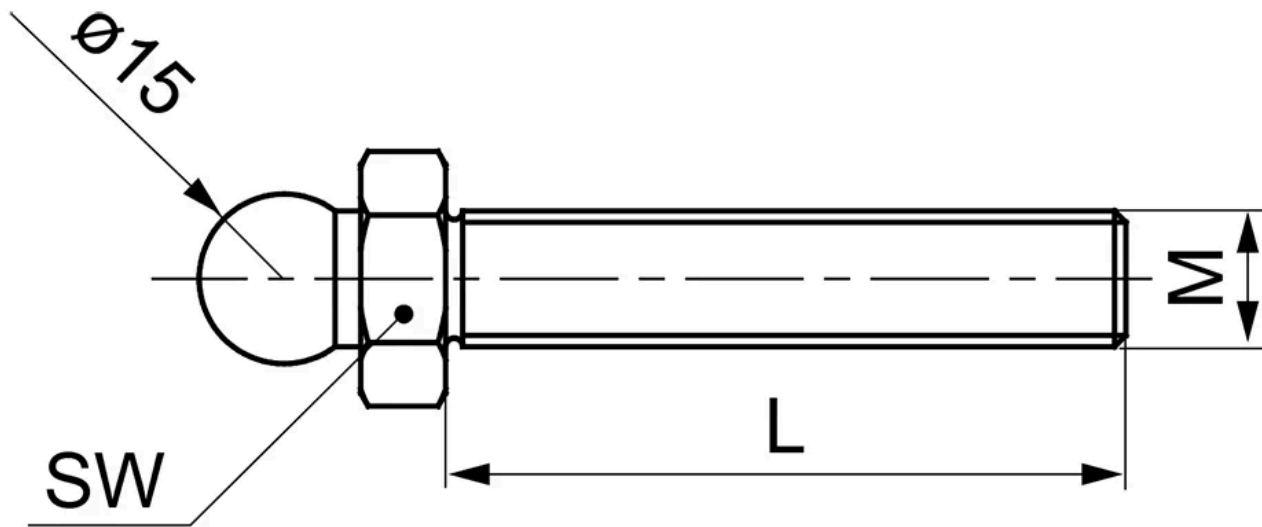
**Max. Load (kg):** 350

**System:** 40 - Slot 8; 30 - Slot 8; 30 - Slot 6; 20 - Slot 5

**Type:** Feet



**General Data**



Designation	D	L	M	Weight (g)	Max. Load (kg)
RA1366	39	40	M8	53	350
RA1367	39	80	M8	66	350

Designation	SW (mm)
RA1366	14
RA1367	14