

Adjustable Feet Kit, Base 80 with anti-slip/vibration plate and fixing holes

Swiveling feet for levelling out uneven floors. Pivoting range of ball-and-socket joint: ± 20 .
Feet can be fixed to the floor.
Ball joint $\varnothing 15$.
Delivered as a kit, not assembled.

Material:

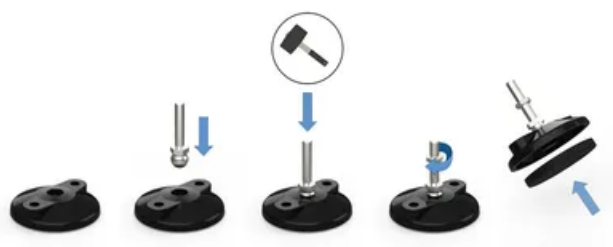
- Base: Plastic PA (black), glass ball reinforced or die-cast zinc, black powder coated.
- Threaded rod: Steel, surface zinc plated.
- Anti-slip plate: Thermoplastic elastomer ≈ 70 shore A. Oil and water resistant (up to $60\text{ }^{\circ}\text{C}$).

For stainless – steel please contact Rollco.

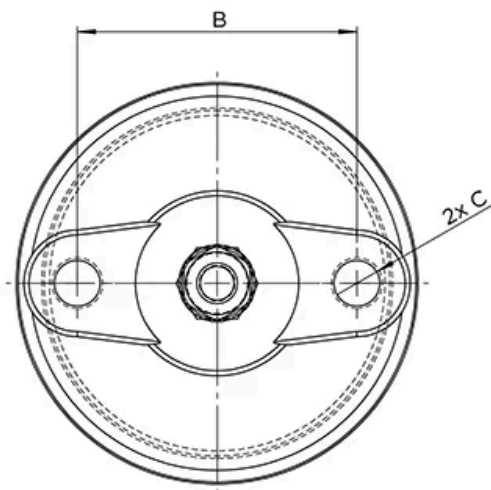
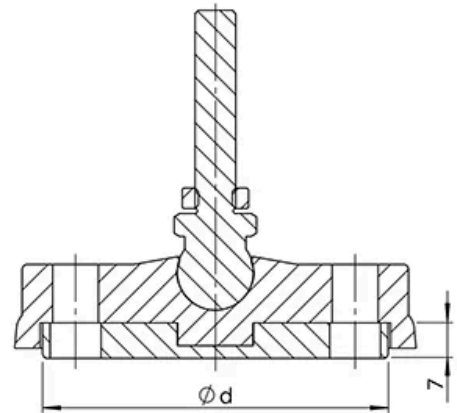
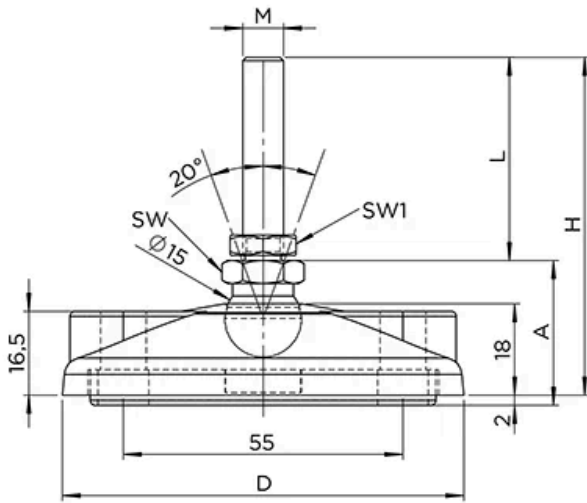
System: 40 - Slot 8; 30 - Slot 6; 20 - Slot 5

Type: Feet



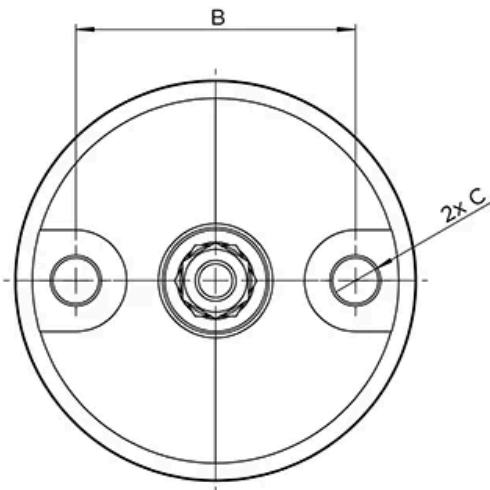
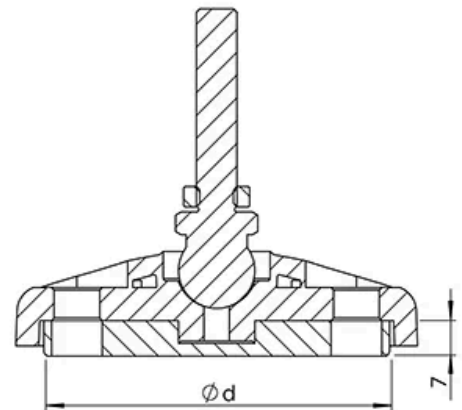
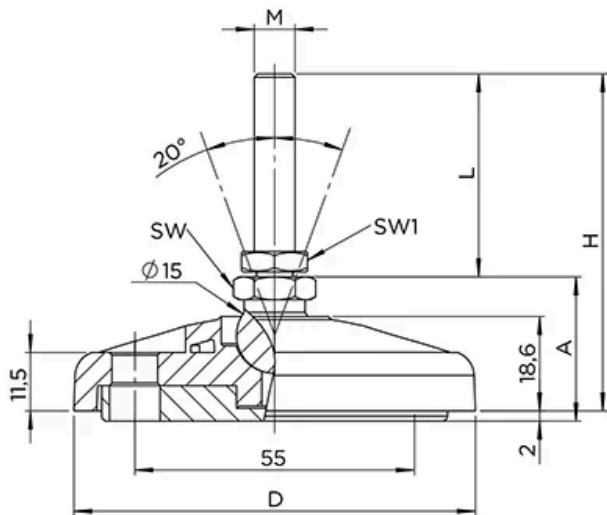


General Data



Adjustable Feet, Base 80 with anti-slip/vibration plate and fixing holes
 Plastic PA, Black

- Designations:
 RA7002
 RA7009
 RA7016
 RA7023
 RA7030
 RA7037
 RA7044



Adjustable Feet, Base 80 with anti-slip/vibration plate and fixing holes
Die-cast zinc with a black powder coat

Designations:

- RA7003
- RA7010
- RA7017
- RA7024
- RA7031
- RA7038
- RA7045

Designation	A	D	H	L	M
RA7002	29.5	79	68.5	40	M8
RA7009	29.5	79	108.7	80	M8
RA7016	29.5	79	73.7	45	M10
RA7023	29.5	79	73.7	45	M12
RA7030	29.5	79	153.7	125	M12
RA7037	29.5	79	94.7	66	M16
RA7044	29.5	79	153.7	125	M16
RA7003	29.5	79	68.4	40	M8
RA7010	29.5	79	108.7	80	M8
RA7017	29.5	79	73.4	45	M10
RA7024	29.5	79	73.4	45	M12
RA7031	29.5	79	153.4	125	M12
RA7038	29.5	79	94.7	66	M16
RA7045	29.5	79	153.4	125	M16

Designation	Base	d	Weight (g)	Max. Load (kg)	SW (mm)
RA7002	Plastic PA, Black	68	108	350	14
RA7009	Plastic PA, Black	68	121	350	14

Designation	Base	d	Weight (g)	Max. Load (kg)	SW (mm)
RA7016	Plastic PA, Black	68	117	470	14
RA7023	Plastic PA, Black	68	127	770	14
RA7030	Plastic PA, Black	68	186	770	14
RA7037	Plastic PA, Black	68	184	900	17
RA7044	Plastic PA, Black	68	262	900	17
RA7003	Die-cast zinc with a black powder coat	68	322	350	14
RA7010	Die-cast zinc with a black powder coat	68	335	350	14
RA7017	Die-cast zinc with a black powder coat	68	331	470	14
RA7024	Die-cast zinc with a black powder coat	68	341	770	14
RA7031	Die-cast zinc with a black powder coat	68	398	770	14
RA7038	Die-cast zinc with a black powder coat	68	398	1450	17
RA7045	Die-cast zinc with a black powder coat	68	476	1450	17