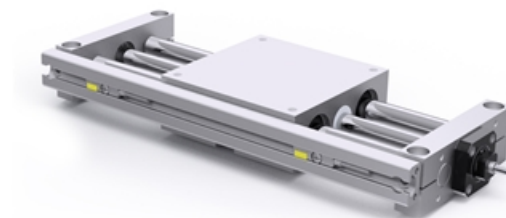
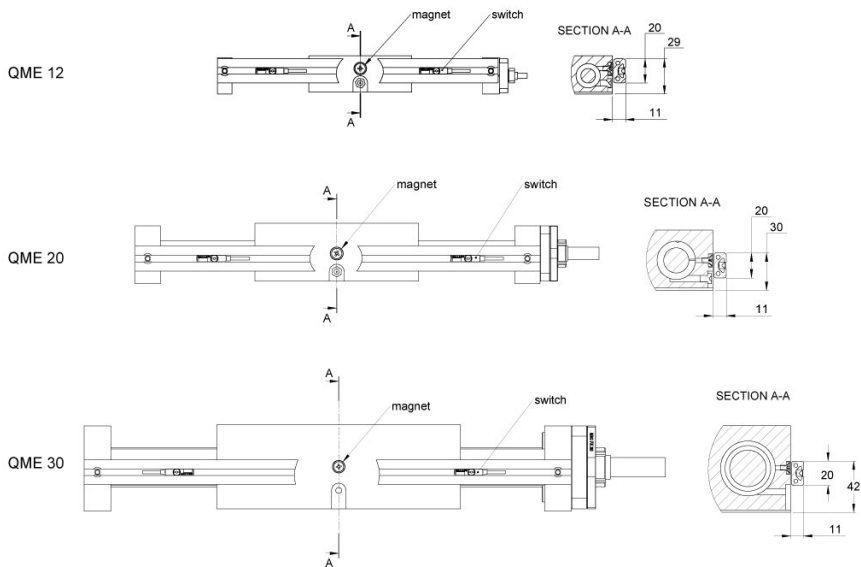


## Magnet and rail for end/position switches

For linear unit QME.  
Dimensions in mm.



## General Data



Designation	Compatible with
Magnet and rail for end/position switches-12	QME12
Magnet and rail for end/position switches-20	QME20
Magnet and rail for end/position switches-30	QME30