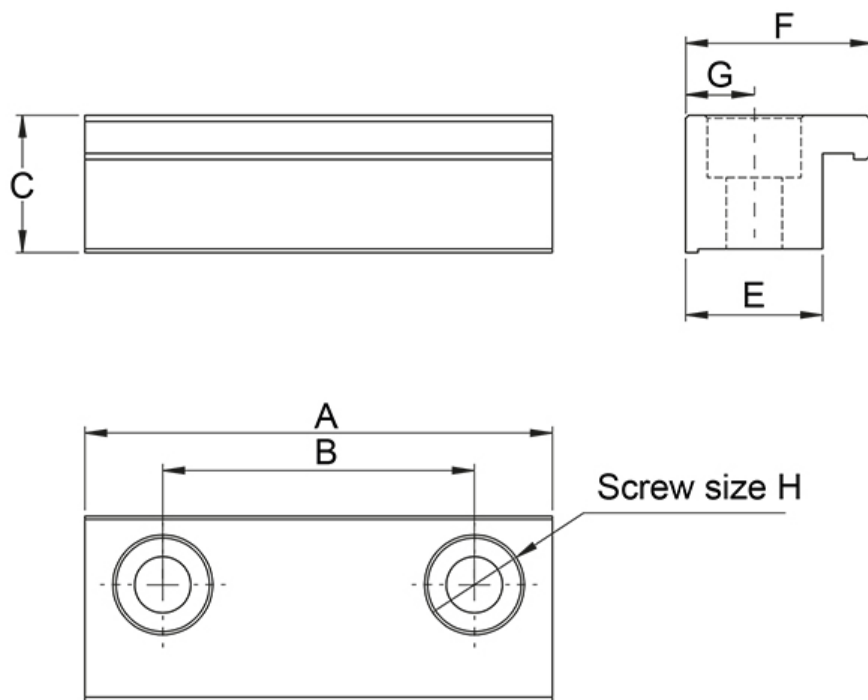


Fixing Element

Dimensions in mm.



Technical Data



| Designation | A | B | C | E | F |
|----------------------|----|----|------|----|----|
| RHL80-FE8S (side) | 75 | 50 | 22 | 22 | 30 |
| RHL80-FE5B (bottom) | 75 | 50 | 18.5 | 25 | 30 |
| RHL110-FE8S (side) | 75 | 50 | 28 | 22 | 30 |
| RHL110-FE8B (bottom) | 75 | 50 | 20 | 22 | 30 |

| Designation | G | H |
|----------------------|----|----|
| RHL80-FE8S (side) | 11 | M8 |
| RHL80-FE5B (bottom) | 11 | M8 |
| RHL110-FE8S (side) | 11 | M8 |
| RHL110-FE8B (bottom) | 11 | M8 |