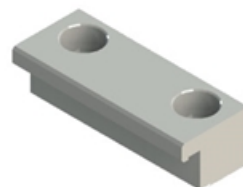
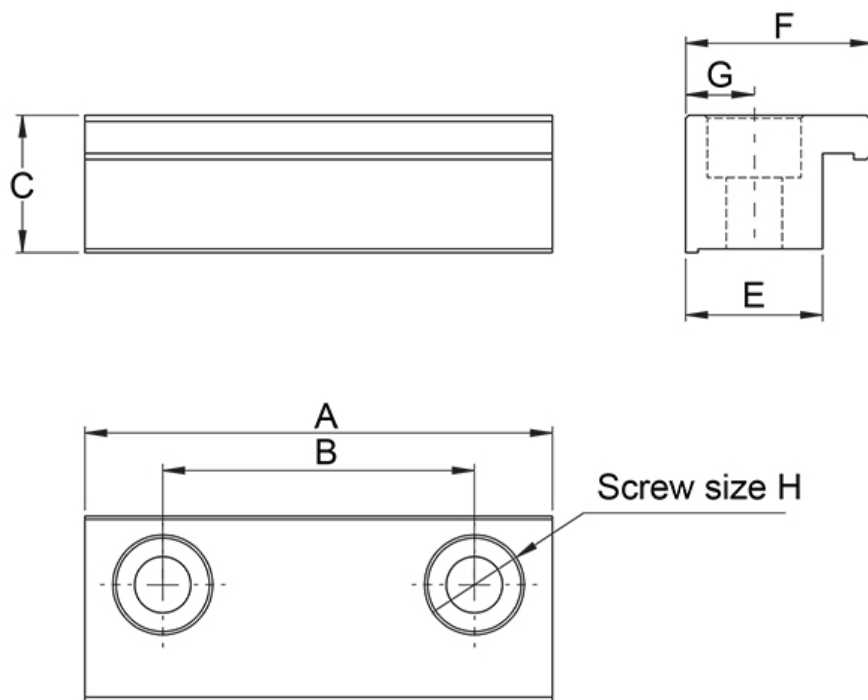


Fixing Element

Dimensions in mm.



Dimensions



Designation	G	A	B	H	F	C	E
RHL80-FE8S (side)	11	75	50	M8	30	22	22
RHL80-FE5B (bottom)	11	75	50	M8	30	18.5	25
RHL110-FE8S (side)	11	75	50	M8	30	28	22
RHL110-FE8B (bottom)	11	75	50	M8	30	20	22