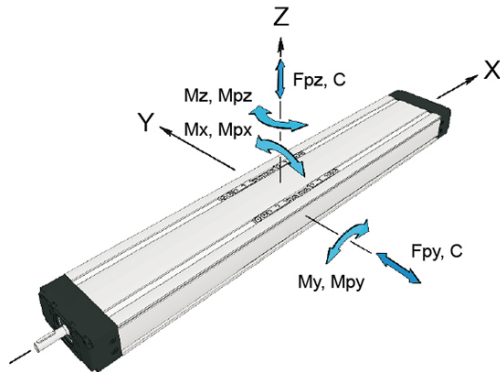


General data



For length/stroke over the stated value, please contact Rollco. Values for max. stroke are not valid for double carriage (equation of defining the linear unit length for particular size of the linear unit needs to be used).

Recommended values of loads

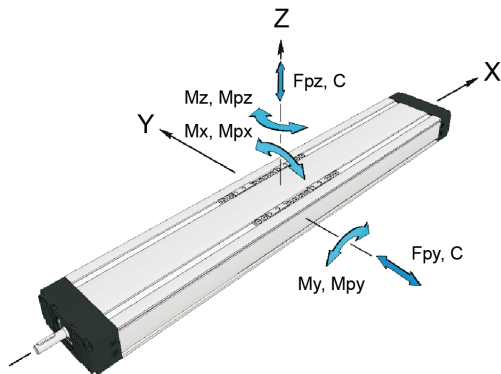
All the data of static and dynamic moments and load capacities stated are theoretical without considering any safety factor. The safety factor depends on the application and its requested safety. We recommend a minimum safety factor ($f_s = 5.0$).

Designation	Carriage Length L_v (mm)	Dynamic Moment M_x (Nm)	Dynamic Moment M_y (Nm)	Dynamic Moment M_z (Nm)	Dynamic Load Capacity C (N)
CTV 90 S - 12 x 5	35	125	17	34	4620
CTV 90 S - 12 x 10	35	125	17	34	4620
CTV 90 L - 12 x 5	100	250	300	300	9240
CTV 90 L - 12 x 10	100	250	300	300	9240

Designation	Static Load Capacity C_0 (N)	Max. Permissible Loads Forces F_{py} (N)	Max. Permissible Loads Forces F_{pz} (N)	Max. Permissible Loads Moments M_{px} (Nm)	Max. Permissible Loads Moments M_{py} (Nm)	Max. Permissible Loads Moments M_{pz} (Nm)
CTV 90 S - 12 x 5	6930	2000	4540	125	17	34
CTV 90 S - 12 x 10	6930	2000	4540	125	17	34
CTV 90 L - 12 x 5	13860	3990	9080	250	297	130
CTV 90 L - 12 x 10	13860	3990	9080	250	297	130

Designation	Moved Mass (kg)	Max. Length L_{max} (mm)	Max. Stroke (mm)	Min. Stroke (mm)
CTV 90 S - 12 x 5	0.3	750	665	30
CTV 90 S - 12 x 10	0.3	750	665	30
CTV 90 L - 12 x 5	0.5	750	600	30
CTV 90 L - 12 x 10	0.5	750	600	30

General data double carriage



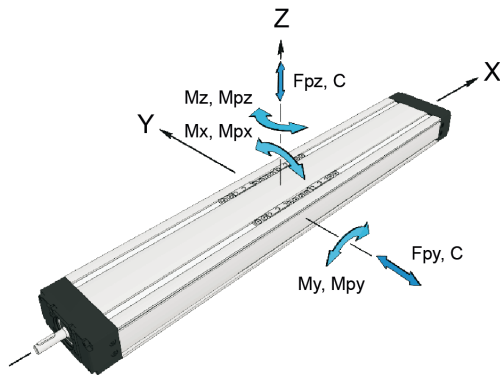
Mass calculation does not include mass of motor, reduction gear, switches and clamps.

Abs. stroke	Absolute stroke [mm]
A	Distance between carriages [mm]
nc	Number of carriages

Designation	Carriage version	Dynamic Load Capacity C (N)	Static Load Capacity C0 (N)	Dynamic Moment Mx (Nm)	Dynamic Moment My (Nm)
CTV 90 S - 12 x 5	S2 (S)	9240	13860	250	$4.6 \times A$ (mm)
CTV 90 S - 12 x 10	S2 (S)	9240	13860	250	$4.6 \times A$ (mm)
CTV 90 L - 12 x 5	S2 (L)	9240	13860	250	$4.6 \times A$ (mm)
CTV 90 L - 12 x 10	S2 (L)	9240	13860	250	$4.6 \times A$ (mm)

Designation	Dynamic Moment Mz (Nm)	Max. Permissible Loads Forces Fpy (N)	Max. Permissible Loads Forces Fpz (N)	Max. Permissible Loads Moments Mpx (Nm)	Max. Permissible Loads Moments Mpy (Nm)	Max. Permissible Loads Moments Mpz (Nm)
CTV 90 S - 12 x 5	$4.6 \times A$ (mm)	3990	9090	250	$4.5 \times A$ (mm)	$2.0 \times A$ (mm)
CTV 90 S - 12 x 10	$4.6 \times A$ (mm)	3990	9090	250	$4.5 \times A$ (mm)	$2.0 \times A$ (mm)
CTV 90 L - 12 x 5	$4.6 \times A$ (mm)	3990	9090	250	$4.5 \times A$ (mm)	$2.0 \times A$ (mm)
CTV 90 L - 12 x 10	$4.6 \times A$ (mm)	3990	9090	250	$4.5 \times A$ (mm)	$2.0 \times A$ (mm)

Drive data



Max. travel speed depends of the length of the linear unit, see diagram for particular size of the linear unit. For travel speed over the stated value, please contact Rollco.

The stated values are for strokes up to 500 mm. No load torque value increases with stroke elongation.

For the ball nut with the preload of 2%, please contact Rollco.

For minimum stroke below the stated value, please contact Rollco.

Max. acceleration (m/s²): 20

For acceleration over the stated value, please contact Rollco.

Reduced effective diameter at journal with keyway decreases values of max. drive torque. See Max. Drive torque values in table below.

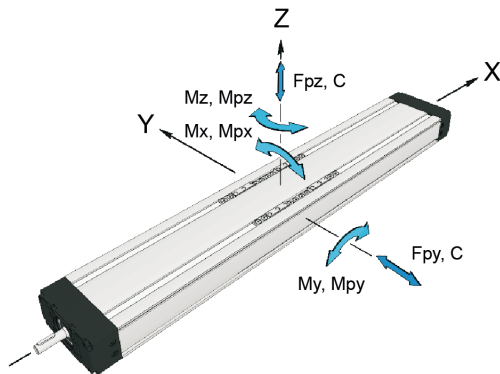
nc = Number of carriages

Designation	Max. Travel Speed (m/s)	Max. Rotational Speed (rev/min)	Max. Drive Torque Ma (Nm)	Lead Constant (mm/rev)	No Load Torque Carriage S (Nm)
CTV 90 S - 12 x 5	0.49	5800	4.4 (w.o keyway)	5	0.08 × nc
CTV 90 S - 12 x 10	0.97	5800	4.5 (w.o keyway)	10	0.09 × nc
CTV 90 L - 12 x 5	0.49	5800	4.4 (w.o keyway)	5	0.08 × nc
CTV 90 L - 12 x 10	0.97	5800	4.5 (w.o keyway)	10	0.09 × nc

Designation	No Load Torque Carriage L (Nm)	Ball Screw (d x l)	Max. Repeatability Precision Standard ISO7	Max. Repeatability Precision ISO5	Dynamic Load Capacity BS Ca (N)	Max. Axial Load Fx (N)
CTV 90 S - 12 x 5	0.10 × nc	12 × 5	± 0.02	± 0.01	5000	5000
CTV 90 S - 12 x 10	0.11 × nc	12 × 10	± 0.02	± 0.01	3800	2540
CTV 90 L - 12 x 5	0.10 × nc	12 × 5	± 0.02	± 0.01	5000	5000
CTV 90 L - 12 x 10	0.11 × nc	12 × 10	± 0.02	± 0.01	3800	2540

Designation	Planar Moment of Inertia Iy (cm ⁴)	Planar Moment of Inertia Iz (cm ⁴)
CTV 90 S - 12 x 5	13.6	102.6
CTV 90 S - 12 x 10	13.6	102.6
CTV 90 L - 12 x 5	13.6	102.6
CTV 90 L - 12 x 10	13.6	102.6

Mass and Mass moment



Mass calculation does not include mass of motor, reduction gear, switches and clamps.

Abs. stroke	Absolute stroke [mm]
A	Distance between carriages [mm]
nc	Number of carriages

Designation	Ball Screw (d x l)	Mass of Linear Unit (kg)	Mass Moment of Inertia (10 ⁻⁵ kg m ²)	Planar Moment of Inertia Iy (cm ⁴)	Planar Moment of Inertia Iz (cm ⁴)
CTV 90 S - 12 x 5	12 x 5	1.6 + 0.006 × (Abs. Stroke + (nc - 1) × A) + 0.30 × (nc - 1)	0.32 + 0.002 × (Abs. Stroke + (nc - 1) × A) + 0.02 × (nc - 1)	13.6	102.6
CTV 90 S - 12 x 10	12 x 10	1.6 + 0.006 × (Abs. Stroke + (nc - 1) × A) + 0.30 × (nc - 1)	0.38 + 0.002 × (Abs. Stroke + (nc - 1) × A) + 0.08 × (nc - 1)	13.6	102.6
CTV 90 L - 12 x 5	12 x 5	2.2 + 0.006 × (Abs. Stroke + (nc - 1) × A) + 0.50 × (nc - 1)	0.43 + 0.002 × (Abs. Stroke + (nc - 1) × A) + 0.03 × (nc - 1)	13.6	102.6
CTV 90 L - 12 x 10	12 x 10	2.2 + 0.006 × (Abs. Stroke + (nc - 1) × A) + 0.50 × (nc - 1)	0.53 + 0.002 × (Abs. Stroke + (nc - 1) × A) + 0.13 × (nc - 1)	13.6	102.6

Designation	Moved Mass (kg)
CTV 90 S - 12 x 5	0.3
CTV 90 S - 12 x 10	0.3
CTV 90 L - 12 x 5	0.5
CTV 90 L - 12 x 10	0.5