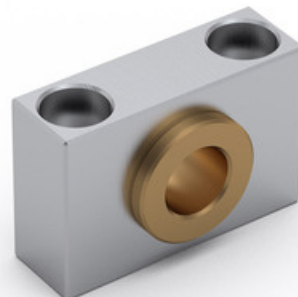


Trunnion support MLZ

Dimensions in mm.

Set contains 2 pcs.

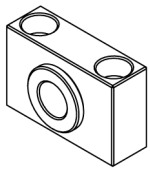
Material: Galvanized steel and sinterized bronze



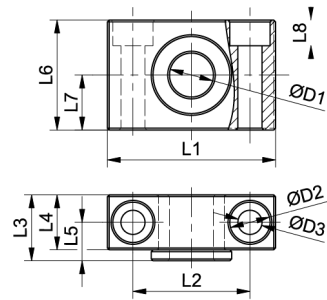
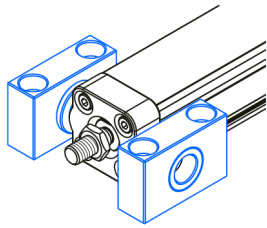
General Data

Designation	Compatible with	Description	Fmax (N)	Mass (kg)
MLZ 32/45 - 108234	MCE 32, MCE 45	MLZ 32/45	F MCE	0.2

Dimensions



Simple support



Designation	L1	L2	L3	L4	L5	L6	L7	L8	D1
MLZ 32/45 - 108234	46	32 (±0.2)	18	15	10.5	30	15 (±0.1)	7 (±0.5)	12 (F7)

Designation	D2	D3
MLZ 32/45 - 108234	11	6.6