

## 5040 - 140% Extension

The 5040 is a 4 beam version of the 5030. The main feature of this slide is the capability to extend up to 140% enabling full access to the rear of the equipment. Carrying loads up to 170 kg per pair. Standard lengths 300 to 1000 mm in 50 mm increments.

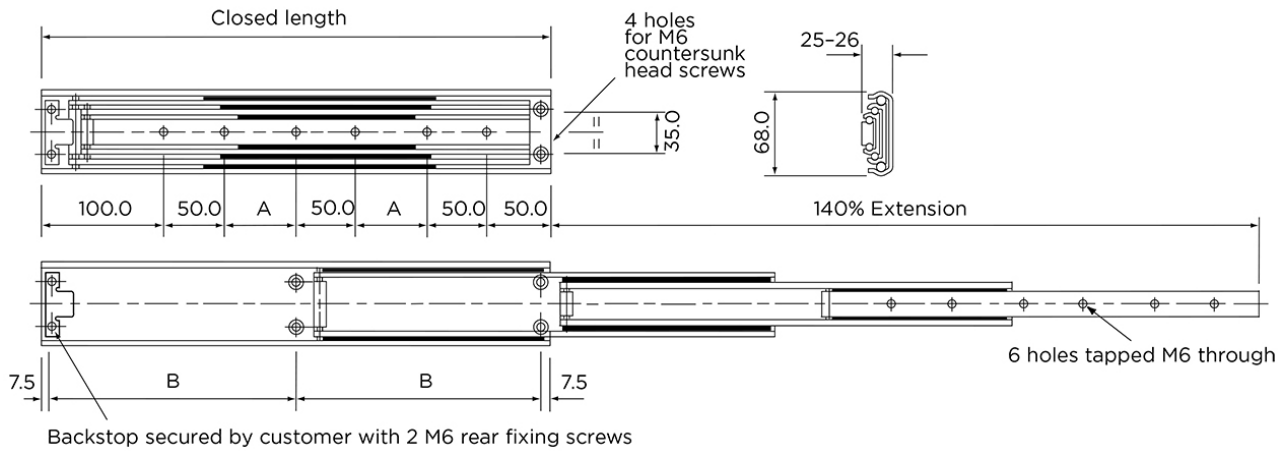
All dimensions in mm.

System Load Capacity value refers to a pair of rails at full extension.

**Extension:** 140%

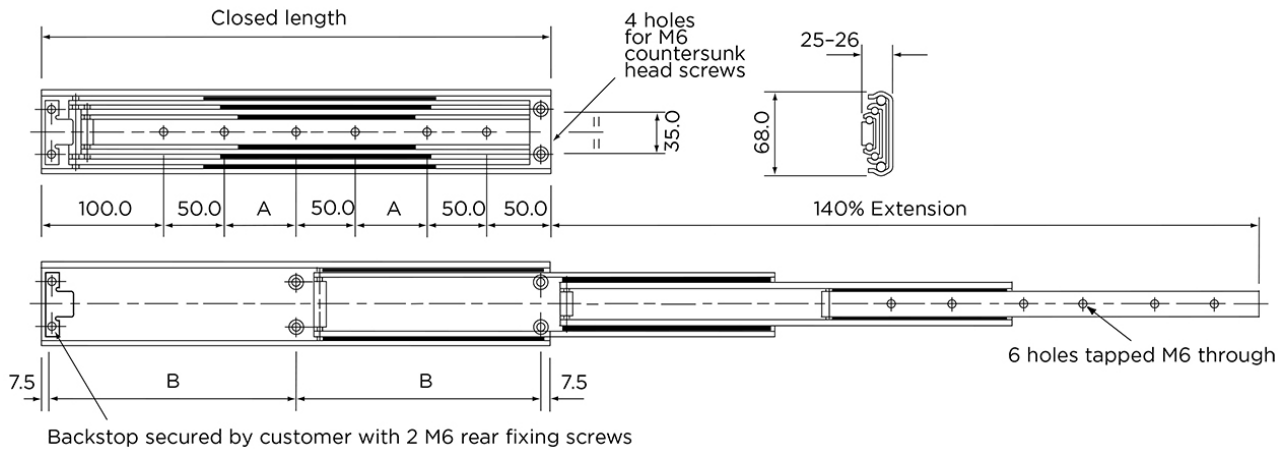


## General Data



Designation	Closed Length	Extension Length	System Load Capacity (N)	Number of Fixing Holes
5040-300 140%	300	420	1700	4
5040-350 140%	350	490	1700	6
5040-400 140%	400	560	1680	6
5040-450 140%	450	630	1630	6
5040-500 140%	500	700	1600	6
5040-550 140%	550	770	1580	6
5040-600 140%	600	840	1560	6
5040-650 140%	650	910	1400	6
5040-700 140%	700	980	1300	6
5040-750 140%	750	1050	1200	6
5040-800 140%	800	1120	1180	6
5040-850 140%	850	1190	1100	6
5040-900 140%	900	1260	1000	6
5040-950 140%	950	1330	900	6
5040-1000 140%	1000	1400	800	6

## Dimensions



Designation	A	B
5040-300 140%	50	142.5
5040-350 140%	25	167.5
5040-400 140%	50	192.5
5040-450 140%	75	217.5
5040-500 140%	100	242.5
5040-550 140%	125	267.5
5040-600 140%	150	292.5
5040-650 140%	175	317.5
5040-700 140%	200	342.5
5040-750 140%	225	367.5
5040-800 140%	250	392.5
5040-850 140%	275	417.5
5040-900 140%	300	442.5
5040-950 140%	325	467.5
5040-1000 140%	350	492.5