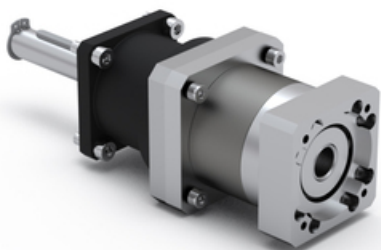
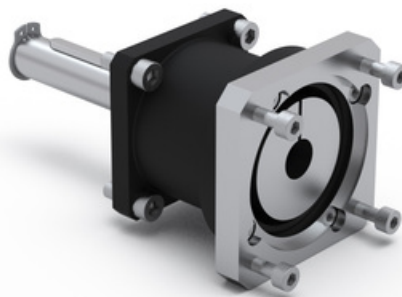


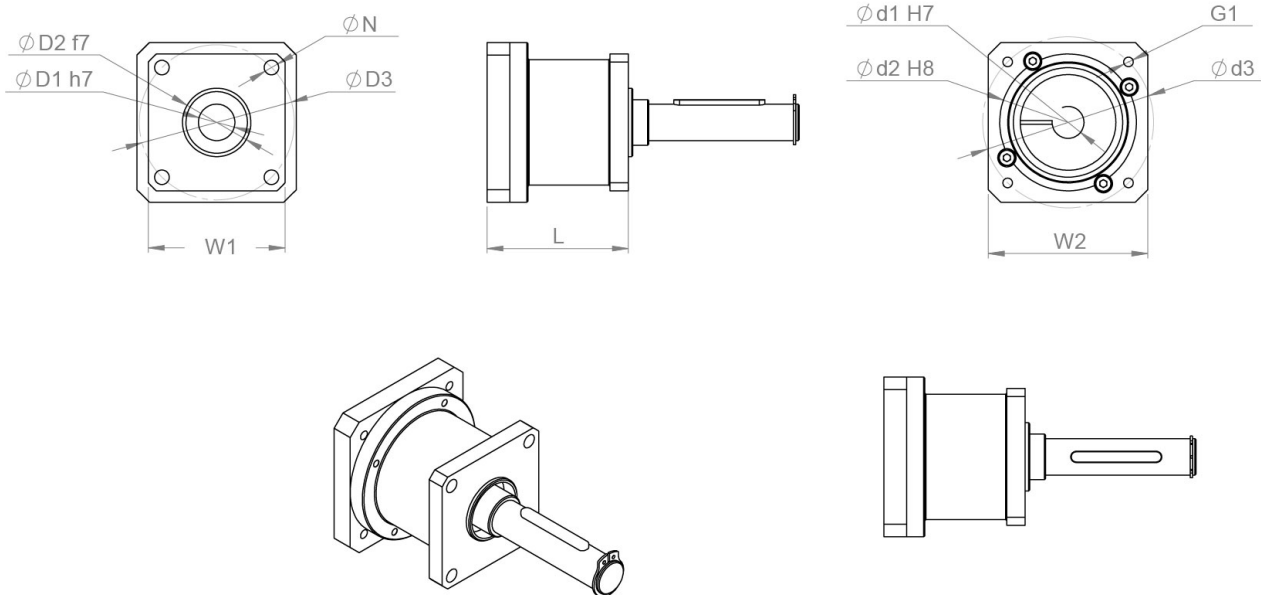
Adapter kit RHL

Easily connect your RHL Linear unit with a planetary gear by using our adapter-kit. Design your complete solution of RHL Linear unit + Adapter kit + Planetary gear with our CAD-Configurator.

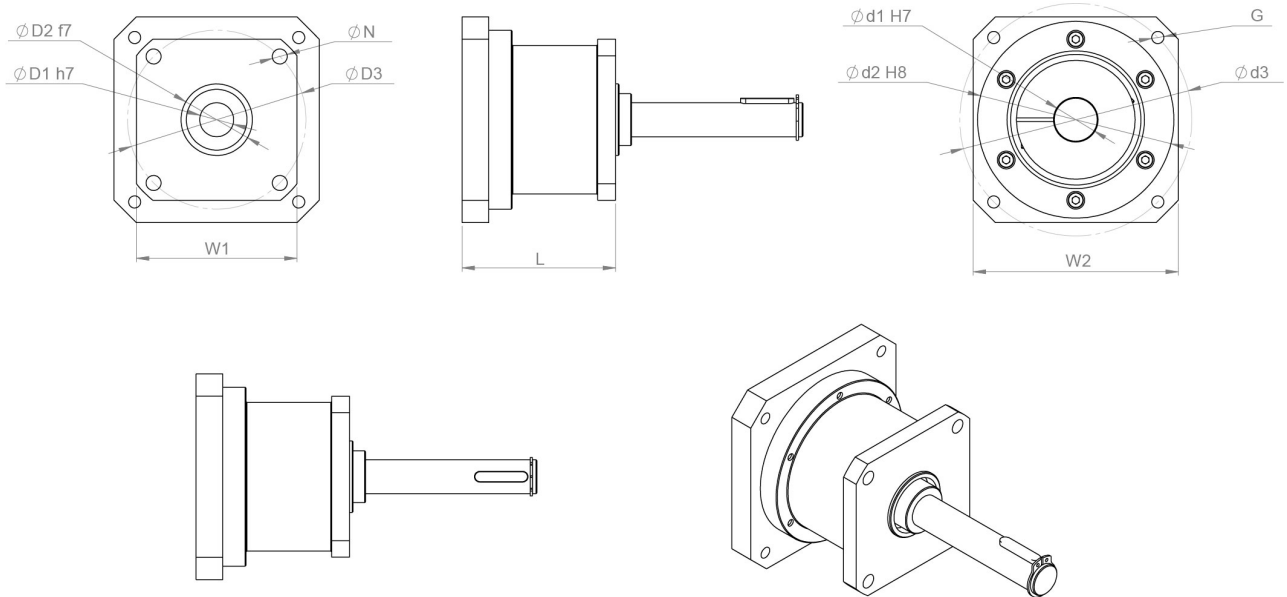


General Data

RHL80



RHL110



Designation	Compatible with	D1	D2	D3	G1
RHL80-CPS015 Adapter kit	RHL80	14	60	75	M5
RHL110-CPS035 Adapter kit	RHL110	24	110	130	M8

Designation	N1	L	W1	W2
RHL80-CPS015 Adapter kit	6.4	62	60x60	70x70
RHL110-CPS035 Adapter kit	8.4	86	90x90	115x115