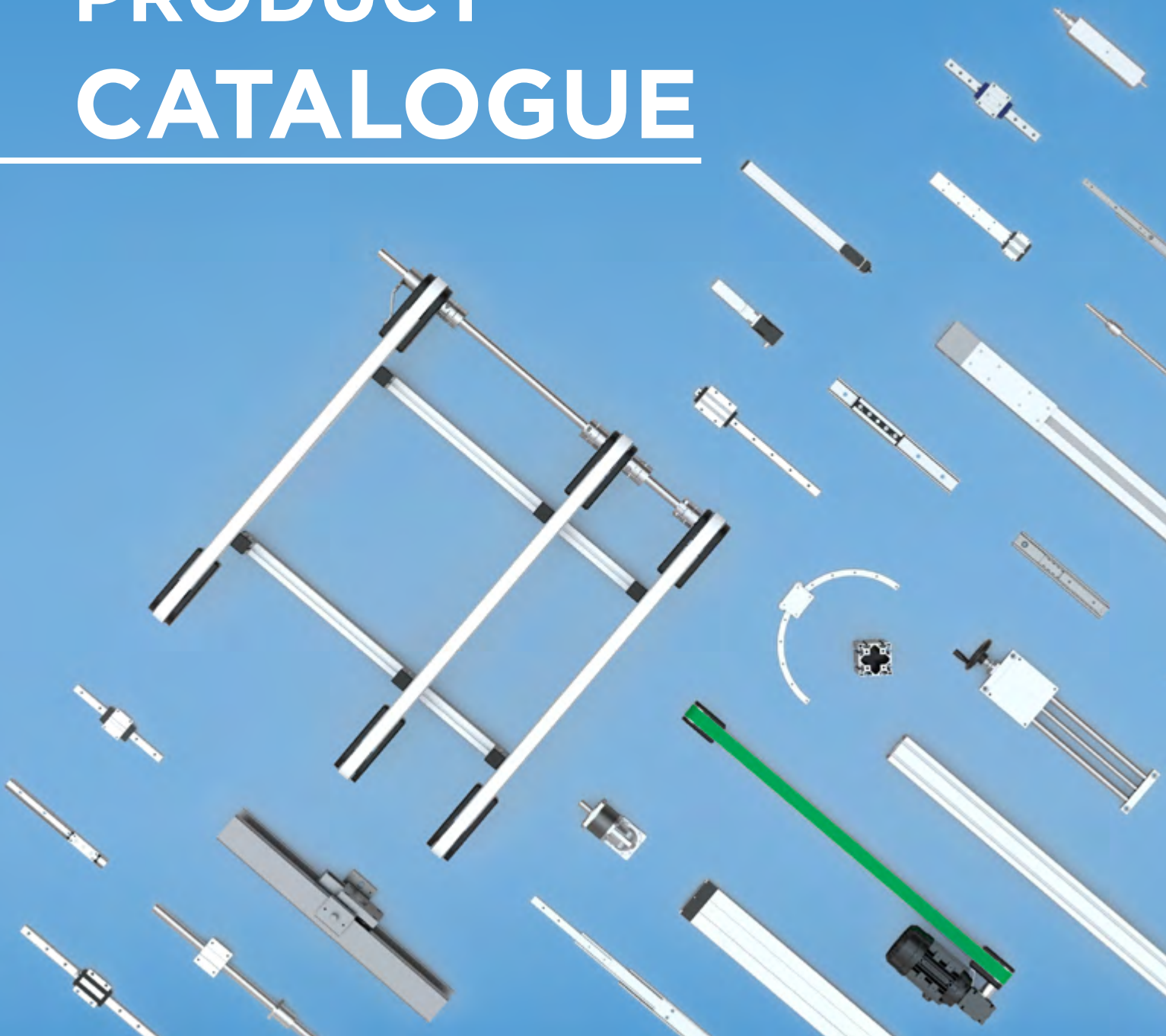


PRODUCT CATALOGUE



Information in this document is subject to change. Owing to continued product development, Rollco reserves the right to make alterations without prior notice. Every care has been taken to ensure the accuracy of the information, but no liability can be accepted for any errors or omissions.

All information and content included in this document, such as text, and images, are property of Rollco. Any reproduction, even partial, is allowed only by written permission by Rollco.

Index

THIS IS ROLLCO	5
LINEAR RAIL SYSTEMS WITH ROLLERS	9
COMPACT RAIL	10
C-RAIL	15
U-RAIL	17
CURVI LINE	21
LINEAR RAIL SYSTEMS WITH BALLS	23
LINEAR RAIL HRC/ARC/ERC	24
LINEAR RAIL SBI	29
LINEAR RAIL WRC	32
LINEAR MINIATURE GUIDES	34
LINEAR RAIL ALUMINIUM	37
LINEAR ROLLER GUIDES	39
TELESCOPIC RAILS	41
TELESCOPIC RAIL LIGHT	42
TELESCOPIC RAIL HEAVY	44
EASYSLIDE	46
BALL SCREWS, LINEAR BALL BEARINGS & STEEL SHAFTS	49
BALL SCREWS	50
LINEAR BALL BEARINGS & STEEL SHAFTS	53
LINEAR UNITS	56
LINEAR UNIT RHL	57
LINEAR UNIT QME	59
LINEAR UNITS CT & MT	61
MINI LINEAR UNITS MGBS & MGTB	64
ELECTRIC CYLINDERS & SLIDERS	67
MCE & MSCE MINI ELECTRIC CYLINDERS & SLIDERS	68
PNCE ELECTROMECHANICAL CYLINDERS	72
PLANETARY GEARBOXES	77
ALUMINIUM APPLICATIONS	79
ALUMINIUM PROFILE SYSTEM	80
BELT CONVEYORS	86
TIMING BELT CONVEYORS	91

RA GREASE

NLGI grade 1.5

The grease is water resistant, withstands oxidation, has very good mechanical stability, is completely non-toxic and provides a very wide application temperature range.

See our websites for further information.



THIS IS ROLLCO

Rollco specialises in products for linear motion and automation solutions. We have a wide range of products and high technical expertise.

Our philosophy is that we through teamwork and fellowship create a good working environment. We have a unique customer focus, which can only come from dedicated and motivated people.

We aim to help you in the best way possible, whether it is about finding the right product, providing quick technical advice or fast deliveries. That is what drives us to find the ideal solutions and to constantly improve our products and expertise.

We have a large warehouse, which means that you can get components directly from us, sometimes as soon as the following day. Our rapid response time gives you a simple and smooth process.



We are present in Sweden, Denmark, Norway, Finland and Taiwan. Our head office with main workshop and warehouse is located in Helsingborg, Sweden.



YOUR PARTNER IN PERFECTION

A large part of our business is to develop and design unique customer solutions for linear movement and automation. Our technical experts will team up with you to create the best possible solution based on your specific requirements.

In our workshops in Sweden and Denmark we then assemble the designs. One of the most frequent solutions is aluminium stand with integrated linear units. We also design and build fully customized solutions with linear rail guides and ball screws.

We have CAD files of all our standard products and we are happy to assist with design proposals. Don't hesitate to contact us. We give you speedy access and fast answers to help you overcome your challenges.

SUSTAINABILITY

Sustainability is an important part of Rollco’s business and has a major focus in our operational and strategic work. It is not only a given for us to run a sustainable business, but also a requirement from our owner Addtech.

For many years now, we have been measuring and evaluating our sustainability work and reporting key figures. Our biggest climate impact is emissions from the transport of goods, and therefore we have an extra strong focus on, together with both customers and suppliers, streamlining freight and finding alternatives with lower carbon footprint.

Our sustainability work means not only that we must meet quality and environmental requirements, but also that we must have a sustainable mindset when it comes to working conditions, environment, and ethics. We think this creates added value for our customers, suppliers, employees, and the society in which we operate.

OUR GOALS

Just like all companies within Addtech, we have measurable and time-bound goals in three focus areas, which clearly shows our ambition and direction. The goals support the UN’s global goals and 2030 Agenda for Sustainable Development.

By building strong alliances with various partners, we secure development towards our 2030 goals and at the same time contribute positively to the development of the global challenges in sustainability.



100%
of sales contribute to sustainable development

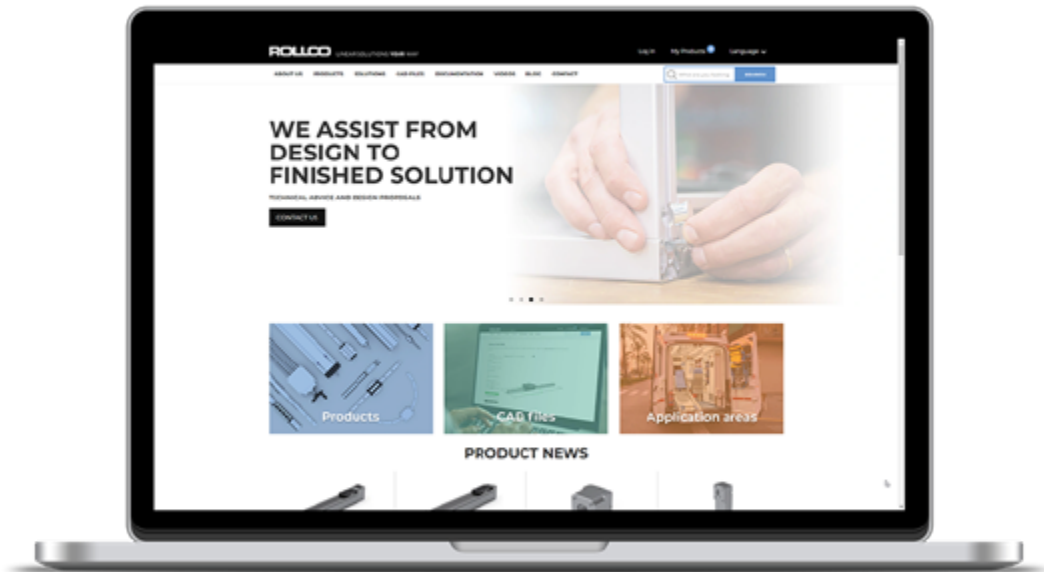


40%
women in leading positions

50%
reduced CO2 intensity



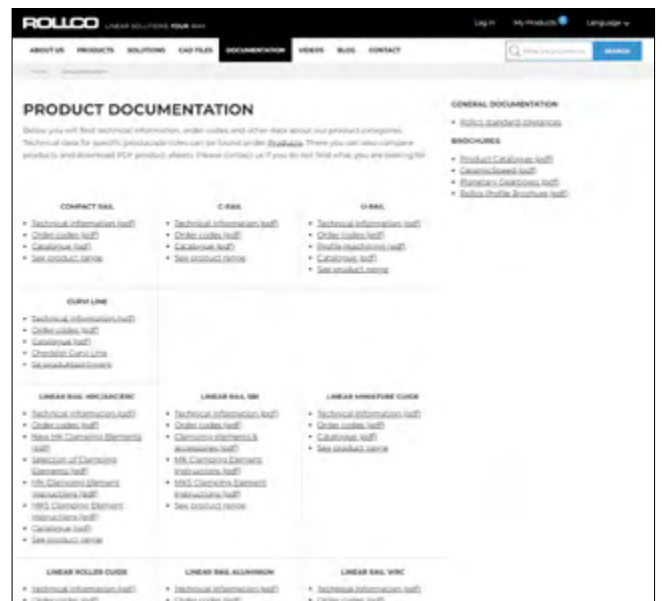
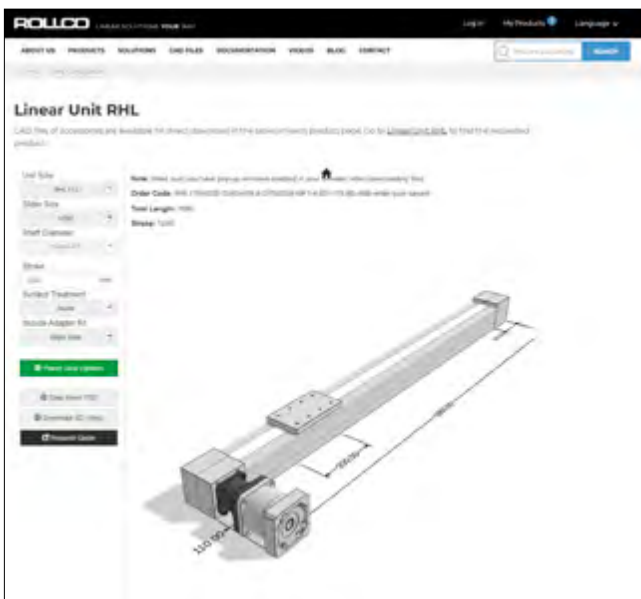
80%
of the purchase volume assessed based on our Code of Conduct



OUR WEBSITES

On our websites you will find all the latest, updated product information. You can easily compare products, download PDFs with product data and create quotation requests.

We provide CAD files for most of our products and in our CAD-configurators you can adapt the products according to your application needs.



You can also find all technical information, order codes, instructions and other data about our product categories.

SUBSCRIBE TO OUR NEWSLETTERS!

The newsletters keep you up on what's happening at Rollco, product news and interesting news related to linear motion. We also inform you about exhibitions and other planned activities. The newsletter is sent about 10 times a year and you can of course cancel your subscription at any time.

The newsletters are available in English, Swedish, Danish, Norwegian and Finnish.

Go to our websites to sign up!



LINEAR RAIL SYSTEMS WITH ROLLERS

Our product range of linear rails include different profiles and types of sliders and are used in a wide range of industrial applications.



COMPACT RAIL

System of guide rails and roller sliders with radial bearings. The system compensates for both deviation in parallelism and height offset and therefore often reduce the overall cost by minimized machining and installation time. The rails are surface hardened steel and the sliders zinc-plated steel.



C-RAIL

Economic roller based linear guiding which also offers a smooth and quiet operation. Available in zinc plated or stainless steel. The stainless version makes it versatile in demanding environments with water and humidity. The non-hardened rail makes C-Rail less suitable for heavy duty operation if compared to Compact Rail.



U-RAIL

A robust system which compensates for alignment errors and can be welded on existing constructions. The rails are available in steel or stainless steel. Rollers in steel, chrome-plated steel, stainless and for high speed, lined with hard PU or PA.



CURVI LINE

A system for curved rails with constant or variable radius. The system is customised for each specific application. Available in zinc plated or in stainless steel.

COMPACT RAIL

PRODUCT OVERVIEW

It simplifies the design, improves the performance and reduces the application cost with 8 main advantages.



Self-aligning system

- Select the most suitable structure for your project
- Avoid machining the mounting surface
- Reduce the assembly time



Up to $\pm 2^\circ$ with K+U rails



Up to $\pm 2^\circ$ with K+U rails

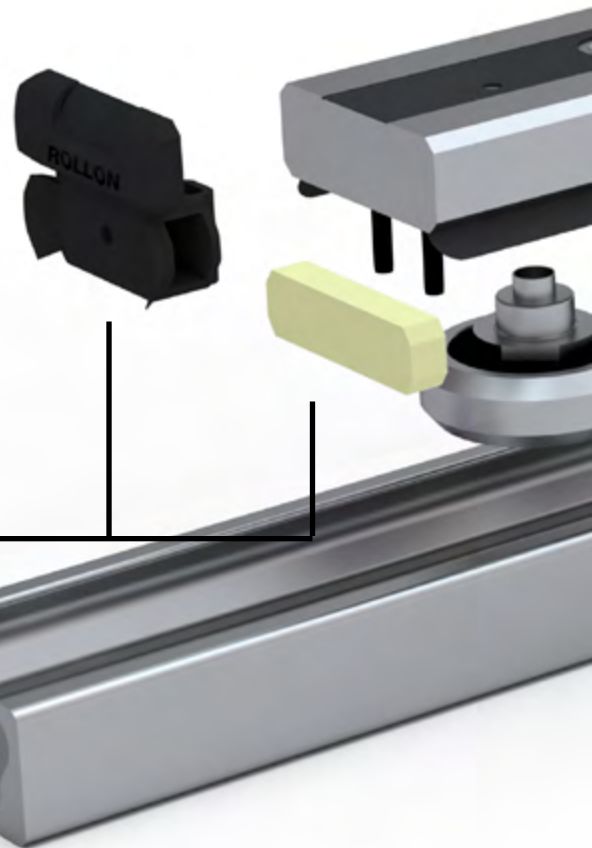


Up to 3.9 mm with T+U or K+U rails

Configurations of rails and rollers



Rails with different geometries + single row ball bearings



Optimal reliability in dirty environments

Lateral sealing for a greater protection against contaminants
 New self-centering wiper for an optimal cleansing of the raceways



Long lifetime

Induction hardened raceways with 1.2 mm effective depth and hardness between 58 and 62 HRC



Resistant to corrosion

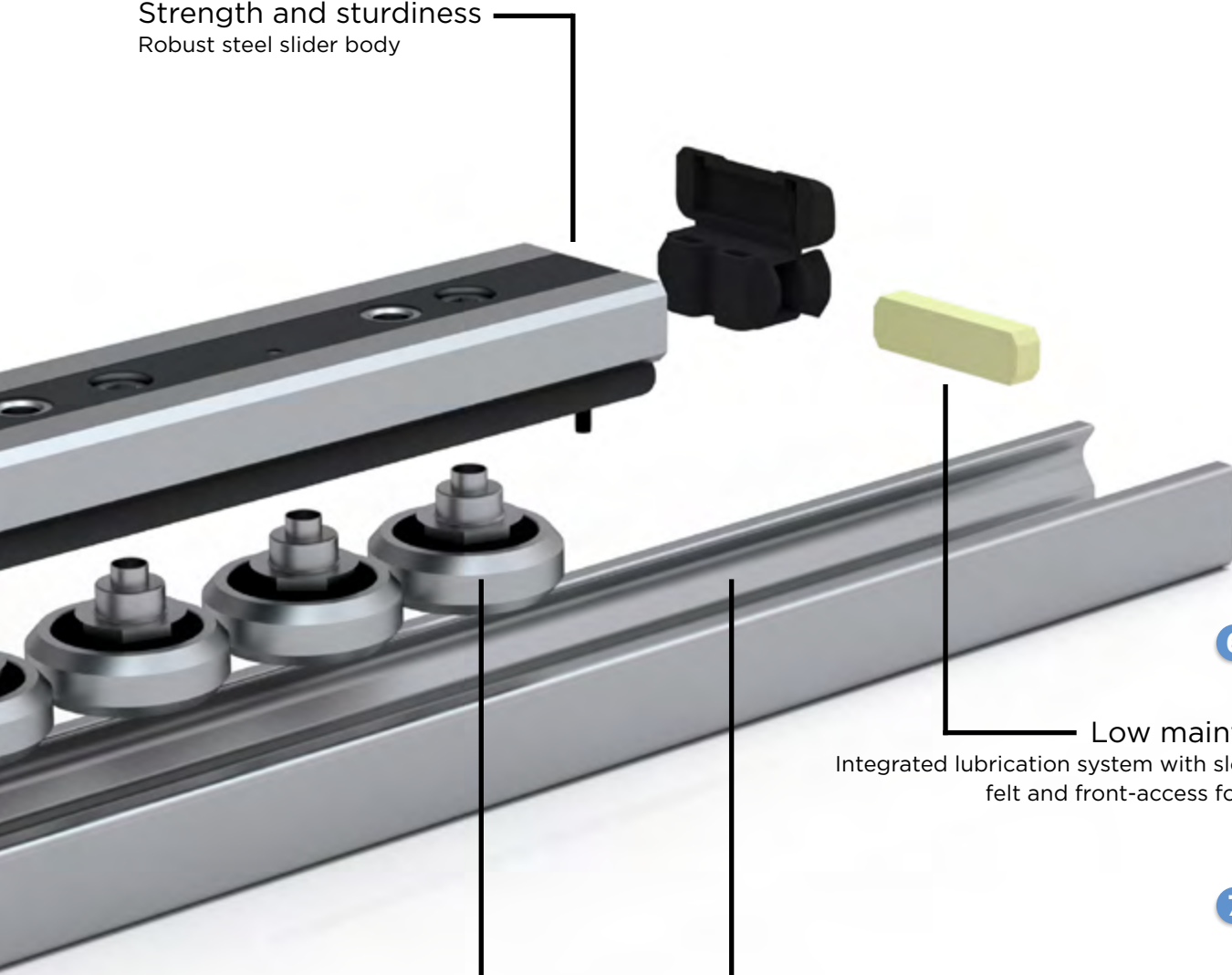
Different surface treatments make Compact Rail reliable even in the harsher environments

- Indoor applications: zinc-plating ISO 2081. Also available with electro-painted black finishing
- Corrosive environments (humidity): electrolytic plating with high resistance passivation alloy
- Corrosive environments (acidic or basic): nickel-plating



Strength and sturdiness

Robust steel slider body



Low maintenance

Integrated lubrication system with slow release felt and front-access for greasing



Uniquely quiet

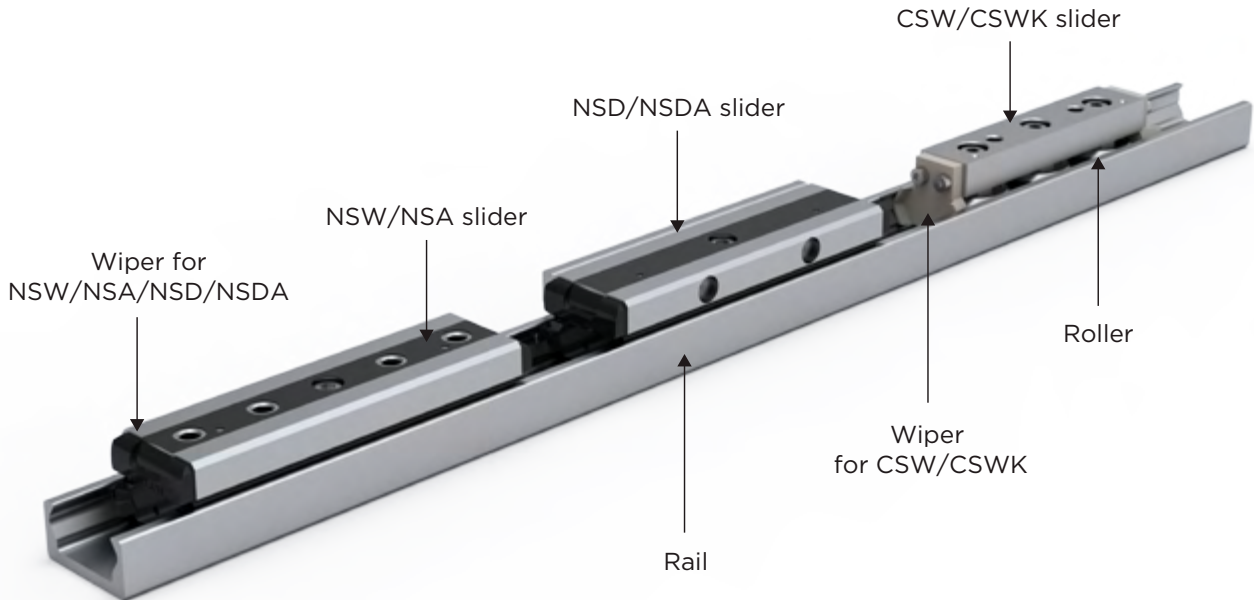
Ground raceways for a smooth and silent movement



High dynamics

Speed up to 9 m/s. Acceleration up to 20 m/s²

Self-aligning system with rails and robust steel sliders



Compact Rail is a product family of guide rails including roller sliders with radial bearings. These rollers roll in the internal, induction hardened, and ground raceways of a C-profile. Base material is made from cold-drawn roller bearing carbon steel.

Compact Rail consists of three product series: the fixed bearing rail (T), the compensating bearing rail (K) and the floating bearing rail (U). They can be combined to create self-aligning systems to compensate misalignment errors on two planes: axially up to 3.9 mm and radially up to 2°.

All products are available in zinc plated surface, whilst other treatments for higher corrosion resistance are as options. There are four different sizes of guide rails and many different versions and lengths of the roller sliders, differing on the size and load requirements.

CHARACTERISTICS

- Compact size
- Corrosion resistant surface for long service life
- Not sensitive to dirt due to internal raceways and large rollers
- Hardened and ground raceways
- Self-aligning in two planes
- High operation speeds
- Wide temperature range
- Easy adjustment of slider in the guide rail
- Quieter than recirculating ball systems
- Different anticorrosion treatments available for rails and slider bodies

APPLICATION AREAS

- Cutting machines
- Medical technology
- Packaging machines
- Photographic lighting equipment
- Construction and machine technology (doors, protective covers)
- Robots and manipulators
- Automation
- Handling
- Special vehicles

Note! Compact Rail products are for sale on selected markets. Please contact us for more information.

PRODUCTS



Slider NSW/NSA

Robust zinc plated steel slider with roller bearings, self-centering heads with wipers, longitudinal seals to protect the internal components and a top sealing strip to prevent accidental tampering of the fixed rollers. The slider body is accurately finished with matte longitudinal edge chamfer and a shining ground flat surface. It is available for all sizes, configurable with up to six rollers depending on the load requirement.



Slider NSD/NSDA

Constructed as the NSW/NSA-slider with mounting holes parallel to the direction of preferred loading. It is available for sizes 28 and 43, with three or five rollers, depending on load case and load direction set with the corresponding configuration.



Slider CSW/CSWK

Constructed with zinc-plated steel body and sturdy wipers made of polyamide. Available for all sizes. Depending on the load requirement, slider is configurable with up to six rollers.



Rollers CPN-CPA

Prismatic roller for T- and U-rail. Available individually in all sizes as eccentric or concentric rollers. Optionally available with splash-proof rubber seal 2RS or with steel cover disc 2Z.



Rollers CRPN-CRPA

Crowned roller for K-rail. Available individually in all sizes as eccentric or concentric rollers. Optionally available with splash-proof rubber seal 2RS or with steel cover disc 2Z.



T-Rail

Fixed rails used as the main load carrier in radial and axial forces.



U-Rail

Floating rails are used for load carrier of radial forces and, in combination with the fixed bearing T-rail or compensation K-rail, as a support carrier for occurring moment loads.



K-Rail

The compensation rails are used for the load carrier of radial and axial forces. Tolerance compensation in two planes in combination with the U-rail.



ZK-WNS Wipers

Wipers for NSW/NSA/ NSD/NSDA. The NS-slider heads are equipped with special slow release felt pads and are free to rotate with respect to the slider body, so that the felts are always in contact with the raceways to ensure a perfect lubrication.



ZK-WCS Wipers

Wipers for CSW/CSWK to keep the raceways free of contamination and ensure a longer service life.



Joining rail alignment fixture

For installation of joined rails to precisely align the rails with each other.



Fixing screws

For rails with counter-bored holes.



Oiling syringe

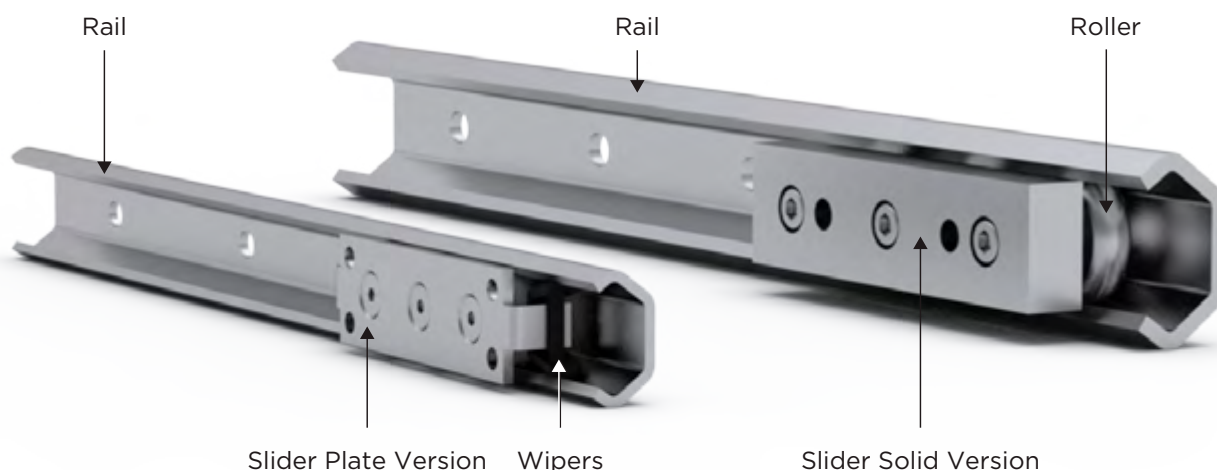
For lubrication of the sliders NSW/NSA/NSD/NSDA

See our website for technical specifications, CAD-configurator and other information.



Note! Compact Rail products are only for sale on selected markets. Please contact us for more information.

C-RAIL

PRODUCT OVERVIEW

Rollco C-Rail compact and quiet linear guide with low friction. The system is suitable for applications in dusty environments where precision is not the main factor. It is a simple and cost-effective linear bearing. The stainless steel version is perfect for applications where corrosion resistance is important.

C-Rail has internal raceways to guarantee the best level of protection against impurities, debris and external abuse. The sliders have three radial ball bearings with double rubber seals and are lubricated for life. These rollers have eccentric pivots that allow adjusting the preload when mounted inside the rail.

C-Rail is available in zinc plated or in stainless steel AISI304 version. For AISI316, please contact Rollco. The stainless steel version (SXTE) is ideal for applications where water, temperature fluctuations or high temperatures occur.

The system is available in three different sizes, 20, 30 and 45.

CHARACTERISTICS

- Corrosion resistant even after scratching, etching and chipping (stainless steel version)
- Can be used in washdowns (stainless steel version)
- Resistant to high temperatures and temperature changes
- No coatings that could flake or chip
- Low coefficient of friction
- Ecological and recyclable materials

APPLICATION AREAS

- Food industry: production and packing of food/ beverages
- Chemical and environment industry: water treatment devices
- Medical industry: analysis equipment
- Transport industry: sliding doors and boat constructions
- Power industry: boilers and house fireplaces
- Mechanical devices: car wash and automatic gates
- Machine tools: protective panel movement

PRODUCTS



Slider Plate Version

Stainless steel body with wipers and with either standard steel or stainless steel rollers.



Slider Solid Version

Stainless steel body with either standard steel or stainless steel rollers.



Rollers for Plate Version

Concentric and eccentric rollers for plate version slider. Available in standard or stainless bearing steel.



Rollers for Solid Version

Concentric and eccentric rollers for solid version slider. Available in standard or stainless bearing steel.



Rail

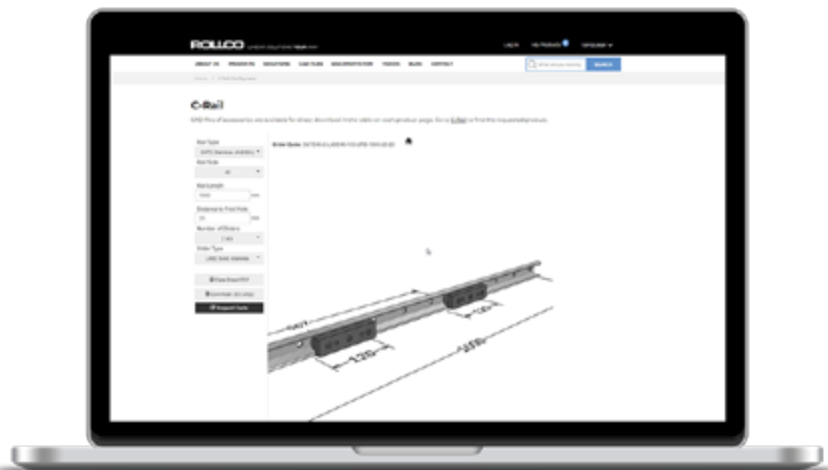
Standard zinc plated steel or stainless steel C-Rail.



Button Head Screws (ISO 7380)

Zink plated and stainless steel screw for C-Rail.

See our website for technical specifications, CAD-configurator and other information.



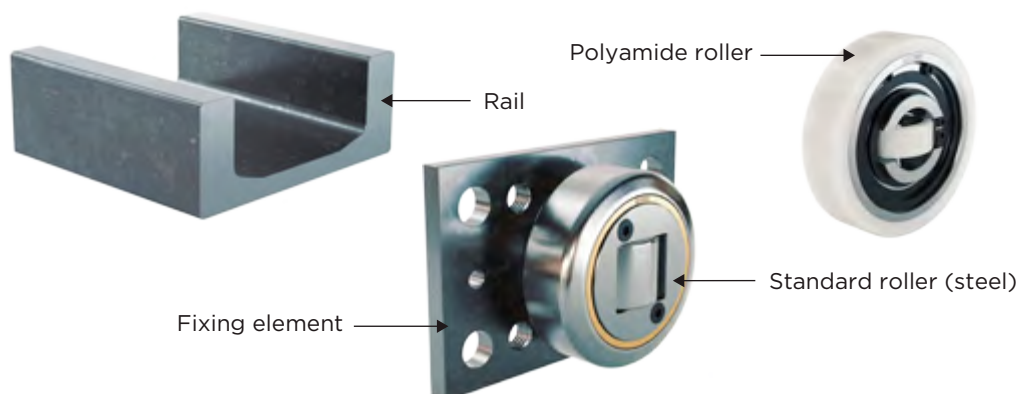
U-RAIL

PRODUCT OVERVIEW

U-Rail is robust system where precision is secondary. The profiles can be welded on existing constructions and the rollers can be delivered with or without assembly plates. The U-Rail system is designed to compensate for deviations in parallelism.

The smallest rail has an external width of 48.5 mm and the largest 440 mm. The rollers are available in many different dimensions, from 40 mm outer diameter with a load capacity of 60 kg, up to 340 mm diameter with a load capacity of 26 000 kg/roller.

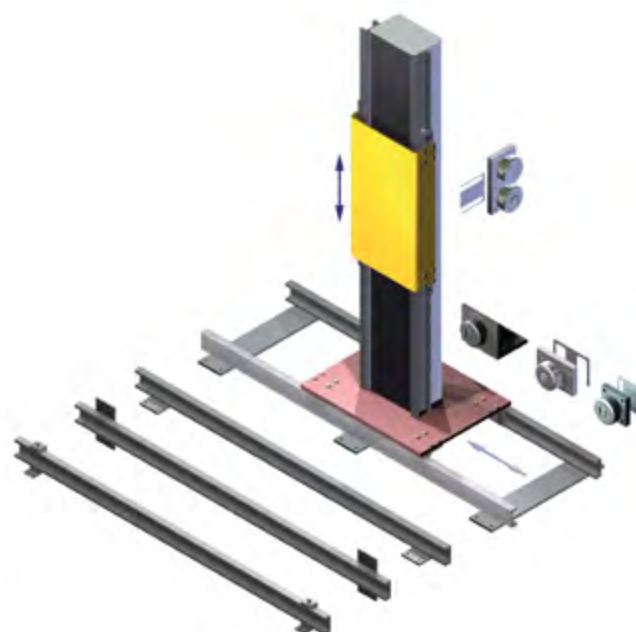
U-rail is available in three different sizes in steel or stainless steel, which makes it suitable for applications in very demanding environments. For smaller loads or high speed, it is possible to get polyamide rollers for a quieter and smoother operation.

**CHARACTERISTICS**

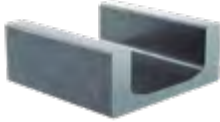
- Heavy load
- Handles problem with parallelism
- Easy to assemble
- Solid structure
- Endless length

APPLICATION AREAS

- Lifts
- Forklifts
- Packaging machines
- Automotive industry
- Steel industry
- Nuclear power plant (reactors)

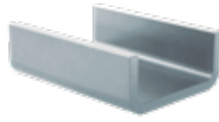


PRODUCTS



UP---.0700

Standard U-Profile (steel, 18MnNb6 with niobium and vanadium), good weldability and available in various surfaces. High load capacity. robust and simple. Suitable for high radial and axial loads.



UP---.0730

Light and silent U-Profile (steel, S235 JR). Can be welded or screwed on. High manufacturing precision, low weight and great damping properties. Ideal for high speed and quiet applications.



XUP---.0700

Heavy U-Profile (steel, 25MnV5mod), extra strong with high load capacity and durability.



UP---.0780

Stainless steel (1.4301) U-Profile with high chemical resistance. Ideal for applications requiring a high chemical resistance to alcohol, salts, greases and certain dilute acids and alkaline solutions.



IP---.0800

Standard I-Profile (steel, 18MnNb6 with niobium and vanadium), good weldability and available in various surfaces. High load capacity, robust and simple. Suitable for high radial and axial loads.



TR---.0200

Standard roller with fixed axial bearing. Easy installation, low maintenance and easy to replace.



TR---.0300

Standard roller with adjustable axial bearing. Easy installation and adjustment, low maintenance and easy to replace.



TR---.0360

Standard roller with adjustable oilamide slider Easy installation and low maintenance. Highly loadable in the axial direction when idle.



STR---.6200

Heavy-duty roller with external axial bearing, welded to a mounting plate. Optimum use in structures with projecting loads. Axial bearing with 40% higher load capacity.



PAS ---.0200

Polyamide roller with fixed axial bearing. Suitable for highly dynamic applications with low axial loads. High abrasion and chemical resistance and low friction.



PAS ---.0360

Polyamide roller with oilamide sliding block. Suitable for highly dynamic applications with low axial loads. High abrasion and chemical resistance and low friction.



PSAS ---.6200

Polyamide heavy-duty roller with external axial bearing, welded to a mounting plate. Suitable for high axial load applications. High abrasion and chemical resistance and low friction.



TR---.0390

Stainless steel roller adjustable oilamide slider. Protected against corrosion. Easy installation and adjustment, low maintenance and easy to replace.



STR---.4200

Heavy-duty stainless steel roller with external axial bearing, welded to a mounting plate. Protected against corrosion, made completely of stainless steel. Optimum use in structures with projecting loads.



XTR---.0200

Extra strong roller with fixed axial bearing. Up to 60% higher load capacity. High accuracy, strength and long service life. Easy installation, adjustment and maintenance.



XTR---.0300

Extra strong roller with via spacer rings adjustable axial bearing. Up to 60% higher load capacity. High accuracy, strength and long service life. Easy installation, adjustment and maintenance.



XSTR---.6200

Extra strong heavy duty roller with external axial bearing, welded to a mounting plate. Optimum use in structures with projecting loads. Axial bearing with 35% higher load capacity.



SFE---.5200

Heavy duty guideway unit axial bearing with 40 % higher load capacity. Consists of one load bearing and one eccentric bearing fastened on a mounting plate. Excentric bearing adjustable to minimize clearance.



BQ---.1000

Steel, square fixing element to be welded to guide bearing.



BQ---.4000

Stainless steel, square fixing element to be welded to guide bearing.



BR---.1100

Steel, rectangular fixing element to be welded to guide bearing.



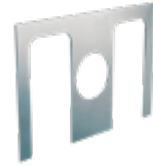
BR---.4100

Stainless steel, rectangular fixing element to be welded to guide bearing.



Distance Sheet BQ

Square spacer element of steel or stainless steel. Optimal for adjustment of welded-in guide bearings.



Distance Sheet BR

Rectangular spacer element of steel or stainless steel. Optimal for adjustment of welded-in guide bearings.



Distance Ring

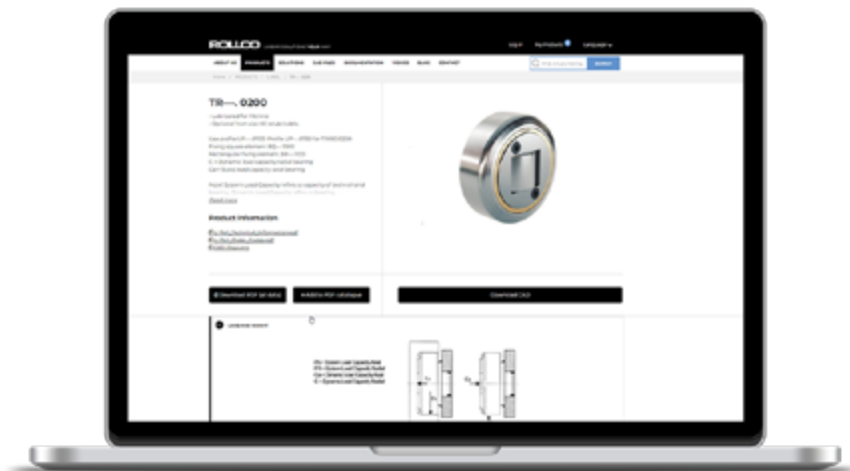
For adjustment of the axial clearance of guide bearings



KS---.3650

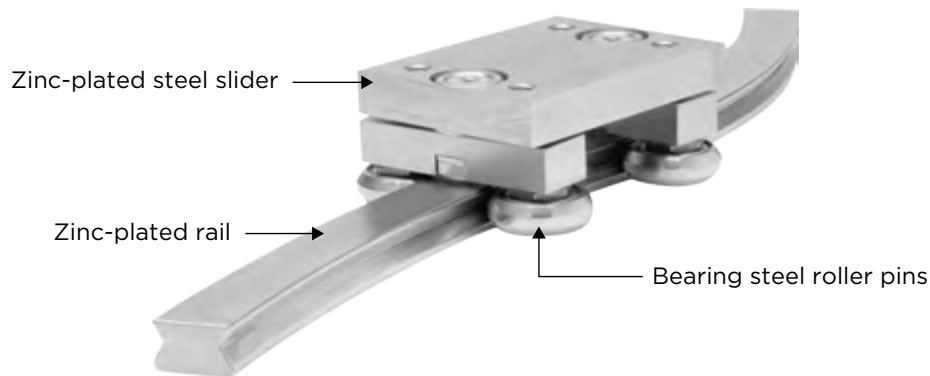
Clamp console for U-profiles and precision U-profiles from size 050 up to 090. For short assembly time and easier exchange of guide profiles.

See our website for technical specifications, CAD-files and other information.



CURVI LINE

PRODUCT OVERVIEW



Curvi Line is a rail system with curved rails intended for all non-linear special movements. The system is customised for each specific application, resulting in a highly flexible and economical solution.

Curvi Line is available in two rail widths and zinc plated or in stainless steel. Rails can be ordered with constant or variable radius according to customer requirements. The use of standard radii is recommended.

CONSTANT RADII

The layout of CKR guide rails corresponds to a partial section of a complete circle.

VARIABLE RADII

CVR curvilinear rail is a variable combination of various radii and straight partial pieces.

The slider, with either three or four rollers, maintains the desired preload over the entire rail layout. Moving roller mountings and the paired application of concentric and eccentric roller pins ensures uniform running even with a complex rail layout.

CHARACTERISTICS

- Straight and curved sections in one continuous rail possible.
- Sliders with four rollers arranged in pairs maintain the preload over the entire rail length.
- Customised according to application requirements.
- Available in stainless steel.

APPLICATION AREAS

- Packaging machines
- Railway car interior doors
- Special extensions
- Shipbuilding (interior doors)
- Food industry

PRODUCTS



Slider CCT

Slider with radial ball bearing rollers. Moving roller mountings and the paired application of concentric and eccentric roller pins ensures uniform running even with a complex rail layout.



Rail CKR/CVR

Rail with constant radius or variable radius with straight sections. Available in two widths, 16 mm and 23 mm.

See our website for technical specifications and other information.

**Note! Curvi Line products are only for sale on selected markets.
Please contact us for more information.**

LINEAR RAIL SYSTEMS WITH BALLS

Rollco linear rails can be used for the majority of linear motion applications. The linear rails can be supplied with different types of surface treatments and be customised with sealings suitable for various environments.



LINEAR RAIL HRC/ARC/ERC

- Size 15-55
- Load capacity ≤ 220000 N
- Available with corrosion resistant coating
- Bottom mounted or counterbore rails
- Ball chain (option) for quiet operation



LINEAR RAIL SBI

- Size 15-65
- Load capacity ≤ 350000 N
- Available with corrosion resistant coating, Raydent
- Bottom mounted or counterbore rails



LINEAR RAIL WRC

- 2 sizes
- Load capacity ≤ 30000 N
- Wide rail guides with optional ball chain
- Available with corrosion resistant coating
- Bottom mounted or counterbore rails



LINEAR RAIL ALUMINIUM

- Size 15-25
- Bottom mounted or counterbore rails
- Corrosion resistant
- Low weight



LINEAR MINIATURE GUIDE

- Size 3-15
- Load capacity ≤ 12580 N
- For compact applications
- Stainless steel as standard
- Wide and narrow versions

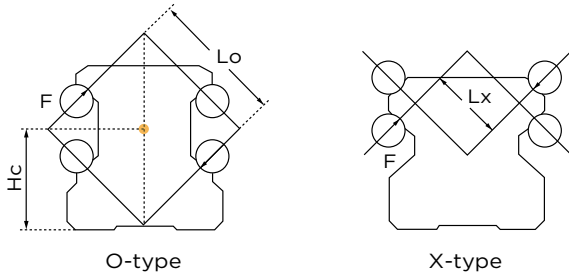


LINEAR ROLLER GUIDE

- Size 25-65
- Load capacity ≤ 579000 N
- High rigidity
- High carrying capacity at static loads
- Vibration resistant

LINEAR RAIL HRC/ARC/ERC PRODUCT OVERVIEW

Linear rail guides with optional ball chain for sizes 15-45. The HRC/ARC/ERC systems have the four steel ball rows in a O-type arrangement which gives a 45-degree contact angle to the rail, which in turn achieves an equally high load capacity in all four directions. The linear rail guides also have larger and more steel balls that increase the load capacity, moment, and torsional stiffness.



Rail guide with ball chain keep the balls separated within the slider and offers high contact area between balls and ball chain, which keeps the lubricant film intact and provides a low noise level with extended service life. The ball chain does not affect the dimensions of the slider, so they can be used on the same type of rails.

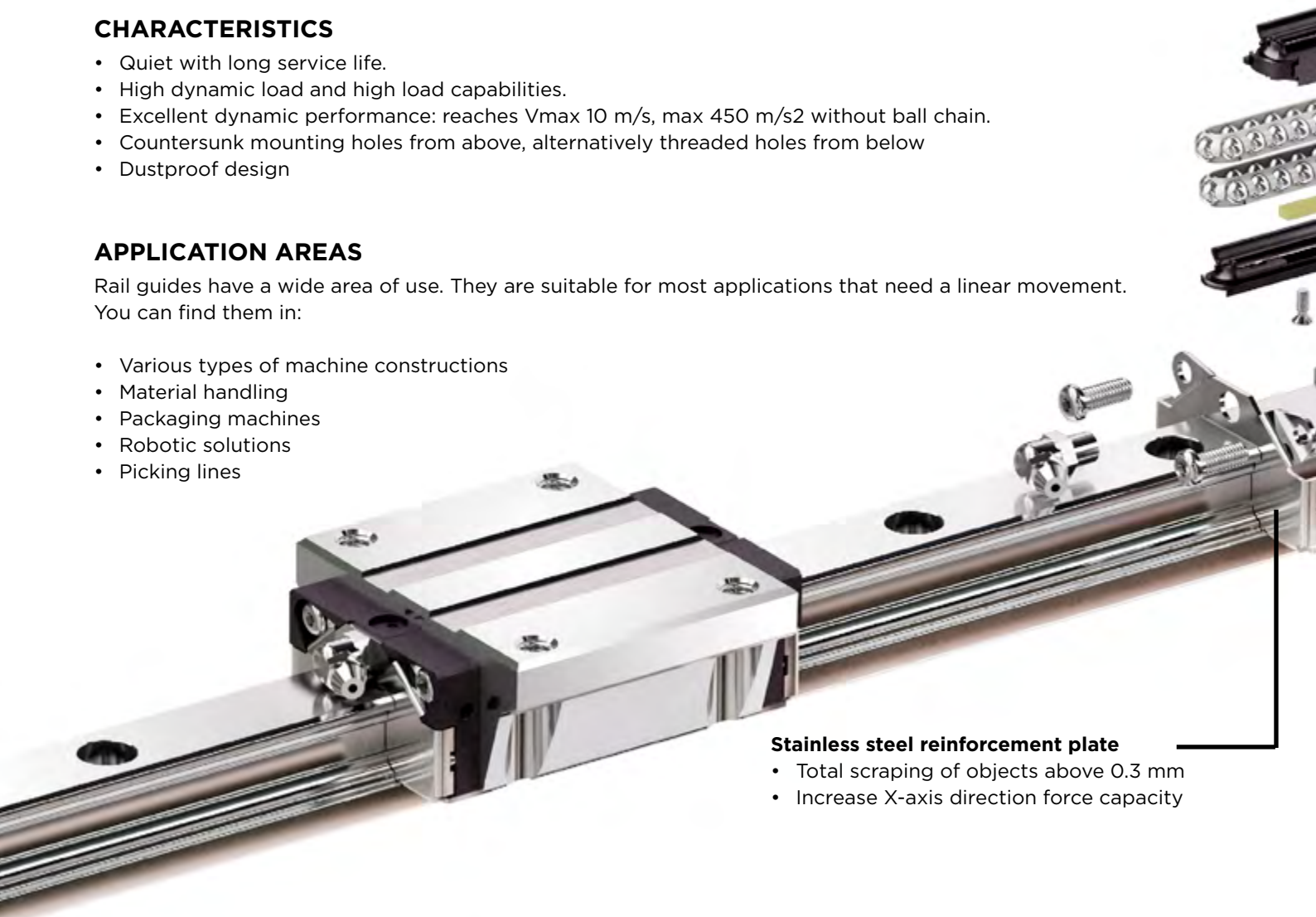
CHARACTERISTICS

- Quiet with long service life.
- High dynamic load and high load capabilities.
- Excellent dynamic performance: reaches V_{max} 10 m/s, max 450 m/s² without ball chain.
- Countersunk mounting holes from above, alternatively threaded holes from below
- Dustproof design

APPLICATION AREAS

Rail guides have a wide area of use. They are suitable for most applications that need a linear movement. You can find them in:

- Various types of machine constructions
- Material handling
- Packaging machines
- Robotic solutions
- Picking lines

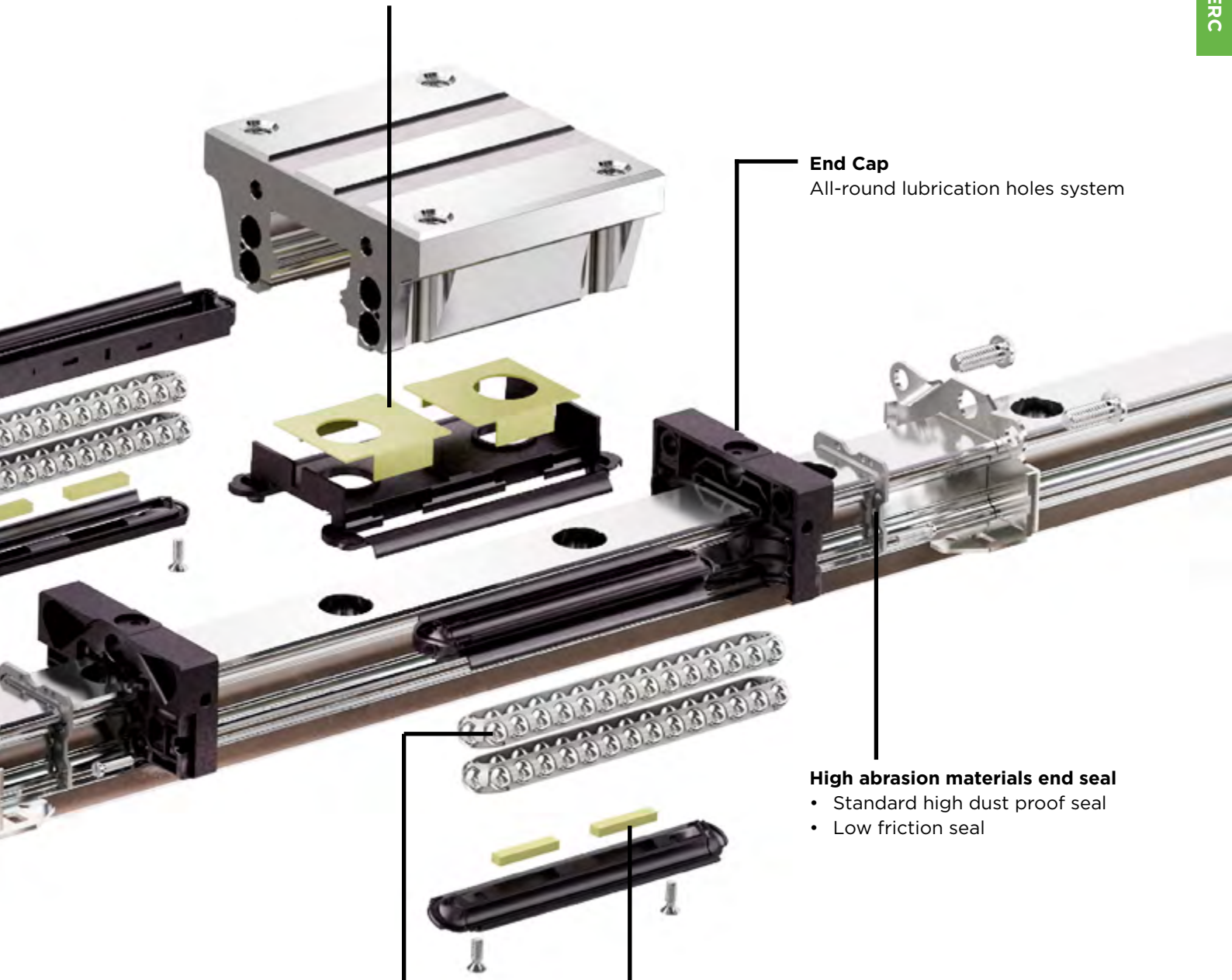


Stainless steel reinforcement plate

- Total scraping of objects above 0.3 mm
- Increase X-axis direction force capacity

Inner Lubrication storage Pad (Upper)

- Length of the runner block will not be increased
- Full lubrication contact with balls, suitable for short stroke movement



End Cap

All-round lubrication holes system

High abrasion materials end seal

- Standard high dust proof seal
- Low friction seal

Ball Chain

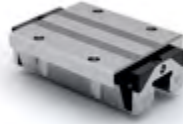
- Patented design of reverse operations
- Ball chain for size 15 to 45

Inner lubrication storage pad (Bottom)

PRODUCTS



HRC FN
Most common
Flanged type block
Standard length
Standard height



HRC FL
Flanged type block
Long block
Standard height



HRC MN
Slim type block
Standard length
Standard height



HRC ML
Slim type block
Long block
Standard height



ARC FN
Flanged type block
Standard length
Low height



ARC FS
Flanged type block
Short block
Low height



ARC MN
Slim type block
Standard length
Low height



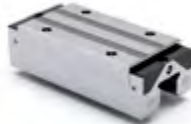
ARC ML
Slim type block
Long block
Low height



ARC MS
Slim type block
Short block
Low height



ERC MN
Slim type block
Standard length
Low height



ERC ML
Slim type block
Long block
Low height



HRC Rail
Counterbore from above



HRU Rail

Tapped from the bottom



NBR Seal / Metal Scraper

Extra protection for harsh environments



HK Clamping Element

Manually operated clamping element.



Adapter Plate for HK Clamping Element

To compensate for different block heights



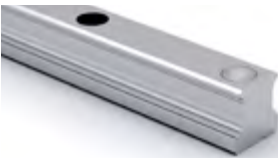
MK Clamping Element

Pneumatic clamping element, normally open



MKS Clamping Element

Pneumatic clamping element, normally closed by spring force



Metal-Plastic Cap

Stainless cap to prevent dirt/scrap on rail



Main body of Grease Gun

Grease gun suitable to combine with Lubrication kit GP-PT1/8-01



Lubrication kit GP-PT1/8-01

Lubrication Kit is with a supply nozzle and three kinds of different nozzle adaptors

See our website for technical specifications, CAD-configurator and other information.

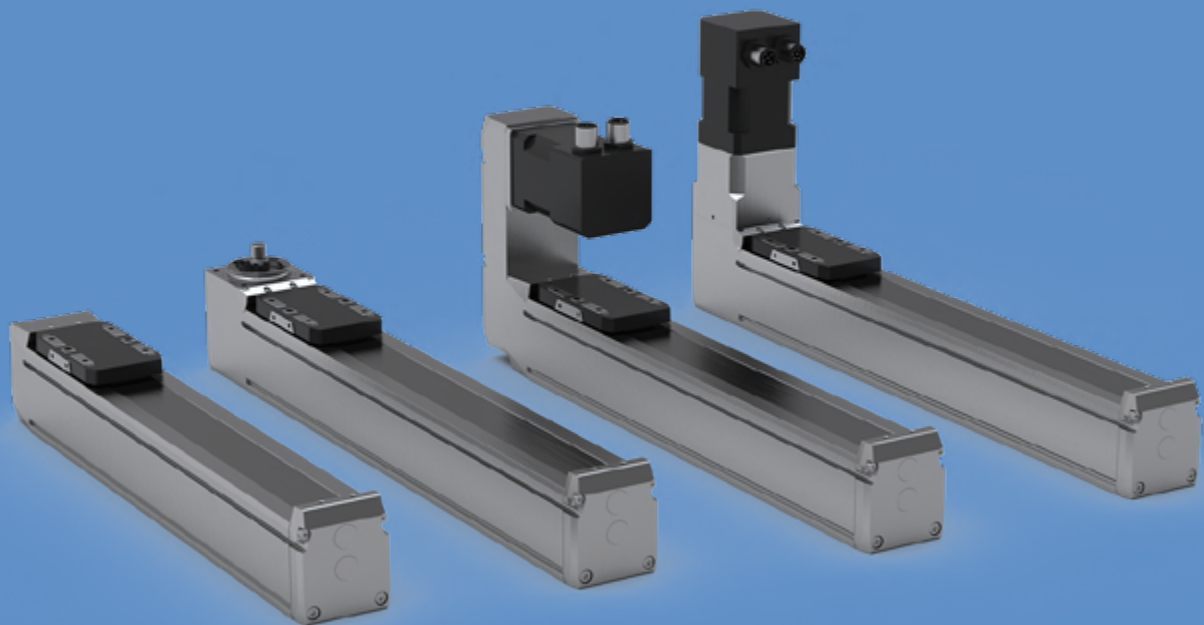


NEW!

MINI LINEAR UNITS MGBS & MGTB

Modular and cost-effective rod-less electromechanical linear drive units. They feature a high capacity and high precision linear guide system with either a precision ball screw (MGBS) or a timing belt transmission (MGTB) to convert a rotary input to linear motion and force.

Read more on page 64.



LINEAR RAIL SBI

PRODUCT OVERVIEW

Linear Rail SBI is a guide system with high load capacity that can be used for most linear applications. The blocks have four ball rows, ensuring high capacity from all load directions. Linear Rail SBI is designed with a low rail profile and wide base which allows great stability in manufacture and operation. There is a wide range of blocks to meet all application requirements. All rails come in either top or bottom mounting versions.

The linear rail system can be supplied with different types of surface treatments. The rail guides blocks can also be customised with sealing suitable for various environments.

CHARACTERISTICS

- High stiffness and load capacity
- Easy maintenance
- Dust-proof design
- Wide range of accessories such as lubrication seals, dust seals, steel scrapers, etc.
- Raydent surface treatment for increased rust protection

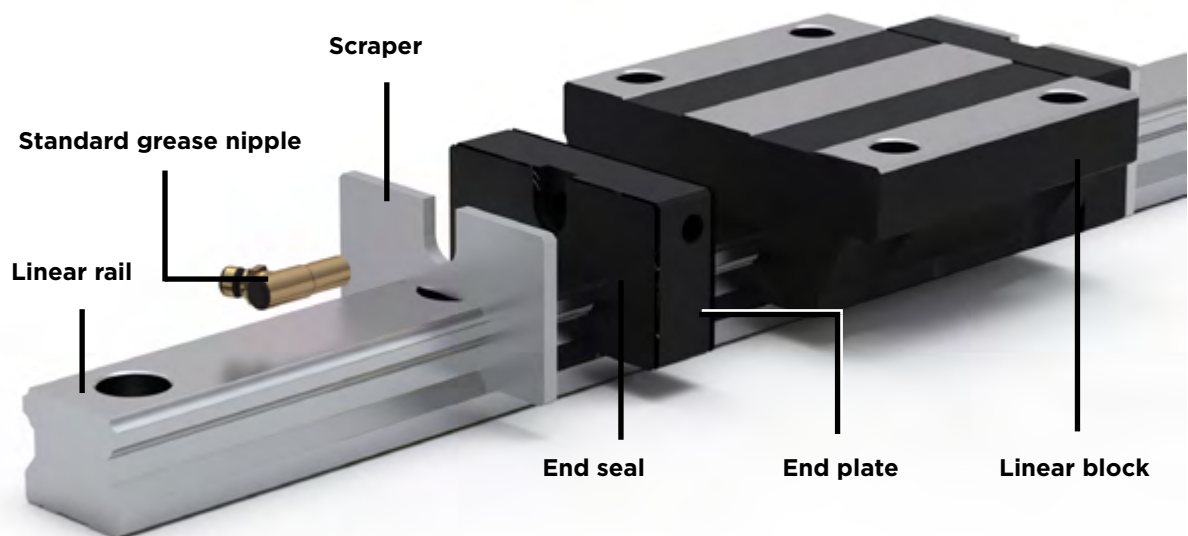
APPLICATION AREAS

Rail guides have a wide range of applications in linear motion. You will find them in:

- Various types of machine constructions
- Material handling
- Packaging machines
- Robotic solutions

RAYDENT TREATMENT

The rails and blocks can be supplied with the surface treatment Raydent. The treatment gives a corrosion resistant and patented black surface. Balls of stainless steel are available as option. Please contact Rollco for more information.



PRODUCTS



SBI FL

Most common
Flanged type block
Standard/normal length
Standard height
Available with Raydent treatment

SBI SL

Slim type block
Standard/normal length
Standard height
Available with Raydent treatment

SBI FLL

Flanged type block
Long block
Standard height
Available with Raydent treatment



SBI-SLL

Slim type block
Long block
Standard height
Available with Raydent treatment

SBI-HL /-HLS /-CL /-CLS

Slim type block
Standard/normal length
Low height
Available with Raydent treatment

SBI HLL / SBI CLL

Slim type block
Long block
Low height
Available with Raydent treatment



SBI FV

Flanged type block
Short block
Low height
Available with Raydent treatment

SBI SV

Slim type block
Short block
Low height
Available with Raydent treatment

Standard Rail SBI

Counterbore from above
Available with Raydent treatment



Bottom Mounting Rail SBI-B

Tapped from the bottom
Available with Raydent treatment

ST Stainless Dustproof Tape

Tape for improved rail sealing

ZZ Steel Scraper

Protects block from contaminants



DF Seal High Dust Proof

Dustproof end seal



MF Container Self Lubricant

Self-lubricant container, end seal



RCS Clamping Element

Manually operated clamping element



Adapter Plate for RCS Clamping Element

To compensate for different block heights



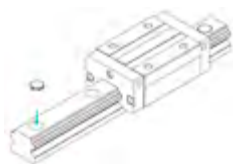
MK Clamping Element

Pneumatic clamping element, normally open



MKS Clamping Element

Pneumatic clamping element, normally closed by spring force



RC Cap

Rail cap to prevent dirt/scrap on rail

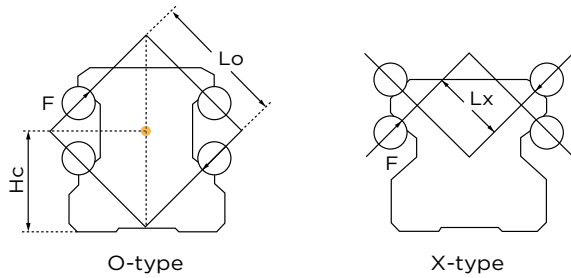
See our website for technical specifications, CAD-configurator and other information.



LINEAR RAIL WRC

PRODUCT OVERVIEW

Wide linear rail guides with optional ball chain for all sizes. The WRC system has the four steel ball rows in a O-type arrangement which gives a 45-degree contact angle to the rail, which in turn achieves an equally high load capacity in all four directions. The linear rail guides also have larger and more steel balls that increase the load capacity, moment, and torsional stiffness



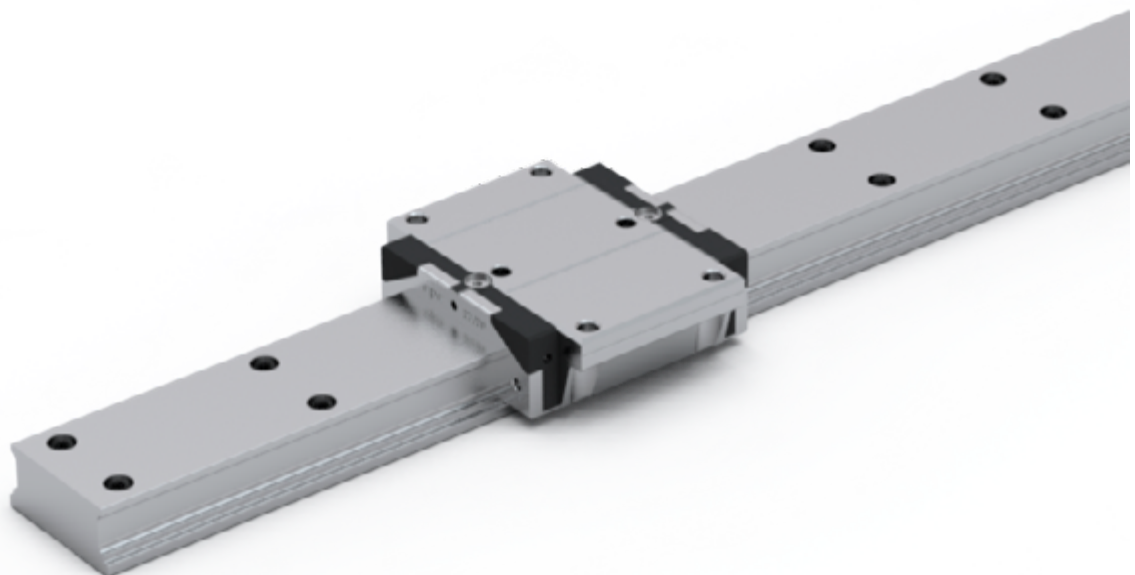
Rail guide with ball chain keep the balls separated within the slider and offers high contact area between balls and ball chain, which keeps the lubricant film intact and provides a low noise level with extended service life. The ball chain does not affect the dimensions of the slider, so they can be used on the same type of rails.

CHARACTERISTICS

- Quiet with long service life
- High quality
- High speed ball chain
- Dustproof design

APPLICATION AREAS

- Applications involving only a single rail
- Material handling
- Precision engineering solutions
- Equipment for high-speed transport
- Blow moulding machines



PRODUCTS



WRC MN

Standard length - standard height



WRC FN

Flanged - standard length - standard height



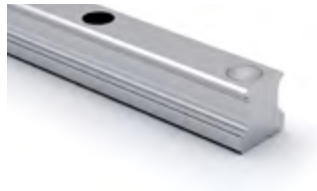
WRC Rail

Counterbore from above



WRU Rail

Tapped from the bottom



Metal-Plastic Cap

Stainless cap to prevent dirt/scrap on rail

See our website for technical specifications, CAD-files and other information.

LINEAR MINIATURE GUIDES

PRODUCT OVERVIEW

Linear guide system in miniature sizes suitable for applications with limited space. Typical application areas for these miniature guides are within pharmaceutical and electronic industries.

The rails are available in a wide and a narrow version with sizes ranging from 2 mm to 15 mm. They are available in two versions, with holes for fixing from above, and with holes for fixing from below. The sliders come in two versions, short and long. Both sliders and rails are manufactured of stainless steel. The sliders have two ball rows and have a high load capacity in relation to its size.

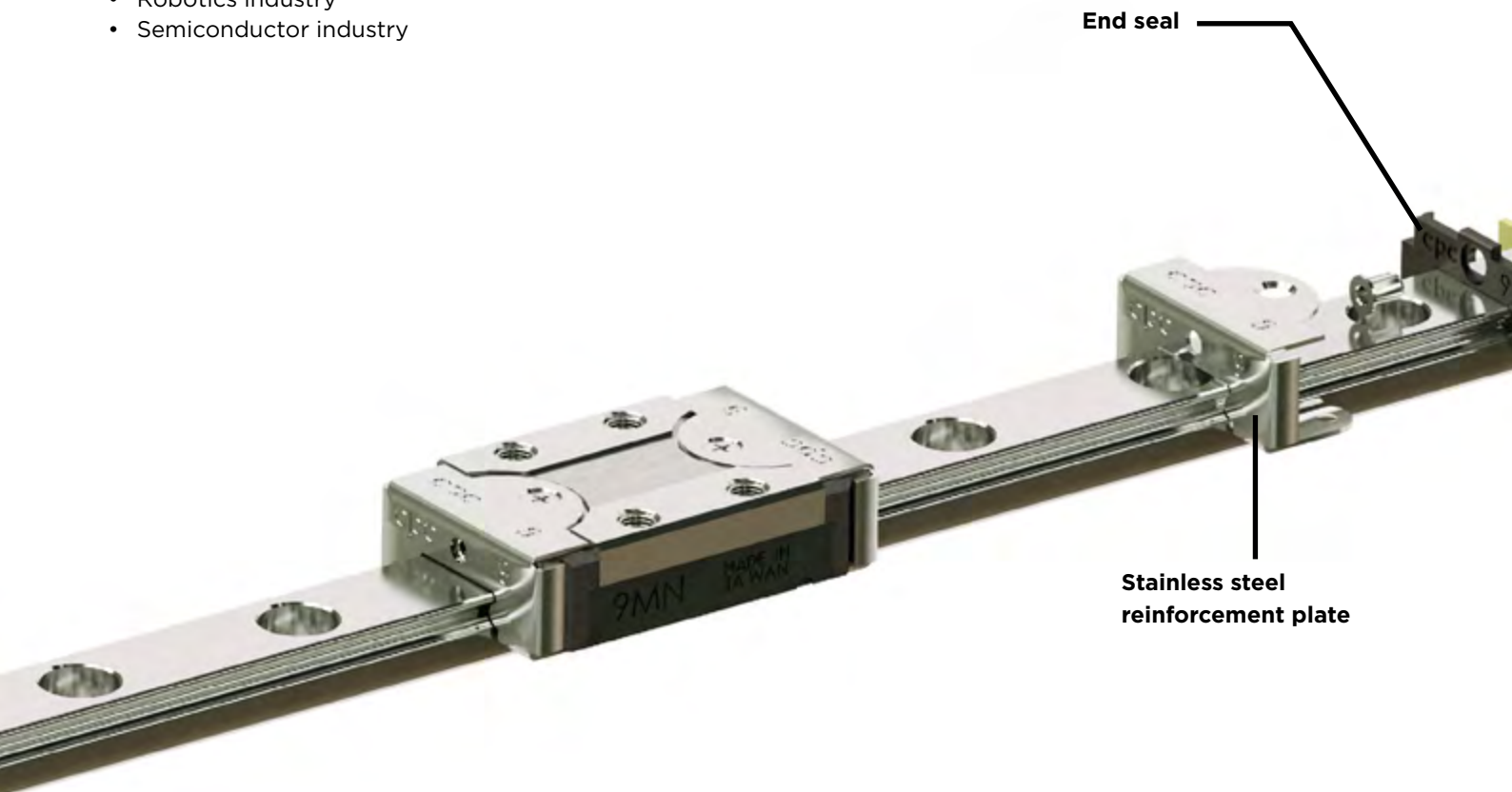
The miniature rail guides are designed to manage dusty environments and it has a built-in grease sealing.

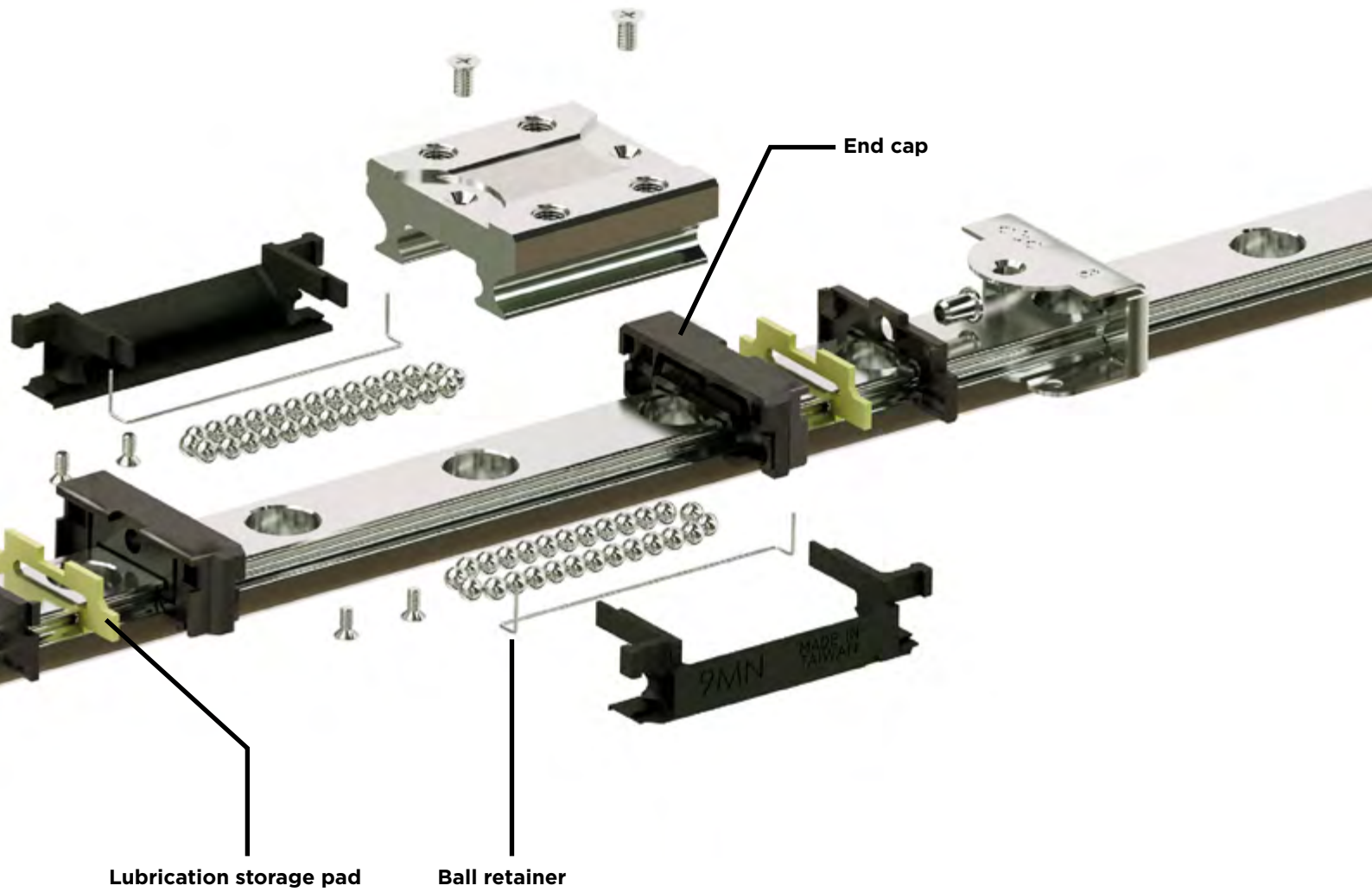
CHARACTERISTICS

- Integrated ball-retainer restrict the balls from falling out of the block before assembly
- Unique ball re-circulation design
- Self-lubricating built-in seal
- Stainless steel material on both block and rail
- Steel reinforced end caps
- Dust proof design
- Available in three accuracy grades

APPLICATION AREAS

- Pick & place robots for test tubes or liquid pumps
- Automated laboratory processes
- Electronics industry
- Robotics industry
- Semiconductor industry





PRODUCTS



MR-M ZUE Series
Block with reinforcement plate and integrated lubrication



MR-W ZUE Series
Wide block with reinforcement plate and integrated lubrication



MR-M SS Series
Standard block with end seal



MR-W SS Series
Wide block with end seal



Standard MR-M Rail
Hardened ground rail



Wide MR-W Rail
Wide hardened ground rail



Standard MRU-M Rail
Hardened ground rail with threaded holes for mounting from below



Wide MRU-W Rail
Wide hardened ground rail with threaded holes for mounting from below



Lubrication Syringe
For lubrication of miniature rail guides

See our website for technical specifications, CAD-files and other information.

LINEAR RAIL ALUMINIUM

PRODUCT OVERVIEW

Aluminium linear rail systems are designed to replace standard linear rail guides in steel under certain conditions such as wet or corrosive environment and if low weight is important. The rails consist of extruded aluminium having two pressed-in hardened stainless steel profiles serving as the raceways for the balls of the runner blocks. Advantages are the light weight and corrosive resistant materials. Fixing holes in the attachment surfaces enable machine parts to be directly mounted onto the runner blocks. With this combination it is possible for us to offer a guide system which achieves a good price/performance ratio.

The blocks are available in a wide and a narrow version. Slider/blocks can be delivered with a grease container that facilitates maintenance by increasing time between services.

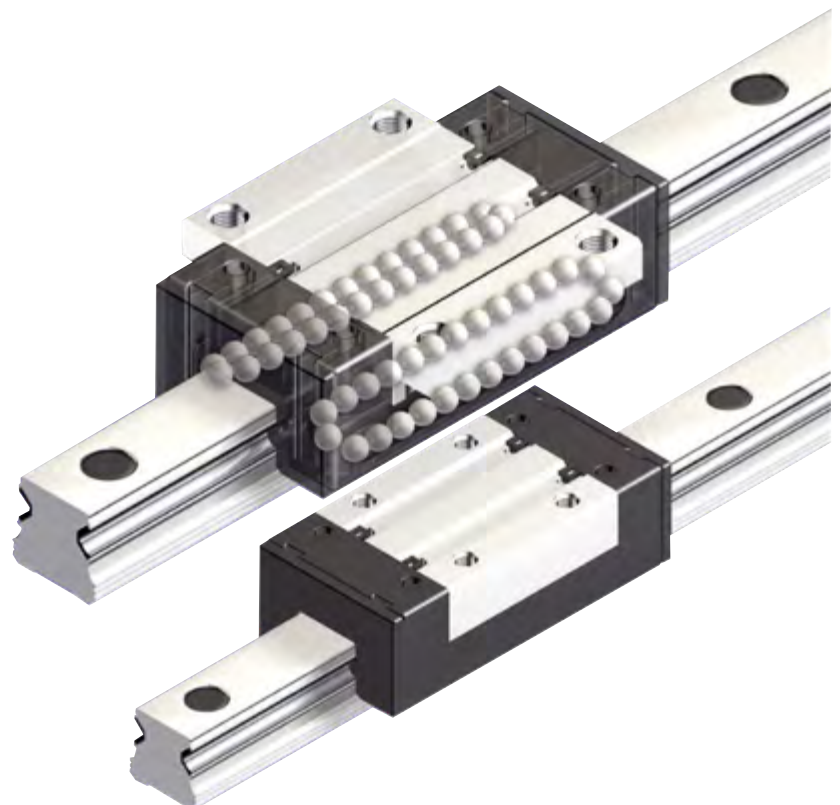
CHARACTERISTICS

- Compact, light-weight design with a weight saving of 60% compared to steel versions.
- Same connection dimensions as steel ball rail systems.
- Much greater parallelism and height offsets of mounting bases possible.
- Insensitive to aggressive environment (such as dust, shavings).
- Significantly better corrosion resistance in comparison to the steel versions.
- Runner blocks initially greased in-factory, therefore provided with long-term lubrication.
- Due to ball retainers, runner blocks can be removed from the rail without any loss of balls.
- Complete interchangeability between runner blocks and rails.
- Both sides of the rail are reference sides. The runner block has one reference side, which can be verified by turning it on the rail.

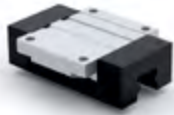
APPLICATION AREAS

Linear Rail Aluminium can be used in a wide range of applications. It is especially suitable for:

- Light machinery
- Handling technology
- Jigs and fixtures
- Assembly technology
- Manual displacement systems,
- Machine enclosures
- Door and window technology
- Booth- and store construction



PRODUCTS



Flanged Block Type FNS

Standard block with flange



Narrow Block Type GNS

Narrow block



Rail Type A

Aluminium rail with counterbore holes



Rail Type B

Aluminium rail with threaded holes for mounting from below



Clamping Element

Manual clamping element



Seal Unit

Greased seal units



Lube Unit with Sealing Function

For continuous lubrication and front seal for dirty environments

See our website for technical specifications, CAD-files and other information.

LINEAR ROLLER GUIDES

PRODUCT OVERVIEW

The Linear Roller Guides are highly developed solutions for the high-tech industry. The optimized design of the rails and the roller guides combined with an integrated lubrication system provides economical as well as technical advantages for this linear roller guide system.

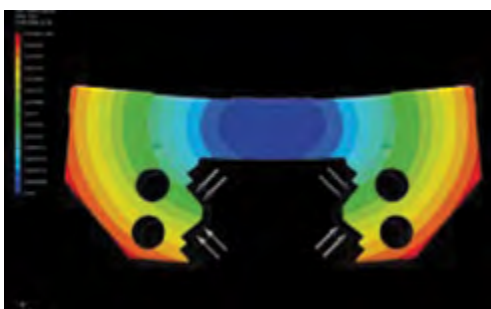
Linear Roller Guides work just like other linear rail guides but uses rollers instead of balls in the four raceways. This gives a significantly higher contact surface between the rail and the slider. Roller Guides are commonly used in applications with high load capacities and a required high rigidity, but where a compact design is also desired.

CHARACTERISTICS

- Long lifetime, high load capacity and stiffness.
- Large contact surface on the entire load zone.
- High operational safety, the construction eliminates transitions between the plastic and steel parts.
- Rails optimized on preload and load capacity.
- Rollers placed in O-shape gives a uniform load on all sides - documented by FEM-analyses.
- Integrated lubrication system. Distribution in the front panel ensures the supply of the tracks with minimal oil or grease.
- Integrated wipers protect the guides in dirty environments. Designed to reduce the leakage of lubricant significantly.

APPLICATION AREAS

- CNC machines
- Punching or pressing machines
- Machine tools
- High vibration applications
- Injection moulding machines

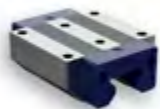


FEM-analysis of LC block



Rollers in O-shape

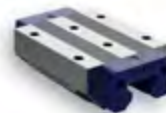
PRODUCTS



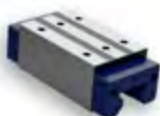
Wide Block Type LC
Standard block with flange



Narrow Block Type SC
Standard narrow block



Wide Block Type LL
Long block with flange



Narrow Block Type SL
Long narrow block



Rail RMG
Hardened ground rail

See our website for technical specifications, CAD-files and other information.

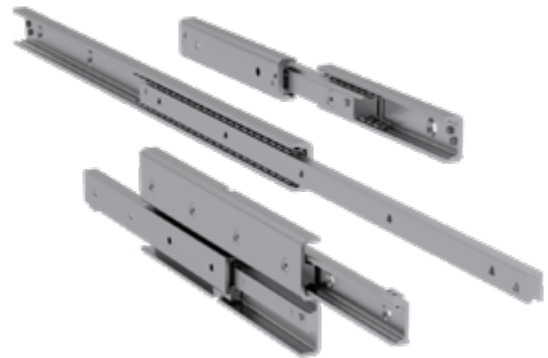
TELESCOPIC RAILS

We offer many different types of telescopic rails: With extension in one or both directions, with 50% or full extension. We also have standard and special solutions for extensions over 100%.



TELESCOPIC RAIL LIGHT

Intended for small and medium-sized loads. The rails are available in various materials; rolled steel, cold drawn steel, stainless steel or aluminium.



TELESCOPIC RAIL HEAVY

Designed for industrial applications. They are ideal for applications subject to frequent motion and high loads which also require minimum deflection and high precision. The rails are made of cold drawn carbon steel for high durability. The raceways are hardened to achieve a smooth and easy operation, even at vibrations and impacts. For applications in special environments, we offer zinc-plated or nickel-plated rails.



EASYSLIDE

A compact and strong solution for applications with limited space. The hardened internal raceways allow high loads and vibrations. It is possible to obtain different stroke variations with the same installation dimensions. Easyslide can be supplied with single, double or synchronised sliders.

TELESCOPIC RAIL LIGHT

PRODUCT OVERVIEW

Rollco Telescopic Rails Light are intended for small and medium loads. The telescopic rails are delivered as standard with extension of up to 140% and are available in lengths from 300 mm to 1500 mm. We also offer special versions with shorter or longer rails.

The rails are supplied in different materials. We recommend rolled steel for smaller loads. Cold drawn steel or aluminium are ideal for medium loads. For applications in special environments, we offer stainless steel, zinc-plated or chemically nickel-plated rails. Lithium based grease is used for lubrication.

CHARACTERISTICS

- Loads from 26 kg/pair to 340 kg/pair.
- 100% and 140% extension as standard.
- Lock function in and out available on some models.
- Compact and easy to assemble.
- Standard in aluminium, steel or stainless steel. Zinc-plated or chemically nickel-plated on request.
- Operating temperatures up to 80° C (for higher temperatures, contact Rollco).

**APPLICATION AREAS**

- Train doors
- Building and machining industry
- Automotive industry
- Packaging machines
- Special machinery

SELECTING GUIDE

There are some factors to consider when selecting a telescopic rail. If you have any questions, please don't hesitate to contact us. We will help you to find the right solution for your application.

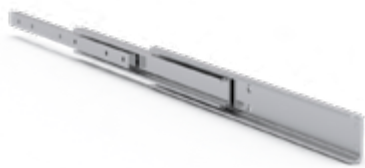
- What is the load of the unit?
- Will your unit be exposed for side loads?
- Is the distance between the pair of slides very large (> two times the closed length of the slides)?
- Do you need 100% extension?
- Is it a horizontal movement?
- Service unit with limited amount of movements or telescopic solution for automation with a large quantity of movements/day?

CUSTOMISED TELESCOPIC RAILS

We also offer a wide variety of customised telescopic slides to meet specific requirements, for example heavier loads, longer or shorter movements and extensions from 0 to over 300%. For applications, which need very high stiffness we recommend telescopic rails made from hardened bearing steel like DSS, DE, ASN and DBN. Other special materials or surface treatments are also available. Furthermore we can provide solutions for vertical movements, automation etc.

Please contact us for more information or see our product range Telescopic Rail Heavy.

PRODUCTS



5030 - 100% Extension

Telescopic 3 beam slide

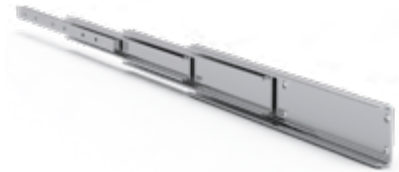
- Stroke 300-1000 mm
- Load \leq 1900 N/pair
- Vibration resistant
- Steel



5040 - 100% Extension

Telescopic 4 beam slide

- Stroke 300-1000 mm
- Load \leq 2600 N/pair
- Vibration resistant
- Steel



5040 - 140% Extension

Telescopic 4 beam slide

- Stroke 420-1400 mm
- Load \leq 1700 N/pair
- Vibration resistant
- Steel



210 Non Lock - 100% Extension

Telescopic ball bearing slide

- Stroke 330-630 mm
- Load \leq 900 N/pair
- Available with lock function
- Aluminium



220 (Right) & 230 (Left) Lock in / Lock out - 100% Extension

Telescopic ball bearing slide with latching system

- Stroke 330-630 mm
- Load \leq 900 N/pair
- Available with lock function
- Aluminium



410 - 100% Extension

Telescopic slide 3 beam

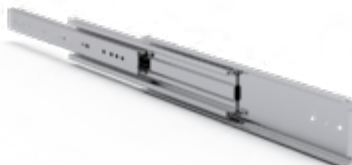
- Lightweight
- Stroke 325-1025 mm
- Load \leq 3400 N/pair
- Available with lock function
- Aluminium



3045 - 100% Extension

Telescopic 3 beam slide

- Low loads
- Stroke 260-710 mm
- Load \leq 450 N/pair
- Glossy galvanized steel



3080 - 100% Extension

Telescopic 3 beam slide

- High loads
- Stroke 304-1524 mm
- Load \leq 1780 N/pair
- Glossy galvanized steel



3560 - 100% Extension

Telescopic 3 beam slide

- Stroke 264-721 mm
- Load \leq 600 N/pair
- Stainless steel SUS 304

See our website for technical specifications, CAD-files and other information.

TELESCOPIC RAIL HEAVY

PRODUCT OVERVIEW

Telescopic Rails Heavy are designed specifically for industrial applications. They are ideal for applications with frequent movements, high loads, minimal deflection and high precision.

The rails are made of cold drawn carbon steel for high durability. The raceways are hardened to achieve a smooth and easy operation, even at vibrations and impacts. The telescopic rails have a load capacity of up to 2 ton/pair. They are available in sizes with stroke lengths up to 2 m in both directions.

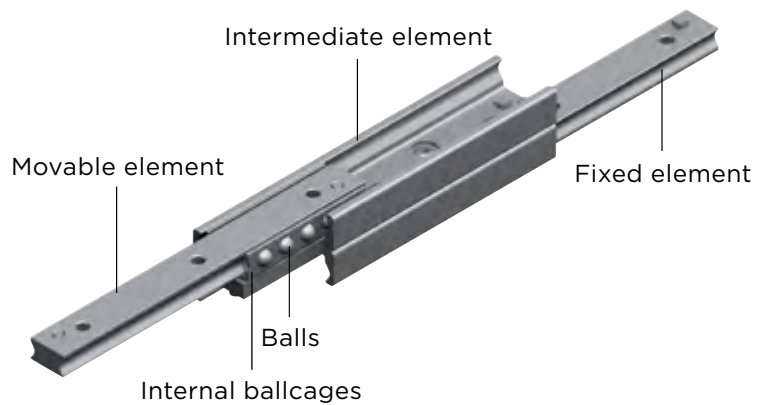
We offer many different types of telescopic rails: With extension in one or both directions, with 50% or full extension. We also have special solutions for extensions over 100%. The telescopic rails come in series ASN, DS-, DE- and DBN. The rails have different cross-sections and intermediate elements in S-shape, double-T or square shape, depending on the model.

CHARACTERISTICS

- High loads with low deflection.
- Rigid intermediate elements.
- Standardised gauge for holes.
- Smooth running even at maximum load.
- Space saving design.
- High reliability.
- Stroke can be customized according to special requirements

APPLICATION AREAS

- Railcars (e. g. maintenance and battery extensions, doors).
- Construction and machine technology (e.g., housings and doors).
- Logistics (e.g., extensions for containers or gripper movements).
- Automotive technology.
- Packaging machines.
- Beverage industry.
- Special machines.



SELECTION OF TELESCOPIC RAIL

Selecting the suitable telescopic rail should be done based on the load and the maximum permissible deflection in the extended state. The load capacity of a telescopic rail depends on two factors: the loading capacity of the ballcage and the rigidity of the intermediate element. For mainly short strokes the load capacity is determined by the load-bearing capacity of the ballcage; for average and long strokes it is determined by the rigidity of the intermediate element. Therefore series, which otherwise contain comparable components, are also suited for different load capacities.

PRODUCTS



ANS

Partial extension one guide rail and slider

- Size 22-63
- Stroke 76-1013 mm
- 65% extension
- Load ≤ 88494 N/pair
- Vibration resistant
- Suitable for frequent movements
- Double strokes as option



DSS

Full extension w. two guide rails, fixed and movable

- Size 28-43
- Stroke 296-2026 mm
- 100% extension
- Load ≤ 10208 N/pair
- Vibration resistant
- Suitable for frequent movements
- Double strokes as option



DSD

Full double-sided extension w. two guide rails, fixed and movable

- Size 28-43
- Stroke 246-1916 mm
- 100% extension
- Load ≤ 11660 N/pair
- Vibration resistant
- Suitable for frequent movements
- Double strokes as option



DE..

Full double-sided extension w. two T-profiles

- Size 22-63
- Stroke 148-2026 mm
- 100% extension
- Load ≤ 14396 N/pair
- Vibration resistant
- Suitable for frequent movements
- Double strokes as option



DBN

Full extension w. guide rails, fixed and movable and two sliders

- Size 22-43
- Stroke 152-2026 mm
- 100% extension
- Load ≤ 2662 N/pair
- Vibration resistant
- Suitable for frequent movements
- Double strokes as option

See our website for technical specifications, CAD-files and other information.

**Note! Telescopic Rails Heavy are only for sale on selected markets.
Please contact us for more information.**

EASYSLIDE

PRODUCT OVERVIEW

Easyslide is a compact and strong linear rail system with long service life. The system consists of a C-shaped linear profile rail with single, double or synchronised sliders with caged ball bearings. The linear rails are manufactured from drawn steel and has hardened internal raceways, which allows high loads and vibrations. Different stroke variations with the same installation dimensions are possible.

Rollco Easyslide is available in three different versions.

SN LINEAR BEARING WITH SINGLE SLIDER - VERSION 1

This linear bearing consists of a guide rail and a slider that runs within the ball cage in the guide rail. High load capacities, compact cross-sections and simple and easy mounting characterize this series. In our product range we only list standard lengths and strokes of version 1. Special strokes and lengths on request.

SN LINEAR BEARING WITH MULTIPLE INDEPENDANT SLIDERS - VERSION 2

Variant with several sliders, which each runs in its own ball cage, independent of each other in the guide rail. Can be configured and used in an almost infinite variety of ways. The most common is to make a symmetrical configuration. Contact Rollco for further advice.

SN LINEAR BEARING WITH MULTIPLE SYNCHRONIZED SLIDERS - VERSION 3

Several sliders run in a common ball cage within the guide rails. The division of the inner slider in two parts have a positive influence on load capacity and running behaviour under high M_z and M_y loads. Contact Rollco for detailed advice and calculations.

CHARACTERISTICS

- Inductive hardened raceways
- Rails and sliders made of cold-drawn bearing steel
- Balls made of hardened bearing steel
- Ball cage made of steel
- Electrolytic zinc-plating as per ISO 2081; increased anticorrosive protection on request
- For horizontal installation only

APPLICATION AREAS

- Transportation industry (e.g. exterior and interior rail and bus doors, seat adjustments, interior)
- Construction and machine technology (e.g. housings, protective covers)
- Medical technology (e.g. X-ray equipment, medical tables)
- Automotive technology
- Logistics (e.g. handling units)
- Packaging machines (e.g. beverage industry)
- Special machines



PRODUCTS



SN

Sizes 22-63

C-shaped linear profile rail with single, double or synchronised sliders with caged balls

See our website for technical specifications, CAD-configurator and other information.



Note! Compact Rail products are only for sale on selected markets.
Please contact us for more information.

NEW!

TIMING BELT CONVEYORS TB40 & TB80

Offers stepwise and precise positioning of transported goods. It is a flexible solution for lateral movement of long products, and gives easy access for e.g., grippers or lifting devices.

When using cleats, the timing belt conveyor is a very good solution for inclined or declined transportation of goods.

Read more on page 91.



BALL SCREWS, LINEAR BALL BEARINGS & STEEL SHAFTS

We have a wide range of ball screws, bearings and shafts to meet all requirements. We customise all ball screws and shafts in our own workshop in Helsingborg according to your requests.



BALL SCREWS

The range includes, in addition to various sizes, pitches and precisions, many different variations such as ball screws with flange, thread or pre-tensioned double nut.

Many accessories available, such as support units, housings and nuts with flanges.



LINEAR BALL BEARINGS & STEEL SHAFTS

Our linear ball bearings are available in closed, open, compact or self-aligning versions with corresponding shafts in many sizes.

The shafts are manufactured of steel, stainless or chromium plated versions and can be delivered with radial holes. Accessories include housings, shaft blocks, shaft supports etc.

BALL SCREWS

PRODUCT OVERVIEW

A ball screw converts rotary motion into linear motion. Ball screws are used when a rigid and precise linear driving with high efficiency and intensity is required. The rigidity in combination with the high lead accuracy gives the ball screw drive a precision of 1/10 to a 1/1000 of a millimetre depending on selected play or preload. Due to rolling friction between screw shaft and ball nut, the practical efficiency of a ball screw is between 80 - 90%. This saves energy and motor size. It also allows high intensity as the power losses (waste heat) is 5 to 10 times lower compared to trapezoidal screws.

Depending on required force, speed and durability, different diameters and leads can be selected. A correct selected and maintained ball screw have a very long and predictable service life. Compared to many other linear drive mechanisms, there is practically no gradual loss of performance or precision during the service life.

The Rollco product range is based on rolled ball screws. Rolled ball screws offer the best price-performance for automation, handling and light machine tool needs.

In our workshop in Helsingborg, we customise ball screws according to our customers' requests. The ball screws are available in standard sizes from 6 mm to 63 mm. Among the accessories, there are different types of support units, housings and nuts with flanges.

CHARACTERISTICS

- High rigidity
- High efficiency
- Optimal price-performance ratio
- Sizes from Ø6 mm to Ø63 mm.
- Additional types on request.

APPLICATIONS

- Machine industry
- Machine tools
- Automated storage and retrieval systems
- Semiconductor industry
- Medical industry



PRODUCTS



FSCR/FSCL

Ball nut with flange, for right & left lead screw (SR/SL), most common type



FDCR

Ball nut, double, with flange, for right lead screw (SR)



FSER

Ball nut with flange, long lead, for right lead (SR) screw



RSCR

Ball nut cylindrical with thread, internal recirculation, for right lead (SR) screw



RSKR

Ball nut, miniature, cylindrical with thread for right lead (SR) screw



SFYAR

Ball nut with flange, overlead, for right lead (SCR) screw



SFKR

Ball nut, miniature, with flange for right lead (SCR) screw



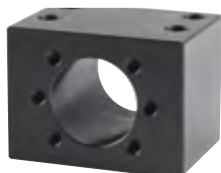
SNFSCR

Safety nut for ball screw



RN/RN.W

Lock nut for ball screw



RNB

Housing for ball nut FSCR/FSCL



BKN

Support unit for end of ball screw machined accordingly



BFN

Support unit for end of ball screw machined accordingly



FKN

Support unit for end of ball screw machined accordingly



FFN

Support unit for end of ball screw machined accordingly



WBK..DF/WBK..DFF

Support unit heavy load for end of ball screw machined accordingly

See our website for technical specifications, CAD-configurator and other information.



LINEAR BALL BEARINGS & STEEL SHAFTS

PRODUCT OVERVIEW

SHAFTS

Rollco precision shafts are characterized by high material quality, surface hardness and surface quality, as well as high precision in terms of dimensions and shape. The shafts are made of steel, hard chrome or two types of stainless steel (X46, X90). Stainless steel design is well suited for applications in medical technology, food industry and other production lines. In cases where high wear resistance and even higher corrosion resistance are required, hard chrome plated precision shafts are a good alternative. We also stock hollow shafts and shafts with pre-drilled radial holes.

LINEAR BALL BEARINGS

Our ball bearings are available in locked, open, compact and self-adjusting versions. We also offer ball bearings in stainless steel. Accessories include ball bearing housings, support units and end supports.

In our workshop we cut and machine shafts according to our customers' requirements. We can therefore offer great flexibility and fast deliveries. We have a well-developed machine park with the possibility of turning, milling, radial drilling and more.

CHARACTERISTICS

- Ball bearings in steel and stainless steel
- Shafts in different materials for different needs
- Shafts machined according to drawing
- Shafts in size 5mm-80mm (additional sizes on request)

APPLICATION AREAS

- Packaging machines
- Material handling
- Molding tools
- Food industry
- Medical technology



PRODUCTS



SBE
Self-aligning closed type linear ball bearing, Ø 16-50 mm.



LME
Closed type, linear ball bearing, Ø 5-60 mm.



LMES
Closed type stainless, linear ball bearing Ø 8-40 mm.



LME...UUOP
Open type, linear ball bearing, Ø 12-50 mm.



KH
Compact type, linear ball bearing, Ø 6-50 mm.



KBA...UU
Linear unit, closed type, Ø 12-50 mm.



KBA...UUOP
Linear unit, open type, Ø 16-40 mm.



LMEK...UU
Linear unit with flange, Ø 8-60 mm.



LMEK...LUU
Linear unit with flange, long type, Ø 12-60 mm.



W
Hardened precision steel shaft, Ø 5-80 mm.



WV
Chrome plated hardened precision shaft, Ø 10-40 mm.



WRB
Hardened precision stainless steel shaft X46, Ø 5-60 mm.



WRA

Hardened precision stainless steel shaft X90, Ø 8-50 mm.



WH

Hardened precision steel shaft hollow, Ø 12-50 mm.



WB

Hardened precision steel shaft predrilled, Ø 12-40 mm.



SK

Shaft support block, Ø 12-50 mm.



SHF

Shaft support block, Ø 12-40 mm.



FTSN

Aluminium shaft support with flange, for drilled shafts Ø 12-40 mm.



FTSU

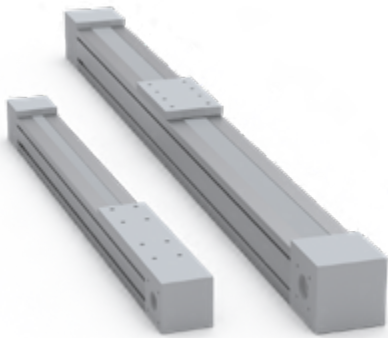
Aluminium shaft support low type, for drilled shafts Ø 16-40 mm.

See our website for technical specifications, CAD-files and other information.

LINEAR UNITS

Complete, linear units with belt or spindle drive. The units are ready for installation, which saves both construction and assembly time. All linear units can be combined to various multi-axis linear systems.

Linear Units RHL and QME are manufactured and assembled in our workshop, which ensures very short delivery times. We have various accessories in stock and can manufacture motor flanges and make other adjustments according to your needs.



LINEAR UNIT RHL

Belt driven unit with linear rail and toothed belt, compatible with structural systems. The stroke length is selectable per millimetre from 0 up to 10 m.

LINEAR UNIT CT & MT

Linear Units CT & MT provide high precision and come with either ball screw or belt drive. Compact dimensions provide high load capacities, high speed, accuracy and repeatability.



LINEAR UNIT QME

Unit consisting of a linear table with linear ball bearings on hardened shafts, driven by ball- or lead-screw. Bellows, hand wheels, mechanical position counters and many other options are available.

MINI LINEAR UNIT MGBS & MGTB

Modular and cost-effective rod-less electro-mechanical linear drive units. High capacity and high precision linear guide system with either a precision ball screw (MGBS) or a timing belt transmission (MGTB) to convert a rotary input to linear motion and force.

LINEAR UNIT RHL

PRODUCT OVERVIEW

RHL is a complete linear unit with rail guide and toothed belt. The unit is delivered ready to mount and thereby saves both design and assembly time. Other advantages are that it is compact and compatible with structural systems.

Linear Unit RHL is available in two sizes, RHL80 and RHL110. The units are based on aluminium profile and equipped with linear rail, belt and pulleys. The stroke length is selectable per millimetre from zero up to 10 metres.

We cut and assemble everything in our own workshop, which enables very short delivery times. We have various accessories such as T-slots, angles and mounting plates in stock. We can also manufacture motor flanges and make other adjustments according to customer specifications.

CHARACTERISTICS

- Compact
- Compatible with common profile systems
- Suitable for xyz applications
- Customized variants possible

APPLICATION AREAS

- Pallet handling
- Filling, printing and marking/labelling
- E-commerce flows, e.g. sorting of postal parcels
- Pick & place applications
- Warehouse elevators



PRODUCTS



Linear Unit RHL

Complete linear unit with linear rail and toothed belt
Size 80 and 110



Adapter kit RHL

Connects linear unit RHL with a planetary gearbox.



Sensor

Precise readjustment, all-electronically, vibration resistant, high protection class

Various T-slots, angle brackets and fixing elements are also available.

See our website for technical specifications, CAD-configurator and other information.

Add a planetary gearbox for a complete solution

We offer planetary gearboxes that connects to linear units RHL by using our adapter-kit. The planetary gearboxes are available in both straight and right-angle execution. See section Planetary Gearboxes in this catalogue for further information.

In our CAD-configurator it is easy to design your linear unit and planetary gearbox by yourself. You can then download associated CAD-files.



LINEAR UNIT QME

PRODUCT OVERVIEW

By using Linear Unit QME from Rollco you save both time and money. The units are designed to fulfil the need of an easy to mount unit for medium precision requirements. The units are ready to mount linear tables guided with linear ball bearings on hardened shafts and driven by ball- or lead-screw. There is a wide variety of executions available for quick delivery from our workshop.

Selectable standard options are:

- Bellows
- Hand wheel
- Screw locking
- Mechanical position counter
- Left+right drive units
- Magnetic end position switches

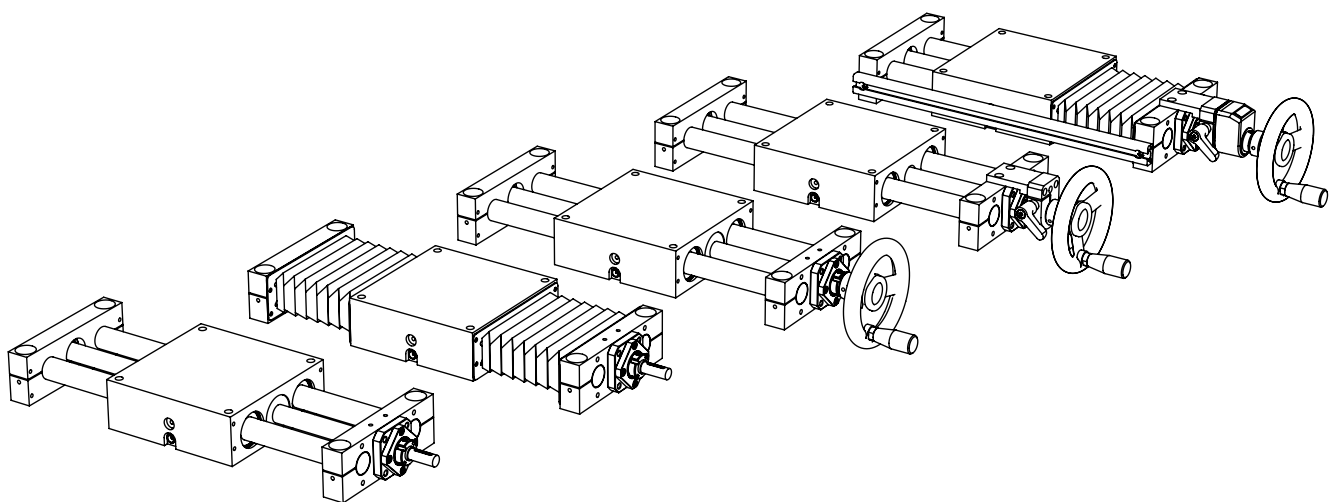
Ask us if you need higher level of corrosion resistance, low/high temperature versions, other screw-leads or screw types, customized machining of the drive- and mounting-interfaces and so on.

CHARACTERISTICS

- Linear ball bearings used for lowest friction and minimal and persistent play.
- With low backlash ball screw for motor-drive or trapezoidal screw with bronze nut for manual operation.
- Customized mounting flange for motor and/or customized end-machining of the screw shaft available.
- Corrosion resistant version as option.
- Local manufacturing allows customised solutions.

APPLICATION AREAS

- Positioner (e.g. in production line)
- Grippers xy-system
- Positioning systems



PRODUCTS



Linear Unit QME - Standard version

Ready to mount linear tables guided w. linear ball bearings, shafts and driven by ball- or lead-screw



Linear Unit QME Right + Left drive

Ready to mount linear tables guided with right + left drive



Hand wheel



Hand wheel with locking device

Locking device is recommended for all hand driven units with ball screw



Hand wheel with locking device and position indicator

Locking device is recommended for all hand driven units with ball screw



Bellow

Bellow that protects against dust and dirt



Magnet and rail for end/position switches



Position switch

Precise readjustment, all-electronically, vibration resistant, high protection class



Motor flange and coupling or timing belt transmission

See our website for technical specifications, CAD-files and other information.

LINEAR UNITS CT & MT

PRODUCT OVERVIEW

This extensive range of linear units are characterized by compact dimensions allowing high performance features such as high speed, good accuracy and repeatability. They can easily be combined to multi-axis systems. Excellent price-/performance ratio and quick delivery time are ensured.

A compact, precision-extruded aluminium profile from AL 6063, with zero-backlash rail guide systems, allows high load capacities and an optimal sequence for the movement of larger masses at high speed.

Different carriage lengths with lubrication ports allows for easy re-lubrication and allows the possibility to attach additional accessories.

The aluminium profile includes T-slots for fixing the linear unit and for attaching sensors and switches. Also, a Reed switch can be used. Various adaptation options, for attaching (or redirecting), for motors or gearboxes are also available.

The aluminium profiles are manufactured according to the medium EN 12020-2 standard.

- Straightness = 0.35 mm/m
- Max. torsion = 0.35 mm/m
- Angular torsion = 0.2 mm/40 mm
- Parallelism = 0.2 mm

The linear units, comes with either ball screw or belt drive. The ball screw and the belt have different characteristics, each of which is beneficial in its own way. The belt is best suited if you need high speed or fast acceleration. While a ball screw has high repeatability, rigidity and power.

CHARACTERISTICS

- Ball screw or belt drive
- Compact design
- High precision
- Can be combined into various multi-axis systems
- Easy maintenance

APPLICATIONS

- xyz applications
- Warehouse elevators
- Palletizers
- Picking lines
- Robotic cells



PRODUCTS



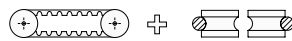
Linear Unit MTJ

Sizes 40, 65, 80 and 110
Toothed belt drive and compact dimensions, high speed and good accuracy



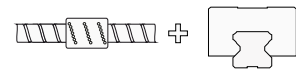
Linear Unit MRJ

Sizes 40, 65, 80 and 110
Toothed belt drive and compact dimensions, very high speeds up to 10 m/s w. track rollers



Linear Unit MTV

Sizes 40, 65, 80 and 110
Precision ball screw drive, integrated guide rail and compact dimensions



Linear Unit MTJ ECO 40

Size 40
Toothed belt drive and a zero-backlash ball rail guide system, easy and accurate



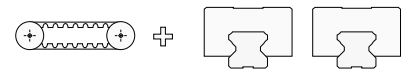
Linear Unit MTJZ

Sizes 40, 65, 80 and 110
Z-axis toothed belt drive, integrated ball rail system and compact dimensions



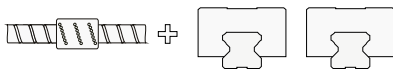
Linear Unit CTJ

Sizes 90, 110, 145 and 200
Toothed belt drive and two parallel, integrated, zero-backlash rail guides



Linear Unit CTV

Sizes 90, 110, 145 and 200
Precision ball screw drive and two parallel, integrated, zero-backlash rail guides



Motor Side Drive - MSD

For linear units with drive journal w/o keyway to mount MSD belt drive



Fixing System

The linear units are mounted by using fixtures placed in the slot on the side of the profile



Centering Rings
For linear units CT/MT



Wing Nuts / Hammer Nuts



Magnetic Field Sensors



MS - Mechanical Switch
Mechanical Switch, to be used together with connection plates



IS - Inductive Switch
For linear units CT/MT



Couplings
The maximum transmittable torque of the clamping hub depends on the bore diameter



Synchronisation Shaft OSL
For linear units CT/MT



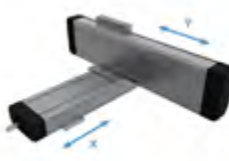
Synchronisation Shaft OSR
For linear units CT/MT



Motor Adapter with Coupling
For Linear Units CT & MT



X-Y Connection Elements
X-Axis = 0° Y Axis = 0°



X-Y Connection Elements
X-Axis = 0° Y Axis = 90°



Y-Z Connection Elements
Y-Axis = 0° Z Axis = 90°

See our website for technical specifications, CAD-configurator and other information.

MINI LINEAR UNITS MGBS & MGTB

PRODUCT OVERVIEW

MGBS & MGTB are modular and cost-effective rod-less electromechanical linear drive units. They feature a high capacity and high precision linear guide system with either a precision ball screw (MGBS) or a timing belt transmission (MGTB) to convert a rotary input to linear motion and force.

The miniature units are designed to survive in the most intense automation situations, counting several million cycles over its lifetime. And this with practically no need for maintenance. High-quality components are used from inside and out, starting with a robust anodized aluminium extrusion as the base. Inside only first-rate bearings and ball screws are used.

MGBS & MGTB have highly efficient mechanical solutions, and the size and form factor to easily replace a lot of functions traditionally driven by pneumatics. The faster and more frequent the motion is, the greater the potential energy saving. On a system level, pneumatic motion has a typical efficiency between 5 to 10 %. Electromechanical systems with low friction mechanics easily achieve over 50 % system efficiency.

The units are available with four different external communication interfaces.

CHARACTERISTICS

- Up to 1500 mm/s linear speed
- < 0.05 mm mechanical backlash
- < 0.03 mm uni-directional repeatability (MGBS, ball screw)
- < 0.16 mm uni-directional repeatability (MGTB, timing belt)
- 90 % typical mechanical efficiency
- Linear guided with ball-raced guiding
- In-line or parallel-mounted motor options
- Maintenance free
- Prepared for multi-axis arrangements

APPLICATION AREAS

- Replacement of rod-less pneumatic cylinders
- Positioning of tools and grippers
- Small multi-axis systems



Motor adapter VK with coupling and motor



MGBS



MGTB

Motor side drive with timing belt and motor

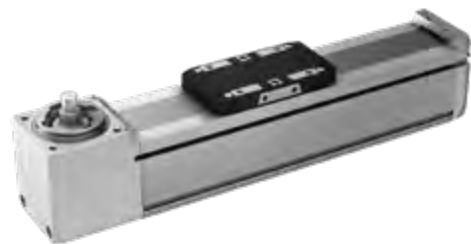


MGBS

Without preassembled motor



MGBS



MGTB

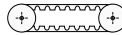
PRODUCTS



MGBS
Mini linear unit with ball screw



MGTB
Mini linear unit with timing belt



Motor adapter VK
For MGBS & MGTB and
MCE & MSCE



Motor side drive MSD
For MGBS and MCE & MSCE



Motor
For MGBS & MGTB and
MCE & MSCE



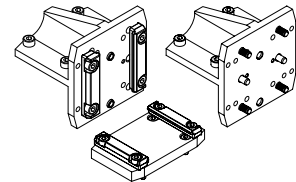
Drive
For MGBS & MGTB and
MCE & MSCE



Couplings
For Mini Linear Units MGBS &
MGTB



Clamping fixtures
For MGBS & MGTB and
MCE & MSCE



Connection plates
For Mini Linear Units MGBS &
MGTB



Cables
For MGBS & MGTB and
MCE & MSCE



Magnetic field sensors
For Mini Linear Units MGBS &
MGTB

See our website for technical specifications, CAD-files and other information.

ELECTRIC CYLINDERS & SLIDERS

Electric cylinders are quick and simple to design into applications and engineered to work and fit to industrial servo motors. Electromechanical cylinders combine the precision, rigidity, and controllability of servo mechanics with the speed and durability of pneumatic cylinders.

By using an integrated precision ball screw drive, the rotary motion of the drive shaft is converted to the linear motion of the piston rod or the slide, with high mechanical efficiency and low internal friction.



MCE & MSCE MINI ELECTRIC CYLINDERS & SLIDERS

This range of linear actuators and sliders can easily be combined to a multi-axis system. They allow relatively high load capacities and optimal cycles for moving large payloads at high speeds in both horizontal and vertical directions.

The MCE is a mini linear electric cylinder with a piston rod and the MSCE a mini linear drive with an integrated linear guiding system and slide.

PNCE ELECTROMECHANICAL CYLINDERS

PNCE combine a ball screw drive with a suitable bearing and guiding system. They are well suited for high dynamic servo-drive and 7/24 automation tasks. The robust aluminium housing with standardized interfaces makes use of the wide range of mechanical fittings for ISO 15552 pneumatic cylinders.

The design with smooth surfaces enables quick and effective cleaning. Special versions with protection class IP65, food grade materials or high corrosion resistance for harsh environments are available.

MCE & MSCE MINI ELECTRIC CYLINDERS & SLIDERS

PRODUCT OVERVIEW

MCE and MSCE are small electromechanical linear actuators and linear slides. MCE has a rotation-locked piston rod whereas MSCE also have an aluminium slider plate carried by a ball-raced linear bearing. The units use accurately integrated and well protected ball screws with minimal axial play. This ensures a low friction and high mechanical efficiency.

In combination with a precisely executed piston rod guiding (plain bearing) and anti-rotation guiding (MCE) long-lasting precision and performance will be achieved, even at intense use and high speeds. Using the linear guided aluminium slider (MSCE), both precision and load capacity are increased.

If our recommended standard motor and drivers are chosen, you get a plug-and-play solution with optimized and verified performance. The motors can be assembled in-line via adapter and shaft coupling or in parallel using a 1:1 timing belt transmission.

The cylinder housing has bottom T-slots for slot nuts and side slots for clamping fixtures. On the sides, there is also slots for magnetic proximity sensors.

MCE and MSCE are produced and stocked in standard strokes for best price and short delivery time.

MCE and MSCE are designed and assembled to be maintenance-free and lubricated for life. At delivery, they are ready for immediate use. Compared to pneumatic cylinders in the same size, substantially higher force and mass can be handled at comparable speed but with much better precision and repeatability. An energy consumption of just 10% or less compared to pneumatics comes with the concept.

CHARACTERISTICS

- Up to 500 mm/s linear speed
- < 0,05 mm mechanical backlash
- < 0,03 mm uni-directional repeatability
- 90 % typical mechanical efficiency
- Rotation locked piston rod (MCE)
- Linear guided with ball-raced guiding (MSCE)
- In-line or parallel mounted motor options
- Maintenance free
- Prepared for multi-axis arrangements

APPLICATION AREAS

- Actuation of valves
- Application of labels
- Dispensing of liquids
- Articulation of lever arms
- Compression of soft material



MOTOR ADAPTER VK WITH COUPLING AND MOTOR



MCE



MSCE

MOTOR SIDE DRIVE WITH TIMING BELT AND MOTOR

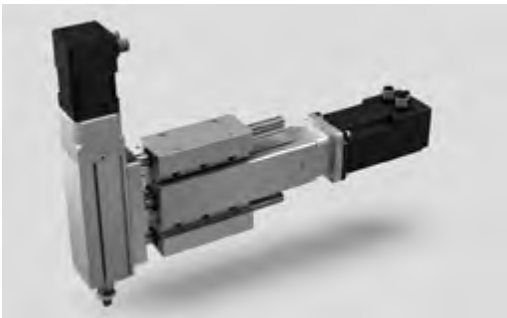


MCE



MSCE

MULTI-AXIS SYSTEM



MCE (guiding unit GUC is used)



MSCE

ACCESSORIES



MCE (without a preassembled motor)



MSCE (without a preassembled motor)

PRODUCTS



MCE

Anti-rotating piston rod, compact dimensions, high speed and highly flexible
Sizes 25-45



MSCE

Linear guiding system and slide, compact dimensions, high speed and highly flexible
Sizes 25-45



Motor adapter VK

For MGBS & MGTB and MCE & MSCE



Motor side drive MSD

For MGBS and MCE & MSCE



Motor

For MGBS & MGTB and MCE & MSCE



Drive

For MGBS & MGTB and MCE & MSCE



Couplings

For MCE & MSCE Mini Electric Cylinder & Slider



Clamping fixtures

For MGBS & MGTB and MCE & MSCE



Cables

For MGBS & MGTB and MCE & MSCE



Magnetic field sensors

Magnetic Field Sensors, Cables and Sensor Holder for MCE & MSCE



Rod eye SGS

Piston rod accessory, galvanized steel



Rod clevis SG

Piston rod accessory, galvanized steel

MCE & MSCE MINI ELECTRIC CYLINDERS & SLIDERS



Self-aligning joint FK
Piston rod accessory, galvanized steel



Coupling piece KSZ
Piston rod accessory, galvanized steel



Flange mounting MAFL
Mounting attachment accessory, anodized aluminium



Swivel/clevis mount MASU
Mounting attachment accessory, aluminium



Swivel foot mounting MLG
Mounting attachment accessory, aluminium



Foot mounting MAHP
Mounting attachment accessory, stainless steel



Clevis foot mounting MLBU
Mounting attachment accessory, galvanized steel



Back mount ABM
Mounting attachment accessory, stainless steel



Trunnion mount MZK
Mounting attachment accessory, galvanized steel



Trunnion support MLZ
Mounting attachment accessory, galvaniz. steel and sinterized bronze



Guiding unit GUC
For MCE & MSCE Mini Electric Cylinder & Slider



Slot nut
Galvanized steel



Centering ring
Stainless steel

See our website for technical specifications, CAD-files and other information.

PNCE ELECTROMECHANICAL CYLINDERS

PRODUCT OVERVIEW

PNCE electromechanical cylinders combine a ball screw drive with a suitable bearing and guiding system. All contained in a robust aluminium housing with standardized interfaces making use of the wide range of mechanical fittings for ISO 15552 pneumatic cylinders.

PNCE is engineered to work and fit to industrial servo motors and will be adapted to the motor of your choice upon order. We offer you help to calculate the required motor performance for your application.

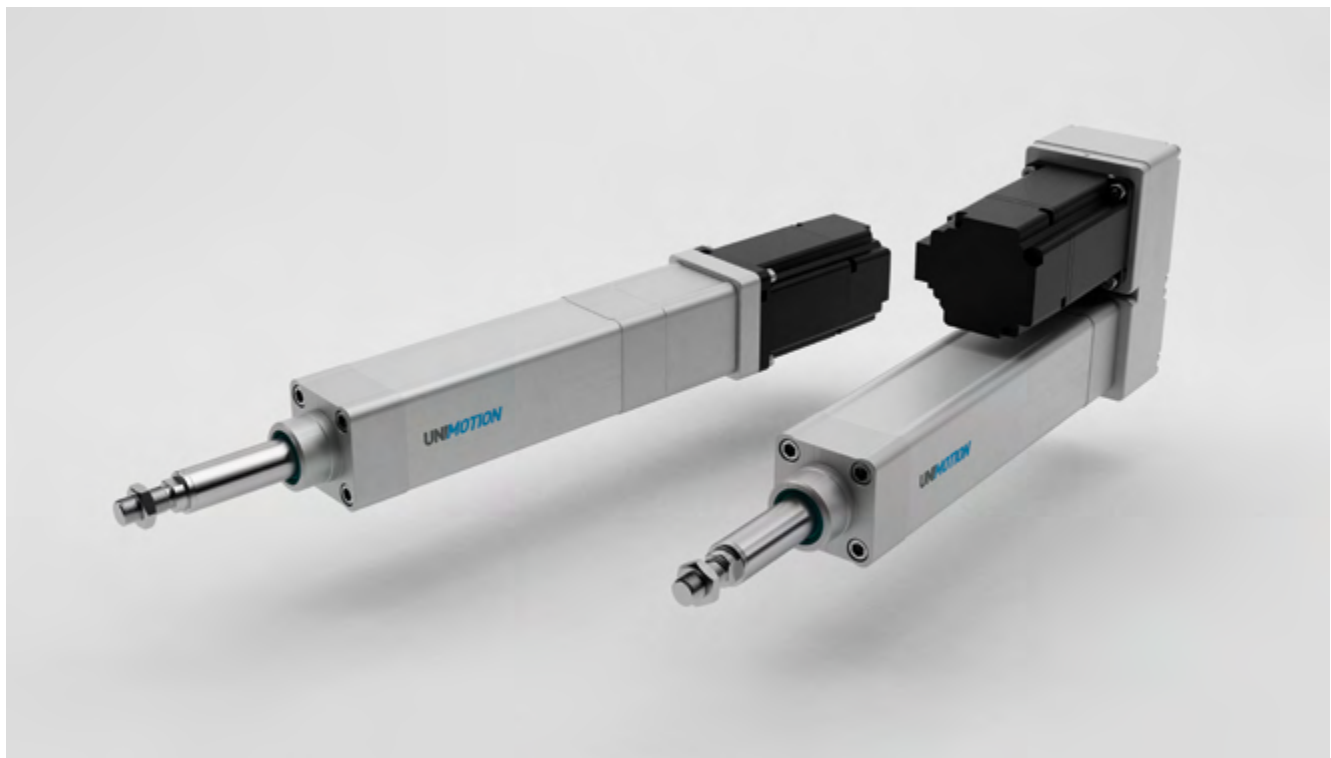
With an electromechanical cylinder, the precision, rigidity and controllability of servo mechanics can be combined with the speed and durability of pneumatic cylinders.

CHARACTERISTICS

- Low back-lash ball screw drive and angular contact ball bearings.
- Rigid linear guiding of the stainless push-rod.
- Robust anti-rotation device.
- Smooth surfaces.
- Geometrical based on ISO 15552 standard for pneumatic cylinders.
- Protection class up to IP65, optional stainless and food grade.

APPLICATION AREAS

- Dispensing of liquids
- Articulation of lever arms
- Compression of soft material
- Pushing things off from a conveyor
- Positioning of tools





Sensor holder



ISO standard accessories



Pressure compensation (IP65)



Motor adapter with coupling



Motor side drive

SPECIAL APPLICATIONS

PROTECTION CLASS (IP65)

The IP65 version protects the interior of the cylinder from external media such as dust and water and fulfils the specifications to IEC 60 529. The design prevents occurrence of excess pressure or negative pressure inside the electric cylinder.

HIGH CORROSION RESISTANCE (IP65CR)

IP65CR version offers high corrosion resistance in harsh environments in addition to all the features of version IP65. All external parts are corrosion resistant and the connection elements are made of stainless steel.

FOOD INDUSTRY (FI)

The version FI includes all the features of the electric cylinder version IP65CR, but with upgraded materials suitable for applications in the food industry. The cylinder is greased with a lubricant class NSF H1. The design with smooth surfaces enables quick and effective cleaning.

PRODUCTS



PNCE

Based standard ISO 15552 w. ball screw and non-rotating piston rod for high performance
 Sizes 32-100



SGS

Piston rod accessory SGS, galvanized or stainless steel
 AISI 304



SG

Piston rod accessory SG, galvanized or stainless steel
 AISI 30



FK

Piston rod accessory FK, galvanized steel



KSZ

Piston rod accessory KSZ, galvanized steel



HG

Mounting attachment accessory HG, galvanized or stainless steel
 AISI 304



HGL

Mounting attachment accessory HGL, galvanized steel



HGLL

Mounting attachment accessory HGLL, galvanized steel



FG

Mounting attachment accessory FG, galvanized or stainless steel
 AISI 304



ZK

Mounting attachment accessory ZK, galvanized steel



LZ

Mounting attachment accessory LZ, galvanized steel



SGN

Mounting attachment accessory SGN, aluminium or stainless steel
 AISI 316



SBG

Mounting attachment accessory SBG, aluminium or stainless steel AISI 304



SSG

Mounting attachment accessory SSG, aluminium or stainless steel AISI 316



SGL

Mounting attachment accessory SGL, Aluminium or stainless steel AISI 304



LSG

Mounting attachment accessory LSG, steel (black cataphoresis) or stainless steel AISI 316



LG

Mounting attachment accessory LG, aluminium or stainless steel AISI 304



ZKCE

Mounting attachment accessory ZKCE



Blanking screws

Stainless steel AISI 304



Guiding unit GUH

Body in aluminium, guides in steel.



Motor adapter with coupling

Motor adapter for PNCE will be designed after receipt of order and drawing of requested motor type



Motor side drive with a timing belt

Motor flange to be designed after receipt of order and drawing of requested motor type



Couplings

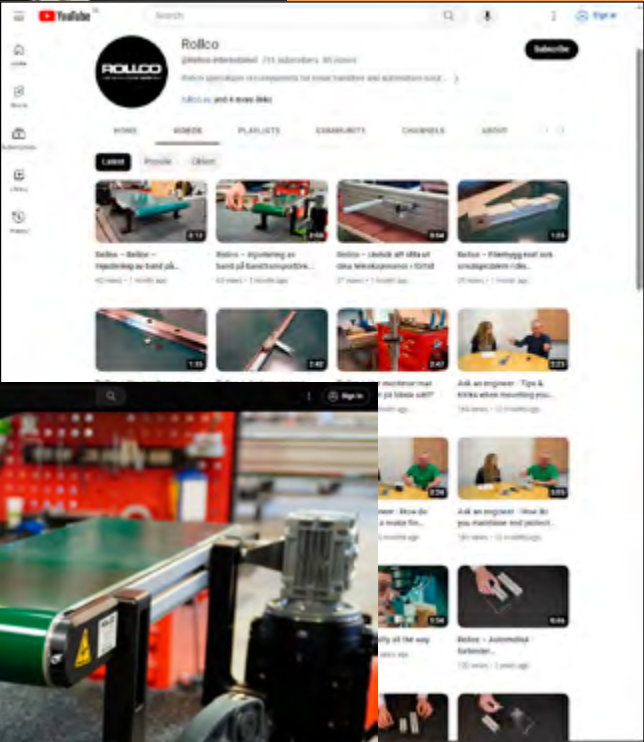
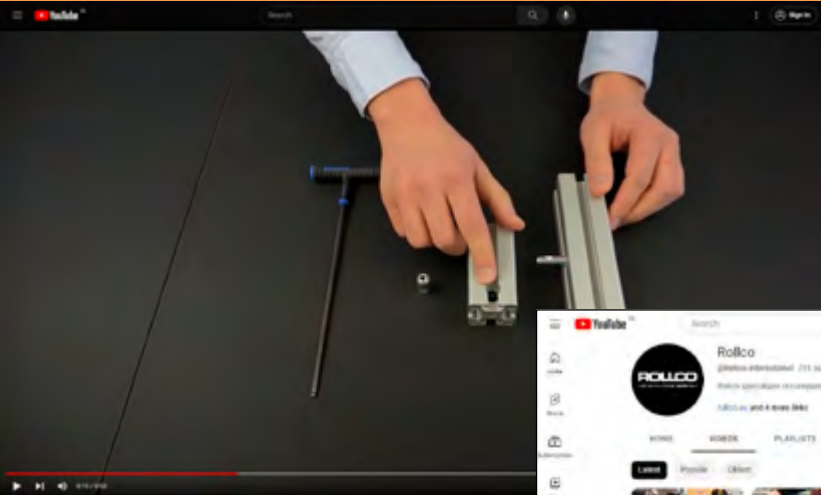


Magnetic field sensors

Mounting of the Magnetic field sensor on PNCE requires a HPNCE sensor holder.

See our website for technical specifications, CAD-files and other information.

Subscribe to us on YouTube!



<https://www.youtube.com/@Rollco-international>



PLANETARY GEARBOXES

PRODUCT OVERVIEW

Planetary gearboxes are used in mechanical and mechatronic drive systems with high requirements for high torque density and high precision. Our planetary and right-angle gearboxes from WITTENSTEIN are suitable for most applications and performance levels.

Maximum precision and dynamics combined with excellent torque density are in practice the most important conditions for reliable servo gearboxes. By offering selected parts of WITTENSTEIN's alpha series of planetary gears, we give you the opportunity to complement your linear unit with a planetary gearbox as well as an adapter kit connecting both of them.

Our planetary- and right-angle gearboxes can be used in virtually any application - from high-precision shafts in production systems to packaging machines where maximum productivity is a requirement. If you are looking for first-class quality and reliability, high precision and synchronization accuracy, power density in a class of its own, a long service life and extremely easy motor installation, then a planetary gearbox from WITTENSTEIN is the right product for you.

CHARACTERISTICS

- Compact
- High accuracy
- Ratio from 3:1 to 100:1
- Flexible output and input variants.

**APPLICATIONS**

Drive of linear unit in e.g.:

- Machine tools
- Food and packaging industry
- Woodworking machines
- Robotic solutions, automation and material handling
- Printing and paper industry

COMPLETE SOLUTION IN OUR CAD-CONFIGURATOR

Complement your linear RHL linear unit with a planetary gearbox and an adapter kit. In our CAD-configurator you can easily design a complete solution according to your needs.



PRODUCTS



CP planetary gearbox

Ratio 3-100,
Backlash: $\leq 12 - 18$ arcmin.
For medium to low accuracy and performance requirements.
Compact B14 output interface.



CPS planetary gearbox

Ratio 3-100,
Backlash: $\leq 12 - 15$ arcmin.
For medium to low accuracy and performance requirements. Output interface cylindrical or with B5-flange.



CPSK bevel gearbox

Version of CPS with a 90° bevel gear input stage.
Backlash $\leq 15 - 18$ arcmin.



CPK bevel gearbox

Version of CP with a 90° bevel gear input stage.
Backlash $\leq 13 - 20$ arcmin.



NP planetary gearbox

Ratio 3-100,
Backlash: $\leq 8 - 13$ arcmin.
For medium accuracy and performance requirements.
Compact output interface.



NPL planetary gearbox

Ratio 3-100,
Backlash: $\leq 8 - 10$ arcmin.
For medium accuracy and performance requirements with higher axial and radial shaft loads.



NPS planetary gearbox

Ratio 3-100,
Backlash: $\leq 8 - 10$ arcmin.
For medium accuracy- and performance requirements with higher axial and radial shaft loads.



NPK bevel gearbox

Version of NP with a 90° bevel gear input stage.
Backlash $\leq 11 - 15$ arcmin.



NPLK bevel gearbox

Version of NPL with a 90° bevel gear input stage.
Backlash $\leq 11 - 15$ arcmin.



NPSK bevel gearbox

Version of NPS with a 90° bevel gear input stage.
Backlash $\leq 11 - 15$ arcmin.



Adapter kit RHL

Connects linear unit RHL with a planetary gearbox.

See our website for technical specifications, CAD-configurator and other information.

ALUMINIUM APPLICATIONS & CONVEYORS

We have a complete range of aluminium profiles. Various fasteners and accessories facilitate simple adjustment or modification of constructions. The system makes it easy to build everything from simple racks, machine frames, cabinets and workbenches to fixtures for advanced automation. Our conveyors are built on a frame of aluminium profiles and manufactured locally in Helsingborg.



ALUMINIUM PROFILE SYSTEM

Many profile types and a wide range of accessories such as hinges, angles, caps, handles, foot plates and castors.



TIMING BELT CONVEYORS

Excellent for synchronization of multiple timing belts. Choose between accessories such as cleats, side guides, or a variation of different feet. When using cleats, the timing belt conveyor is well suited for inclined/declined transportation of products. If required the conveyors can be delivered as a complete solution with fitted aluminium profile stands.



BELT CONVEYORS

Our belt conveyors are available in two sizes and are prepared to be manufactured in a handful of standard widths. The length of the conveyor, belt type etc. are always selected to fit the specific application. Additional customization such as special widths, alternative drive interfaces, parallel drive of units and more, is possible upon request.

ALUMINIUM PROFILE SYSTEM

PRODUCT OVERVIEW

We have a complete range of aluminium profiles. The systems offer great flexibility with profiles in an extensive range of sizes, different types of fasteners and many accessories.

Our aluminium profile system makes it easy to build machine frames, workbenches, fixtures for advanced automation etc. The system is very easy to assemble and to adjust or expand. It is compatible with most common profile systems, which makes it even more adaptable and easy to combine with existing constructions.

The profiles can be delivered in 3 ways:

- Profiles and components as they are without processing and assembly.
- Processed and assembled according to customer design and drawings.
- In processed construction kits according to customer drawings. On-site assembly.

We also offer technical support and are happy to assist with design proposals. Just as always, we promise you quick response, fast production time and reliable deliveries.

ALUMINIUM FRAMES AND PROTECTIVE WALLS

A common application is frames and protective walls. Different types of panels, grids or sheets are installed in a frame made of aluminium profiles, depending on the requirements. They can be supplied in sections and assembled and adapted on site at the factory. The structure can be easily and securely anchored to the floor with various types of feet or brackets.



CHARACTERISTICS

- Simple to assemble
- Flexible - easy to adjust and expand
- Compatible with other profile systems
- Lightweight
- Stainless and maintenance free
- Sustainable - 100 % recyclable.
- Wide range of accessories

APPLICATION AREAS

- Machine frames
- Stands
- Work stations
- Work benches
- Fixtures
- Material trolleys
- Screens & protective walls
- Adjustable footrests
- Vision cabinet - to protect a vision camera e.g. above a conveyor belt

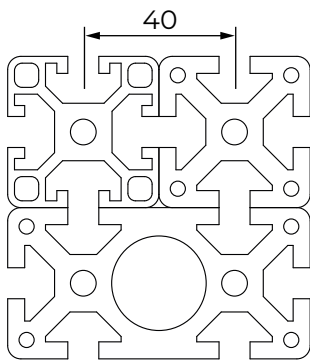
OUR PROFILE SYSTEMS

Our three profile systems include standard profiles, angle- and radius profiles, various fasteners, and all imaginable accessories. The systems are very easy to assemble, adjust or expand and all our profiles are anodized.

WHICH SYSTEM TO USE:

System 40 - Slot 8

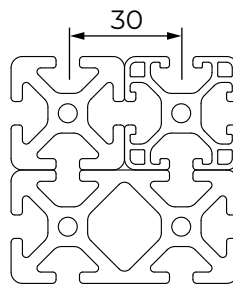
Center hole for M8



The most frequently used profile range. Suitable for machine stands and machine covers.

System 30 - Slot 6

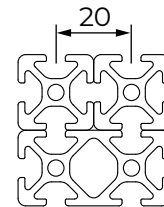
Center hole for M6



Designed for any kind of construction with optimized weight. Suitable for tables, racks, and frames.

System 20 - Slot 5

Center hole for M5

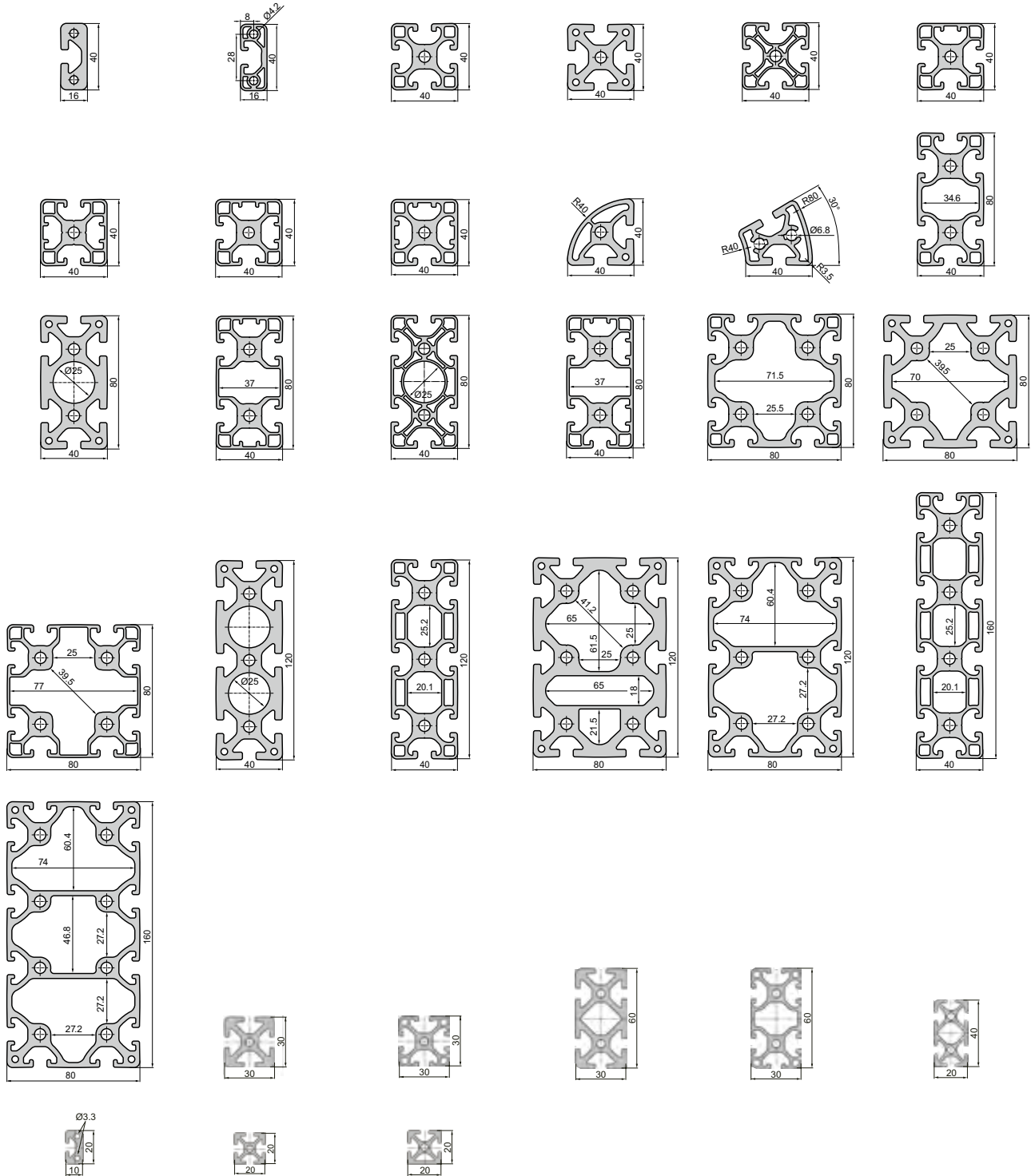


Compact and lightweight profiles. Suitable for smaller covers and handling mechanisms.

See technical information on our website regarding mechanical data, manufacturing tolerances etc.

PROFILES

We have a wide range of aluminium profiles. There are also profiles with one, two or three closed sides, angled or radiused surfaces or with tear-off closed grooves. Additionally profiles for specific applications such as doors, handrails and steps, and for holding panels or other sheet elements. Below you can see some of the most common profiles.



See our website for full product range, CAD-files and technical specifications.

FASTENERS & CONNECTORS

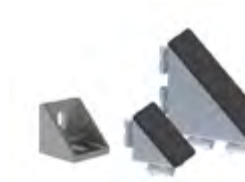
Our range of fastening elements include different types of fasteners, t-nuts, slot nuts, fixing angles and brackets.

See the complete range on our website.



Steel Angles & Angle Plates

Links two aluminium profiles at a right angle



Corner & Angle Brackets

Galvanised steel or die-cast zinc.
To connect two profiles or panels at right angles



Tie Plate

Of steel. Links two aluminium profiles



Automatic Connectors / Fasteners

For quick and easy connection of profiles



Central Fasteners

All-purpose universal fasteners and fasteners for parallel and transverse connections



Standard Fasteners

For connection of aluminium profiles and for mounting surface elements in the profile slot.



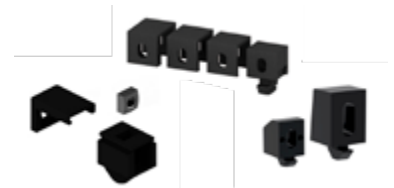
Universal Connectors / Fasteners

For connection of aluminium profiles



T-Nuts & Pivoting Slot Nuts

Fastening elements used inserted in profile slots. Held in position by a spring-loaded ball.



Fixing Blocks & Multi Pads / Blocks

For easy fastening of surface elements to aluminium profiles

See our website for full product range and technical specifications.

ACCESSORIES

We have hundreds of accessories to our aluminium profile system. This is just a selection of the most commonly used.

Check our website to see the complete range.



Aluminium Profile Caps

Caps most profile types



Handle

Handles in plastic and aluminium for doors, drawers etc.



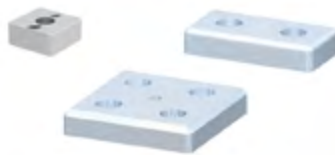
Hinges

In steel, plastic, zinc and aluminium for machines, protective guardings and more.



Joints

For connecting two profiles or surface elements at an angle. Made of zinc or aluminium.



Foot Plates

For fixing profiles to castors, adjustable feet etc.



Feet

Swivelling, levelling and adjustable feet in steel, die-cast zinc or aluminium.



Castors

With swivel head, bolt hole and lock.



Door Lock & Door Stops

Reliable and compact door locks, magnetic door stops etc.



Sealing Rubbers, Clamping & Cover Strips

For covering profile slots, clamping sheet elements

See our website for full product range and technical specifications.

ADDITIONAL PRODUCTS

On our website you can find many other components associated to the aluminium profile systems. Below are a few samples.

WIRING DUCTS



Wiring Ducts

Duct and duct cover for cables etc.



Wiring Duct Caps

End caps for wiring ducts.

PANELS & SHEET MATERIAL



Panels

Sheet material in polycarbonate, cellulose, plywood or plexiglass for protective walls, workshops and laboratory benches etc.



Weld Mesh & Mesh Steel

Wire mesh for doors, protective walls etc.



Aluminium Sheet

Sheet material in aluminium for protective walls etc. checker plate, perforated or laminated.

TOOLS



Drill Jigs

For positioning the hole for the central fastener housing



Drills

Short step and spiral drills for drilling profiles

See our website for full product range, CAD-files and technical specifications.

BELT CONVEYORS

PRODUCT OVERVIEW

Our belt conveyors are available in two sizes, BF40 and the larger BF80. The size is often determined by the accumulated weight, size, or amount of the goods needed to be transported and are either head-driven or center-driven. Center-drives are always preferable for reversible operations.

The conveyors are built on a frame of aluminium profiles with a stainless steel sheet metal and an assortment of steel and aluminium components. Customisation is possible, anything to meet your requirements.

Our belt conveyors are prepared to be manufactured in a handful of standard widths. The length of the conveyors is always adapted to the needs of the application. Additional customization such as special widths, alternative drive interfaces, parallel drive of units and more, is possible upon request. Contact Rollco for more information.

We offer a wide range of standard belts. For specialized belts please contact us, as we have more options available to cover requirements from most industries. Our belt conveyors are available with very short lead-time.

CONVEYOR BELT STANDS

We can also provide stands for the conveyor belts. The stands are made from aluminium profiles, guaranteed 100% compatible with the conveyor and are made to order. Available with adjustable feet, fixable feet or wheels.

CONVEYOR GUIDES

Conveyor guides are ideal for diverting, accumulating or guiding goods. We have several solutions, examples include bent plates and additional adjustable guide profiles.

SPECIAL SOLUTIONS

We also have experience of more specialized conveyors, including parallel driven, toothed conveyors and knife edged solutions. With the knife edge solution, the end diameter can be reduced to Ø 20 mm. Don't hesitate to contact us regarding your specific application.

CHARACTERISTICS

- Flexible, customized design
- Wide range of belt types such as PVC tape, TPO belt (phthalate and halogen free), Silicone rubber, etc.
- Centre or end drive
- Parallel operation of several belt conveyors possible
- Accessories such as carriers or edge supports available

APPLICATIONS AREAS

- Conveyor belts for the food industry, e.g. bakeries
- Packaging and sorting lines in e-commerce
- Logistics, mail sorting and material handling -
- Wood and sawmill industry



PRODUCTS



BF40E
Standard with end drive



BF40EIK
Knife edge in feed with end drive



BF40M
Standard with middle drive



BF40MDK
Double knife edge with middle drive



BF40MIK
Knife edge in feed with middle drive



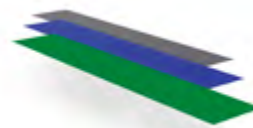
BF40MOK
Knife edge out feed with middle drive



BF80E
Standard with end drive



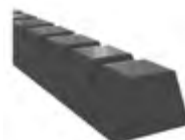
Motors
Standard motors for BF40 & BF80 conveyors



Belts
Standard belts for a wide range of applications



Belt Profiles
Profiles for belts



Tracking Guides
For applications where transversal forces occur



Conveyor Stands
Guaranteed 100% compatible with the conveyor



Conveyor Guides

For diverting, accumulating or guiding goods



Conveyor Belt Covers

Hoods and covers



Support Kits

Used to take up belt slack

See our website for technical specifications and other information.

BELT CONVEYOR EXAMPLES





TIMING BELT CONVEYORS

PRODUCT OVERVIEW

Timing belt conveyors are often used when stepwise and precise positioning is required when transporting goods. The conveyor is also a flexible solution for lateral movement of long products with the added benefit of access for e.g. grippers or lifting devices. The possibility of using a toothed belt with cleats, makes the timing belt conveyor a good solution for inclined/declined transport of goods.

Our timing belt conveyors are available in two sizes, TB40 and the larger model TB80. It is possible to choose a single timing belt or a system with two or more synchronously driven parallel timing belts. What size and how many synchronously driven timing belts are needed is often determined by the weight, size and amount of goods to be transported.

The conveyors are built on a frame of aluminium profiles and the timing belt runs in a guiding list made of Polyethylene plastic, which ensures good control and low friction for the belt during operation. The timing belt is available in several designs. Standard, with surface coating or with cleats. You are welcome to contact us if your application requires any special coating or specially adapted cleats that we do not show on our website. The timing belt is end driven with several different options for positioning the motor.

PROVEN PERFORMANCE

TB40 and TB80 have been extensively tested over its full performance range of speeds, loads, and lengths, together with our standard drive units.

STAND

We offer stands for all our timing belt conveyors. The stands are manufactured from aluminium profiles to order and are guaranteed to 100% fit the conveyor. The stand may be delivered with floor-fixable L-feet or knuckle feet.

CHARACTERISTICS

- Length ≤ 6000 mm
- System width ≤ 6000 mm
- Synchronisation of up to 10 timing belts
- Distance between timing belts 200-2000 mm
- Speed up to 54 m/min
- System load up to 400 kg
- End drive
- Belt profile AT10
- Belt width 32 mm
- Bonded cleats
- False teeth
- Linatex coating
- Incline/decline $\pm 10^\circ$

APPLICATIONS AREAS

- Material handling
- Machine industry
- Wood and sawmill industry



PRODUCTS



TB40
Timing belt conveyor with end drive. Single unit or a system of up to ten synchronized conveyors.



TB80
Timing belt conveyor with end drive. Single unit or a system of up to ten synchronized conveyors.



Drive units TB40
Direct drive including motor and gear



Drive units TB80
Direct drive including motor and gear



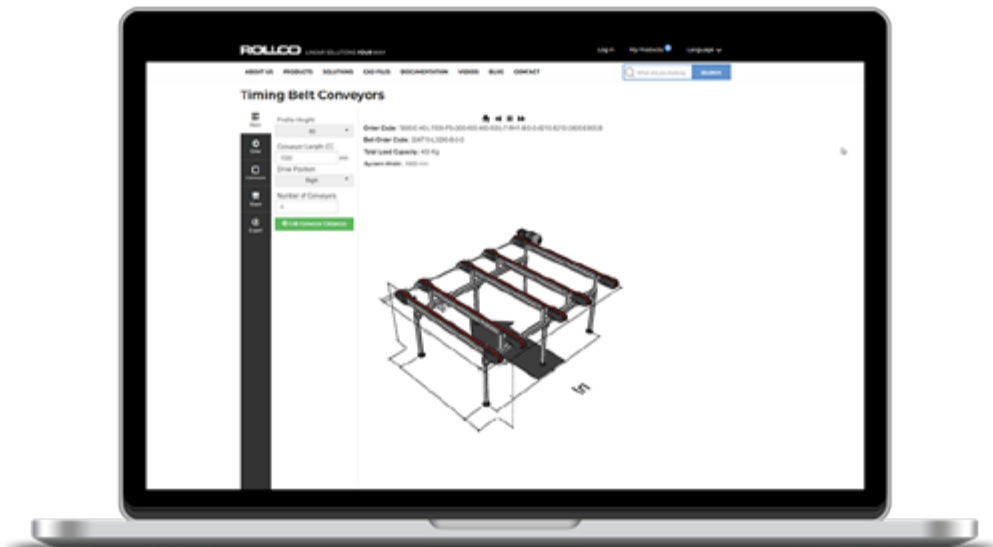
Belts
Standard belts for a wide range of application



Conveyor Stands
Guaranteed 100% compatible with the conveyor

See our website for technical specifications, CAD-configurator and other information.

In our CAD-configurator you can easily design a complete solution according to your needs.



**ALWAYS THE RIGHT
SOLUTION AT THE RIGHT TIME.**

ROLLCO

LINEAR SOLUTIONS **YOUR WAY**

With reliability, competence and commitment Rollco rapidly delivers the right solutions and components to create safe and cost-effective automation and linear movement.

Rollco AB
Box 22234
Ekvändan 3
250 24 Helsingborg
Sweden
Tel. +46 42 150040
www.rollco.se

Rollco A/S
Skomagervej 13 E
7100 Vejle
Denmark
Tel. +45 7552 2666
www.rollco.dk

Rollco Oy
Sarankulmankatu 12
33900 Tampere
Finland
Tel. +358 207 57 97 90
www.rollco.fi

Rollco Norge AS
Industrigata 6
3414 Lierstrada
Norway
Tel. +47 32 84 00 34
www.rollco.no

Rollco Taiwan
No. 28, Lane 125, Da-an Road
Shulin District 238
New Taipei City, Taiwan
Tel. +886-2-8687-2726
Fax +886-2-8687-2720
www.rollco-tw.com