

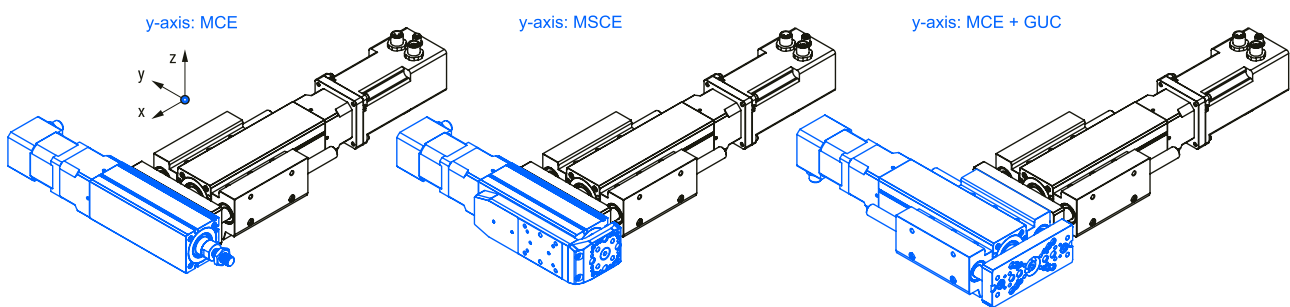
Mounting examples

Mini electric cylinders MCE and sliders MSCE can easily be combined to the multi-axis systems by using the standard accessories. Already prepared mounting holes on the front plate/slide of the MSCE, guiding unit GUC, and mounting slots on the profiles allow various combinations of MCE and MSCE without additional connection plates.

In the following, compatibility of the mini electric cylinders and sliders are presented.

For non-standard combinations, configurations, or custom connection elements, please contact us.

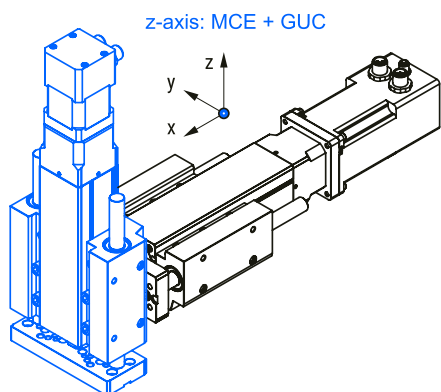
x-y configuration with the x-axis: MCE + the guiding unit GUC



Mini electric cylinders and sliders can be combined by using the slot nuts together with the standard screws. For the case, where the y-axis is MCE+GUC, only the standard screws can be used.

Configuration		y-axis								
		MCE			MSCE			MCE + GUC		
x-axis	Size	25	32	45	25	32	45	25	32	45
MCE + GUC	25	•	-	-	•	-	-	•	-	-
	32	•	•	-	•	•	-	•	•	-
	45	•	•	•	•	•	•	•	•	•

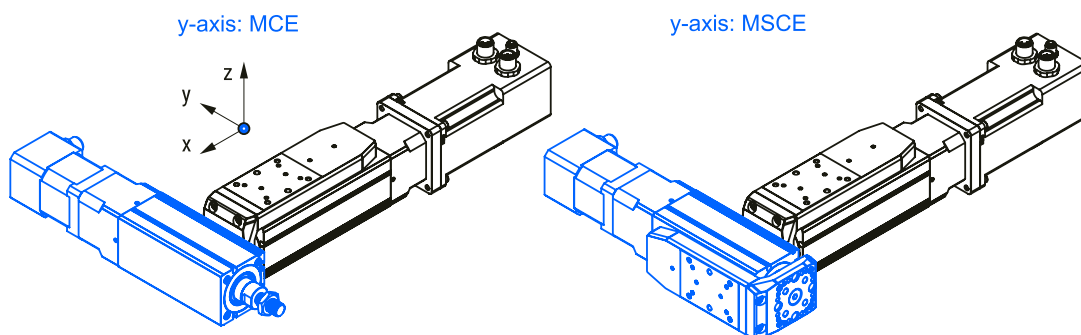
x-z configuration with the x-axis: MCE + the guiding unit GUC



Mini electric cylinders with GUC can be combined by using the standard screws.

Configuration		z-axis MCE + GUC		
x-axis	Size	25	32	45
MCE + GUC	25	•	-	-
	32	•	•	-
	45	•	•	•

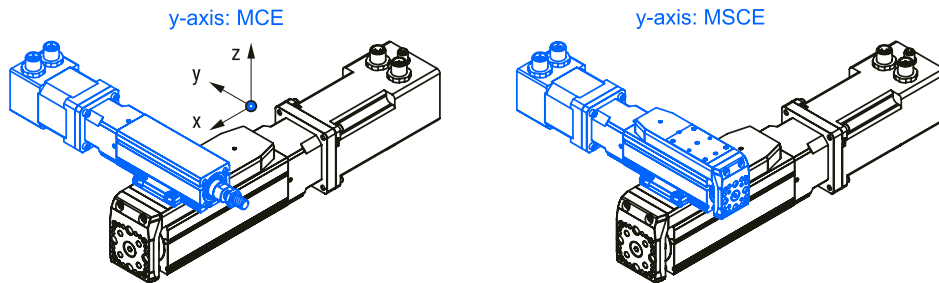
x-y configuration with the x-axis: MSCE (y-axis is mounted to the front plate)



Mini electric cylinders and sliders can be combined by using the slot nuts together with the standard screws.

Configuration		y-axis					
x-axis	Size	25	MCE 32	45	25	MSCE 32	45
MSCE: front plate	25	•	-	-	•	-	-
	32	•	•	-	•	•	-
	45	•	•	•	•	•	•

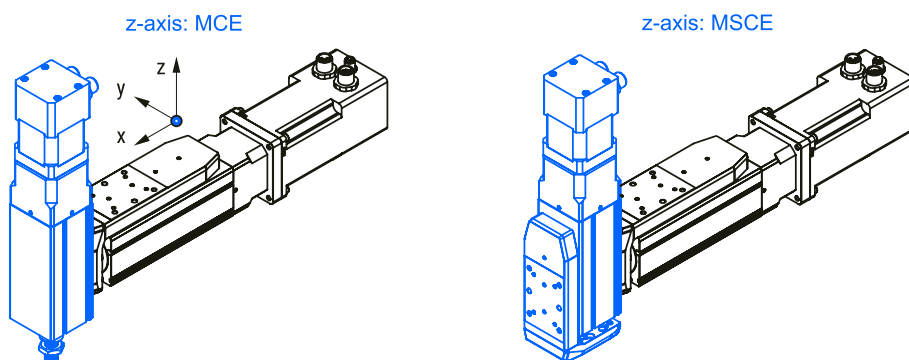
x-y configuration with the x-axis: MSCE (y-axis is mounted to the slide)



Mini electric cylinders and sliders can be combined by using the clamping fixtures together with the standard screws.

Configuration		y-axis					
x-axis	Size	25	MCE 32	45	25	MSCE 32	45
MSCE: slide	25	-	-	-	-	-	-
	32	•	-	-	•	-	-
	45	•	•	-	•	•	-

x-z configuration with the x-axis: MSCE (z-axis is mounted to the front plate)



Mini electric cylinders and sliders can be combined by using the slot nuts together with the standard screws.

Configuration		z-axis					
x-axis	Size	25	MCE 32	45	25	MSCE 32	45
MSCE: front plate	25	•	-	-	•	-	-
	32	•	•	-	•	•	-
	45	•	•	•	•	•	•