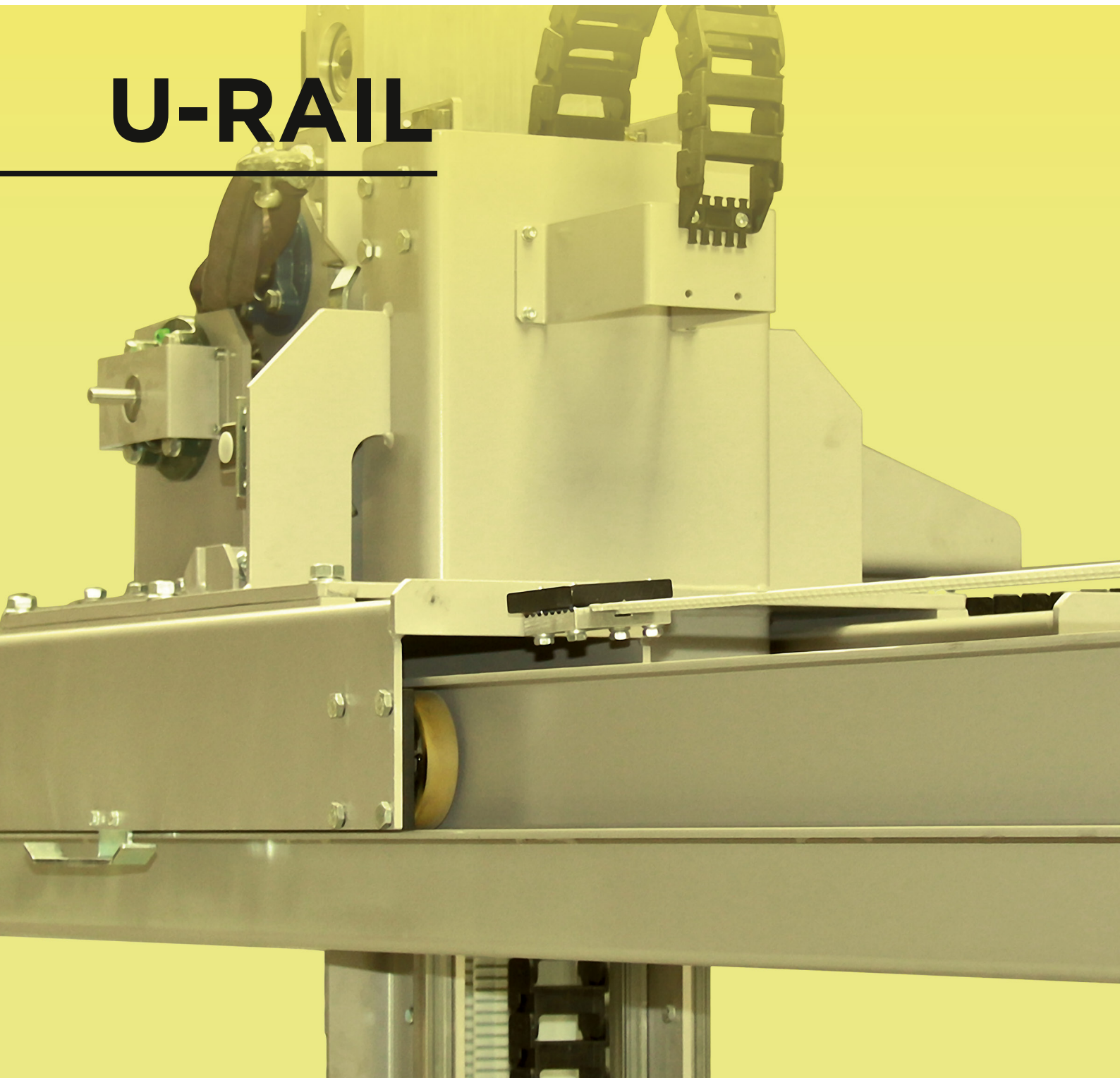


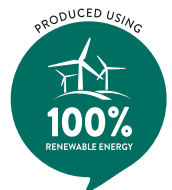
ROLLCO

U-RAIL



Every care has been taken to ensure the accuracy of the information contained in this catalogue, but no liability can be accepted for any errors or omissions. We reserve the right to make changes without prior notice.

Any reproduction, even partial, is allowed only by written permission by Rollco.



Index

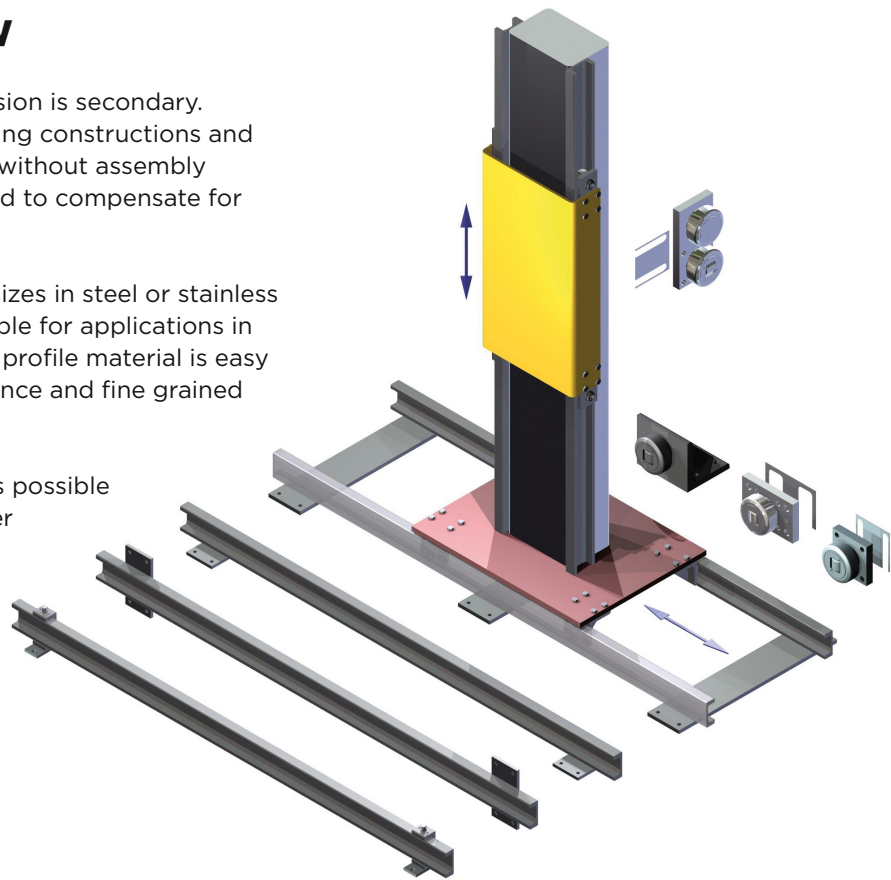
PRODUCT OVERVIEW	4
Technical Data	4
Lubrication	5
Technical Dimensioning	5
Selection of Type	5
PROFILES	6
U-Profile UP---.0700	6
Light U-Profile UP---.0730	7
Heavy U-Profile XUP---.0700	8
Stainless U-Profile UP---.0780	9
I-Profile IP---.0800	10
Profile Machining	11
POLYAMIDE ROLLERS	12
Polyamide Light Roller PAS ---.0360	12
Polyamide Light Roller PAS ---.0200	13
Polyamide Light Roller with Flange PSAS ---.6200	15
STANDARD ROLLERS	16
Standard Roller Fixed TR---. 0200	16
Standard Roller TR---.0300	17
Standard Roller with Oilamide Sliding Block TR---.0360	18
Standard Roller STR---.6200	19
HEAVY ROLLERS	20
Heavy Roller Fixed XTR---.0200	20
Heavy Roller XTR---.0300	21
Heavy Roller XSTR---.6200	22
STAINLESS ROLLERS	23
Stainless Roller TR---.0390	23
Stainless Roller STR---.4200	24
GUIDEWAY UNITS	25
Heavy Duty Guideway Unit SFE---.5200	25
ACCESSORIES	26
Clamp Console KS---.3650	26
Fixing Element Square BQ---.1000	27
Fixing Element Rectangular BR---.1100	28
Stainless Fixing Element Square BQ---.4000	29
Stainless Fixing Element Rectangular BR---.4100	30
Distance Sheet BQ	31
Distance Sheet BR	32
Distance Ring	33
APPLICATION EXAMPLES	34

Product Overview

U-Rail is robust system where precision is secondary. The profiles can be welded on existing constructions and the rollers can be delivered with or without assembly plates. The U-Rail system is designed to compensate for deviations in parallelism.

U-rail is available in three different sizes in steel or stainless steel AISI 304, which makes it suitable for applications in very demanding environments. The profile material is easy to weld and offers high wear resistance and fine grained structure.

For smaller loads or high speed, it is possible to get polyamide rollers for a quieter and smoother operation.



Technical Data

Tolerances

The bearings specified in this catalog are manufactured according to DIN 620, class PN (PO), values load capacity are according to ISO 76 and 281/1.

Materials

Outer rings: Case-hardened steel 20CrMnTi, surface hardened at 62-2 HRC.
Inner rings: Bearing steel UNI 100Cr6, hardened at 62-2 HRC.
Welding bolts: S355 J2G3, easy weldable, bolt diam. range of tolerance 0/-0,05 mm.
Profiles: Material 18 MnNb6

Sealing

ZRS-seal Bearing with labyrinth / elastomer-seal, lubricated for lifetime.

Screws

TORX / Screw locking DIN 267-28 Polyamid coating.

Service Temperature

Generally from - 40 °C to +120 °C, for short time usable to +150 °C, high temperature bearings to +250 °C.

Important Information

The standard rollers have a convex contact surface.

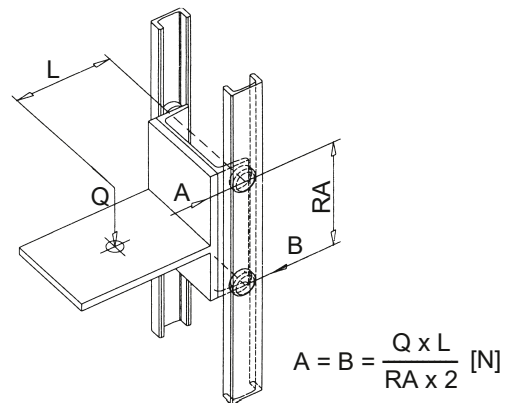
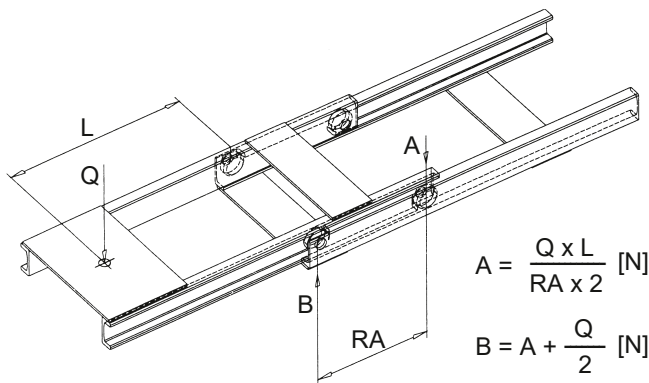
Bearings with diameter < 100 mm have to be dismantled before welding.

To avoid damage of the bearings we strongly recommend always to order the rollers with mounting plates.

Lubrication

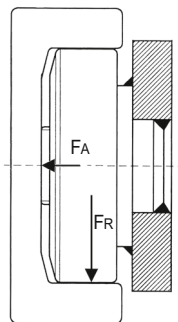
For steel rollers the guideway profiles have to be greased carefully on the contact surface before use. Standard bearings are lubricated with lithium-grease, grade 3.

Technical Dimensioning



- Q = Load with dead weight [N]
- L = Load distance [mm]
- RA = Roller distance [mm]
- A, B = Load capacity roller/profile [N]

Selection of Type

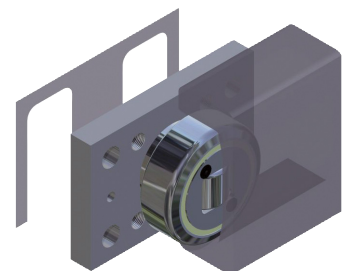
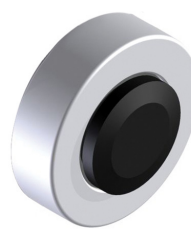


Rail

Steel Roller

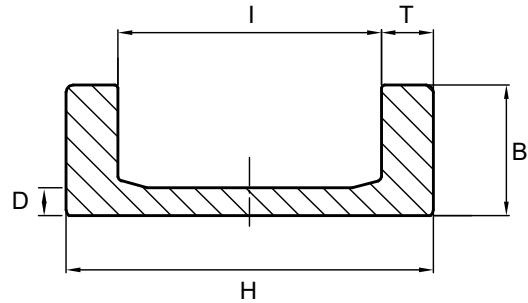
Polyamide Roller

Mounting Plate



For Rollers in Vulkollan® material please contact Rollco.

U-Profile UP---.0700



- Higher wear-resistance
- Fine grained structure
- Easy to weld
- Special machining on request
- Max length in one piece 12 m

Versions of delivery:

- | | |
|---|------------|
| 1. Standard | UP---.0700 |
| 2. Fine straightened style $\pm 0,3$ mm/m | UP---.0701 |
| 3. Sandblasted | UP---.0702 |
| 4. Sandblasted + fine straightened style | UP---.0703 |

Material:

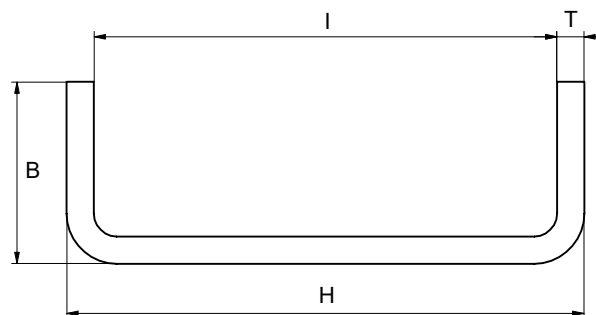
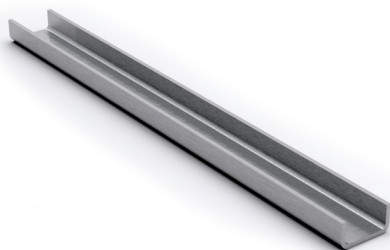
18MnNb 6 with plenty more load capacity by add-on of Niob (Nb) and vanadium (V)

Ordering example: UP 070.0700-2800 (U-Profile with inside measurement 70,8 mm, length 2800 mm)

Dimensions in mm.

Designation	B	D	H	I	T	Weight
UP060.0700	36,00	7 $\pm 0,5$	86,50	62,7 $\pm 0,8$	12 $\pm 0,5$	10,5 kg/m
UP070.0700	40 $\pm 0,8$	7,7 $\pm 0,5$	103,20	70,8 $\pm 0,5$	16,2 $\pm 0,5$	14,8 kg/m
UP080.0700	41 $\pm 0,5$	10,8 $\pm 0,5$	121,30	78,7 $\pm 0,5$	21,2 $\pm 0,5$	20,9 kg/m
UP090.0700	53 $\pm 0,5$	12,7 $\pm 0,5$	135,40	89,4 $\pm 0,5$	23 $\pm 0,5$	28,6 kg/m
UP110.0700	61,2 $\pm 0,8$	14 $\pm 0,5$	157,20	108,4 $\pm 0,5$	24,4 $\pm 0,5$	36 kg/m
UP120.0700	66,2 $\pm 0,8$	16,2 $\pm 0,5$	175,00	123,8 $\pm 0,5$	25,6 $\pm 0,5$	42,8 kg/m
UP150.0700	71,2 $\pm 0,8$	19,4 $\pm 0,5$	201,50	150,1 $\pm 0,5$	25,7 $\pm 0,5$	52,3 kg/m
UP180.0700	90 $\pm 0,6$	19,4 $\pm 0,5$	252,50	181,1 $\pm 0,6$	35,7 $\pm 0,6$	78,51 kg/m

Light U-Profile UP---.0730



- Higher wear-resistance
- Fine grained structure
- Easy to weld
- Special machining on request
- Max length in one piece 8 m

Material:

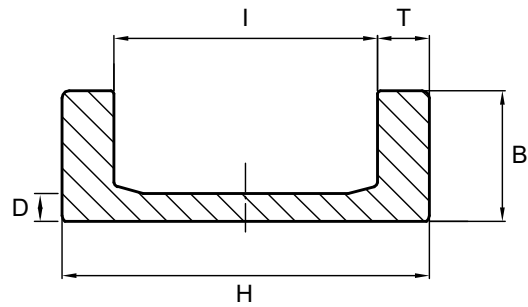
S235J2

Ordering example: UP 050.0730 - 2800 (U-Profile with inside measurement 53 mm, length 2800 mm)

Dimensions in mm.

Designation	B	H	I	T	Weight
UP040.0730	24,00	48,50	40,50	4,00	2.62 kg/m
UP050.0730	30,00	65,00	53,00	6,00	5.3 kg/m
UP060.0730	33,00	75,00	63,00	6,00	5.8 kg/m
UP100.0730	40,00	114,00	102,00	6,00	8.3 kg/m
UP125.0730	56,00	142,00	126,00	8,00	14.3 kg/m
UP145.0730	65,00	162,00	146,00	8,00	16.9 kg/m
UP160.0730	73,00	175,00	159,00	8,00	18.41 kg/m
UP180.0730	70,00	200,00	180,00	10,00	24.1 kg/m

Heavy U-Profile XUP---.0700



- Extra sustainable
- Extra exact
- Extra strong
- Extra long-lasting
- Chamber dimension tolerance 0,2 mm
- Max. loading pressure 1060 Mpa
- Elastic limit ≥ 550 Mpa
- Tensile strength 700 ... 900 Mpa
- Special machining on request
- Max length in one piece 8,8 m

Material:

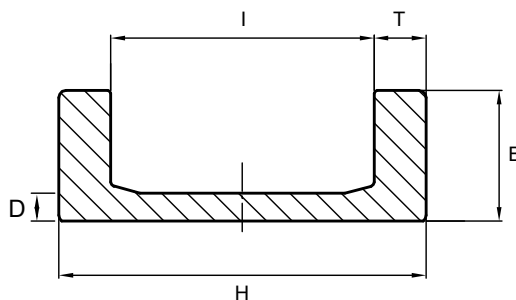
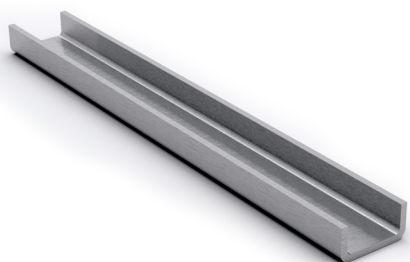
25 MnV5mod with plenty more load capacity

Ordering example: XUP 070.0700-2800 (U-Profile with inside measurement 74,1 mm, length 2800 mm)

Dimensions in mm.

Designation	B	D	H	I	T	Weight
XUP060.0700	36.00	7 ±0,5	86.50	65,8 ±0,1	10,3 ±0,5	9,82 kg/m
XUP070.0700	40 ±0,8	7,7 ±0,5	103.20	74,1 ±0,1	14,5 ±0,5	13.97 kg/m
XUP080.0700	41 ±0,5	10,8 ±0,5	121.30	82 ±0,1	19,6 ±0,5	20.24 kg/m
XUP090.0700	53 ±0,5	12,7 ±0,5	135.40	92,7 ±0,1	21,3 ±0,5	27.65 kg/m
XUP110.0700	61,2 ±0,8	14 ±0,5	157.20	111,7 ±0,1	22,7 ±0,5	34.77 kg/m
XUP120.0700	66,2 ±0,8	16,2 ±0,5	175.00	127,1 ±0,1	23,9 ±0,5	41.69 kg/m
XUP150.0700	71,2 ±0,8	19,4 ±0,5	201.50	153,4 ±0,1	24 ±0,5	50.99 kg/m

Stainless U-Profile UP---.0780



- Stainless steel U-Profile
- Manufacturing length up to 8000 mm

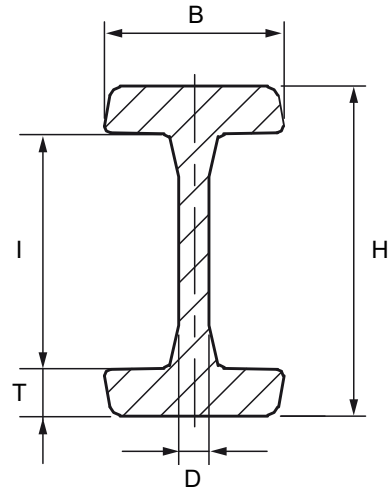
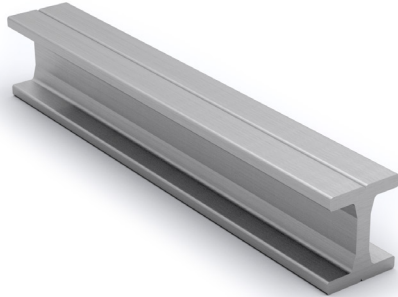
Material:
1.4301

Ordering example: UP 070.0780-2800 (U-Profile with inside measurement 74,1 mm, length 2800 mm)

Dimensions in mm.

Designation	B	D	H	I	T	Weight
UP050.0780	31.00	6.00	65 ±0,4	53 ±0,4	6.00	5,3 kg/m
UP070.0780	38 ±0,8	8 ±0,5	90,5 ±0,8	71 ±0,8	9.75	10,7 kg/m
UP080.0780	41 ±0,8	10,8 ±0,8	121,3 ±0,8	78,7 ±0,7	21.30	21 kg/m

I-Profile IP---.0800



- Higher wear resistance
- Fine grained structure
- Easy to weld

Versions of delivery:

- Standard IP---.0800
- Fine straightened style $\pm 0,3$ mm/m IP---.0801
- Sandblasted IP---.0802
- Sandblasted + fine straightened style IP---.0803

Material:

Material 18MnNb 6 with plenty more load capacity by add-on of Niob (Nb).

Ordering example: IP 070.0800-2800 (I-Profile with inside measurement 70 mm, length 2800 mm)

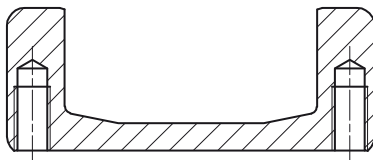
Dimensions in mm.

Designation	B	D	H	I	T	Weight
IP060.0800	72 ± 1	14 $\pm 0,5$	86,5	62,7 $+0,8$	12 $\pm 0,5$	21,0 kg/m
IP070.0800	65 ± 1	9 $\pm 0,5$	98	70 $+1$	14 $\pm 0,5$	19,4 kg/m
IP080.0800	66 ± 1	11 $\pm 0,5$	113,9	77,9 $+1$	18 $\pm 0,5$	25,3 kg/m
IP090.0800	81 $\pm 1,25$	12 $\pm 0,5$	129,6	88,6 $+1$	20,5 $\pm 0,5$	34,0 kg/m
IP110.0800	83 ± 1	14 $\pm 0,5$	152,4	108,4 $\pm 0,5$	22 $\pm 0,5$	40,8 kg/m
IP120.0800	90 $\pm 1,3$	15 $\pm 0,5$	175 $\pm 0,5$	123,8 $\pm 0,5$	25,6 $\pm 0,5$	51,5 kg/m

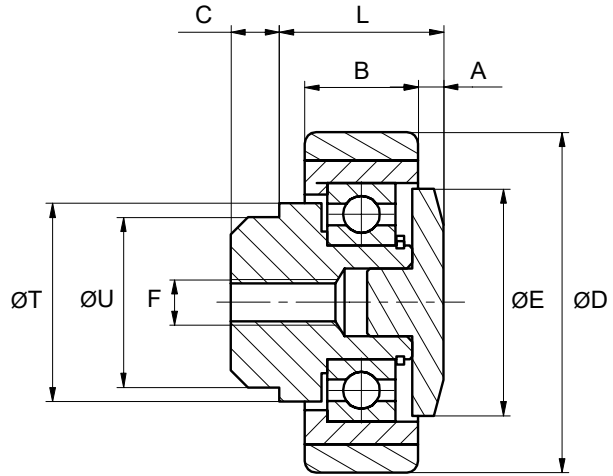
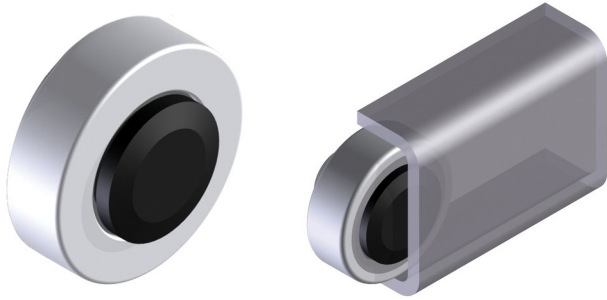
Profile Machining

The profiles are manufactured according to your specifications. Please define the favoured pitch.

Example of machining:



Polyamide Light Roller PAS ---.0360



- Polyamide roller combined – fixed with oilamide sliding block
- Lubricated for lifetime
- High abrasion resistance
- Low friction
- High chemical resistance to alcohol, salts, greases and certain acids and alkalis in diluted concentration.

Temperature:

Maximum working temperature 80° C.

Speed:

Travel speed up to 5 m/sec.

Reduction of value by speed of:

- 1 m/sec: 0%
- 2 m/sec: -20%
- 3 m/sec: -30%

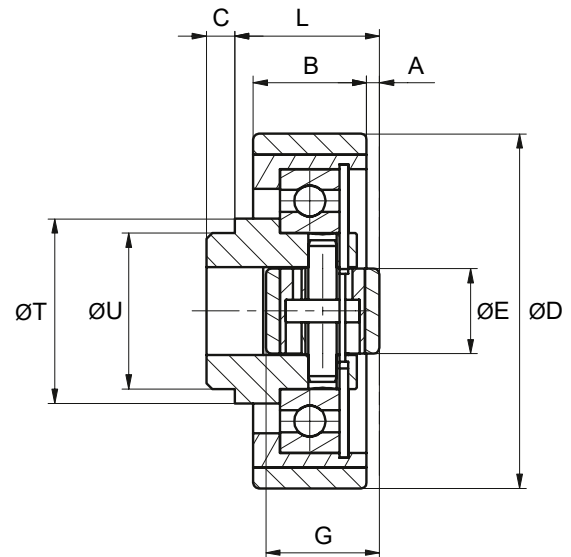
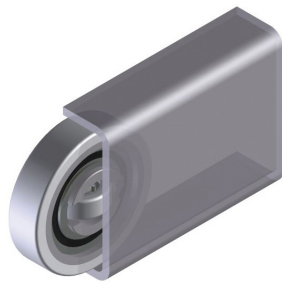
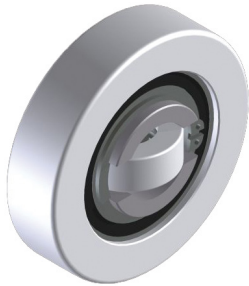
Use profile UP---.0730. See Fixing element rectangular and square.

Order example: Roller + fixing plate PAS040.0360/BQ 1000
 Roller Ø 40 mm - welded with mounting element 50 mm x 50 mm x 8 mm

Dimensions in mm.

Designation	System Load Capacity Radial	System Load Capacity Axial	A	B	C	D	E	F	L	T	U
PAS040.0360	900 N	400 N	2.80	15.00	2.80	40.00	20.00	M6	24.00	25.00	20.00
PAS050.0360	1200 N	400 N	5.00	15.00	5.00	52.50	31.00	M8	27.00	35.00	30.00
PAS060.0360	1500 N	600 N	4.50	18.00	8.50	62.50	40.00	M8	29.00	35.00	30.00
PAS100.0360	2500 N	600 N	6.30	25.00	8.00	101.20	64.00	—	41.00	50.00	45.00

Polyamide Light Roller PAS ---.0200



- Polyamide roller combined - fixed
- Lubricated for lifetime
- High abrasion resistance
- Low friction
- High chemical resistance to alcohol, salts, greases and certain acids and alkalis in diluted concentration.

Temperature:

Maximum working temperature 80° C.

Speed:

Travel speed up to 5 m/sec.

Reduction of value by speed of:

- 1 m/sec: 0%
- 2 m/sec: -20%
- 3 m/sec: -30%

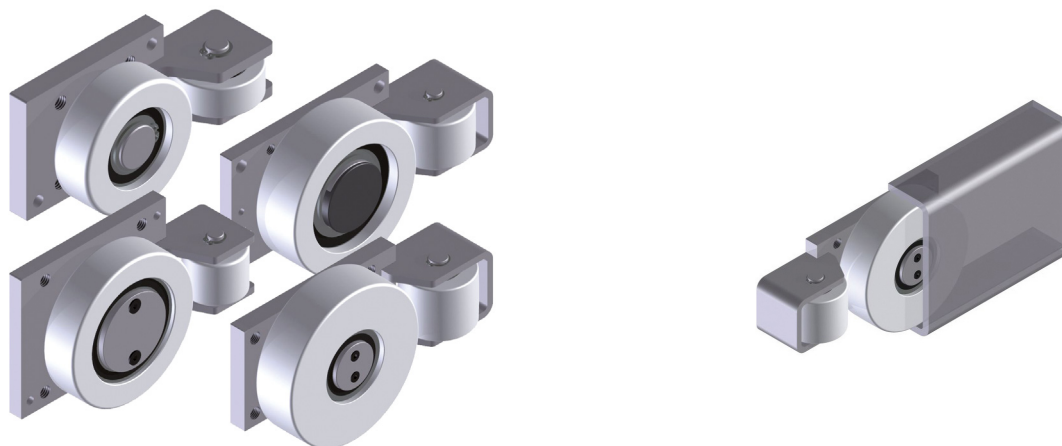
Use profile UP---.0730. See Fixing element rectangular and square.

Order example: Roller + fixing plate PAS040.0360/BQ1000
 Roller Ø 40 mm - welded with mounting element 50 mm x 50 mm x 8 mm

Dimensions in mm.

Designation	System Load Capacity Radial	System Load Capacity Axial	A	B	C	D	E	G	L	T	U
PAS100.0200	2500 N	900 N	6.50	25.00	8.00	101.20	15.00	40.00	41.00	51.00	45.00
PAS125.0200	6000 N	1300 N	4.50	40.00	10.00	125.00	30.00	40.00	51.00	65.00	55.00

Polyamide Light Roller with Flange PSAS ---.6200



- Polyamide roller combined – fixed axial roller with higher load capacity
- Lubricated for lifetime
- High abrasion resistance
- Low friction
- High chemical resistance to alcohol, salts, greases and certain acids and alkalis in diluted concentration.

Temperature:

Maximum working temperature 80° C.

Speed:

Travel speed up to 5 m/sec.

Reduction of value by speed of:

- 1 m/sec: 0%
- 2 m/sec: -20%
- 3 m/sec: -30%

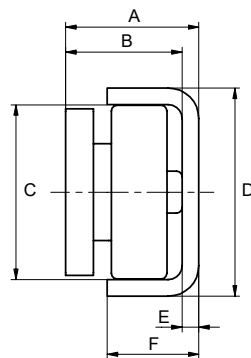
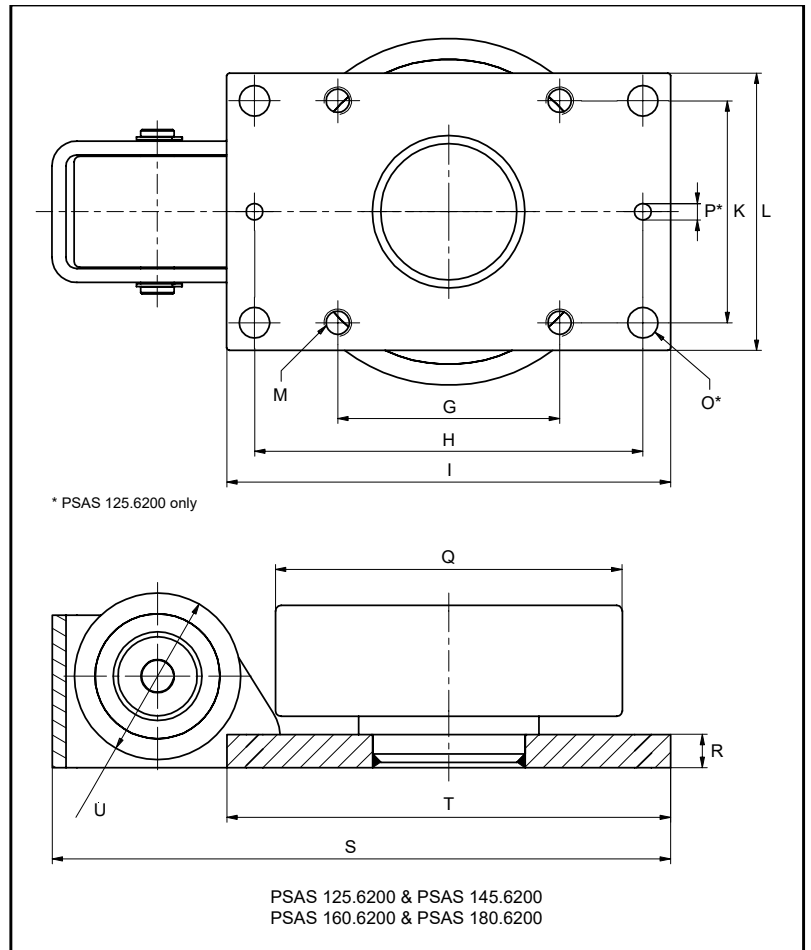
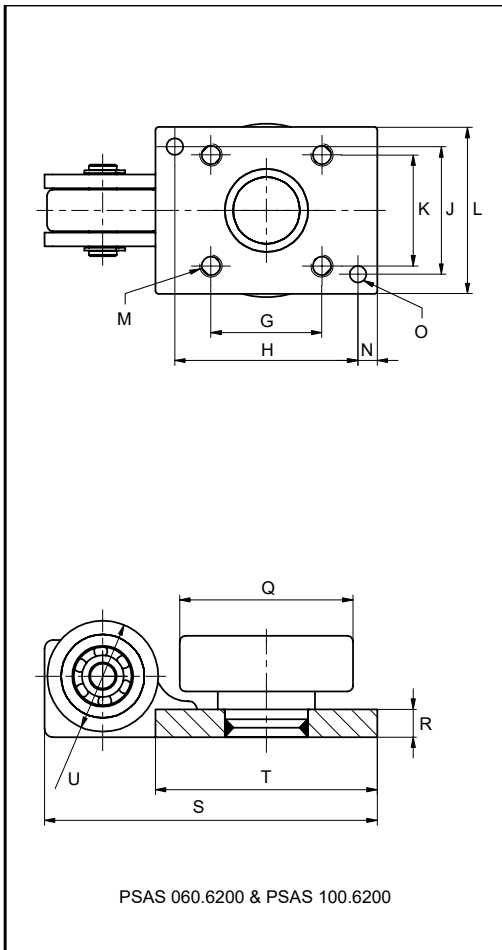
Use profile UP---.0730

Order example: Roller + fixing plate PAS040.0360/BQ1000

Roller Ø 40 mm - welded with mounting element 50 mm x 50 mm x 8 mm

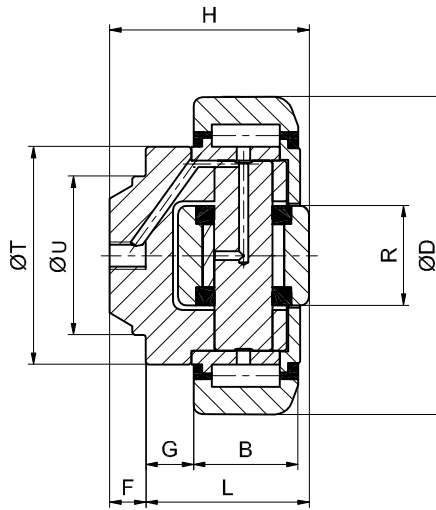
Dimensions in mm.

Designation	System Load Capacity Radial	System Load Capacity Axial	A	B	C	D	E	F	G
PSAS060.6200	1500 N	900 N	48.00	42.00	63.00	75.00	6.00	33.00	40.00
PSAS100.6200	2500 N	1800 N	57.00	51.00	102.00	114.00	6.00	40.00	80.00
PSAS125.6200	6000 N	2500 N	71.00	63.00	126.00	142.00	8.00	56.00	80.00
PSAS145.6200	8000 N	5000 N	96.00	88.00	146.00	162.00	8.00	65.00	130.00
PSAS160.6200	10000 N	5000 N	96.00	88.00	159.00	175.00	8.00	73.00	140.00
PSAS180.6200	15000 N	6500 N	98.00	88.00	180.00	200.00	10.00	70.00	160.00



H	J	K	L	M	N	O	P	Q	R	S	T	U
66.00	46.00	40.00	60.00	4 x M8	7.00	2 x Ø6	—	62.50	10.00	120.00	80.00	40.00
105.00	80.00	80.00	100.00	4 x M10	7.50	2 x Ø6	—	62.50	10.00	120.00	80.00	40.00
140.00	—	80.00	100.00	4 x M10	—	4 x Ø11	2 x Ø6	125.00	12.00	223.00	160.00	60.00
—	—	90.00	120.00	4 x M16	—	—	—	145.00	20.00	263.00	180.00	80.00
—	—	90.00	120.00	4 x M16	—	—	—	158.00	20.00	273.00	190.00	80.00
—	—	90.00	120.00	4 x M16	—	—	—	179.00	20.00	295.00	210.00	80.00

Standard Roller Fixed TR---. 0200



- Lubricated for lifetime.
- Optional from size 60 relubricable.

Use profile UP---.0700. Use profile UP---.0730 for TR050.0200
 Fixing square element BQ---.1000. Rectangular fixing element BR---.1100

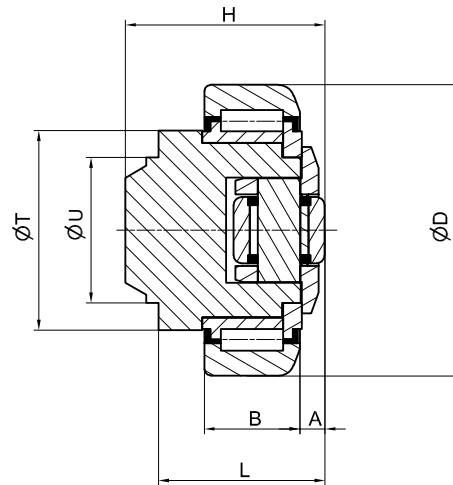
Note! Dynamic load capacity refers to bearing.

Dimensions in mm.

Designation	Dynamic Load Capacity Radial	Dynamic Load Capacity Axial	System Load Capacity Radial	System Load Capacity Axial
TR050.0200	24500 N	7500 N	5300 N	2000 N
TR060.0200	31000 N	11000 N	8870 N	2950 N
TR070.0200	45500 N	13000 N	11400 N	3150 N
TR080.0200	48000 N	18000 N	12870 N	5000 N
TR090.0200	68000 N	23000 N	20370 N	5100 N
TR110.0200	81000 N	31000 N	24060 N	8900 N
TR120.0200	110000 N	43000 N	33440 N	9800 N
TR150.0200	151000 N	68000 N	51940 N	17400 N
TR180.0200	207000 N	73000 N	76000 N	23000 N

Designation	B	D	F	G	H	L	R	T	U
TR050.0200	17,00	52,50	6,00	5,00	33,00	27,00	16,00	40,00	30,00
TR060.0200	20,00	62,50	7,00	9,00	37,50	30,50	20,00	42,00	30,00
TR070.0200	23,00	70,10	8,00	10,50	44,00	36,00	22,00	48,00	35,00
TR080.0200	23,00	77,70	11,50	10,50	48,00	36,50	24,00	54,00	40,00
TR090.0200	30,00	88,40	13,00	10,50	57,00	44,00	26,00	59,00	45,00
TR110.0200	31,00	107,70	14,00	20,00	69,00	55,00	34,00	71,00	60,00
TR120.0200	37,00	123,00	16,30	14,00	72,30	56,00	40,00	80,00	60,00
TR150.0200	45,00	149,00	20,00	8,50	78,50	58,50	50,00	103,00	60,00
TR180.0200	57,30	180,00	19,40	12,50	95,70	76,30	60,00	124,00	100,00

Standard Roller TR---.0300



- Lubricated for lifetime.

Use profile UP---.0700.

Fixing square element BQ---.1000.

Rectangular fixing element BR---.1100

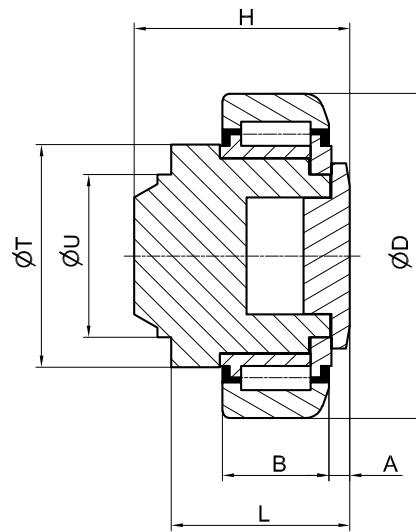
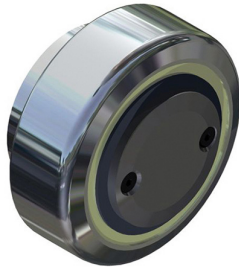
Note! Dynamic load capacity refers to bearing.

Dimensions in mm.

Designation	Dynamic Load Capacity Radial	Dynamic Load Capacity Axial	System Load Capacity Radial	System Load Capacity Axial
TR060.0300	31000 N	8000 N	8870 N	2950 N
TR070.0300	45500 N	13000 N	11400 N	3150 N
TR080.0300	48000 N	14000 N	12870 N	5000 N
TR090.0300	68000 N	15000 N	20370 N	5100 N
TR110.0300	81000 N	31000 N	24060 N	8900 N
TR120.0300	110000 N	31000 N	33440 N	9800 N
TR150.0300	151000 N	68000 N	51940 N	17400 N

Designation	A	B	D	H	L	T	U
TR060.0300	5,50	20,00	62,50	43,00	33,00	42,00	30,00
TR070.0300	6,50	23,00	70,10	48,00	40,00	48,00	35,00
TR080.0300	7,00	23,00	77,70	50,50	39,50	54,00	40,00
TR090.0300	7,00	30,00	88,40	61,00	48,00	59,00	45,00
TR110.0300	8,00	31,00	107,70	69,00	55,00	71,00	60,00
TR120.0300	8,00	37,00	123,00	75,80	59,50	80,00	60,00
TR150.0300	15,00	45,00	149,00	89,00	69,00	103,00	60,00

Standard Roller with Oilamide Sliding Block TR---.0360



- Lubricated for lifetime.

Use profile UP---.0700.

Fixing square element BQ---.1000. Rectangular fixing element BR---.1100.

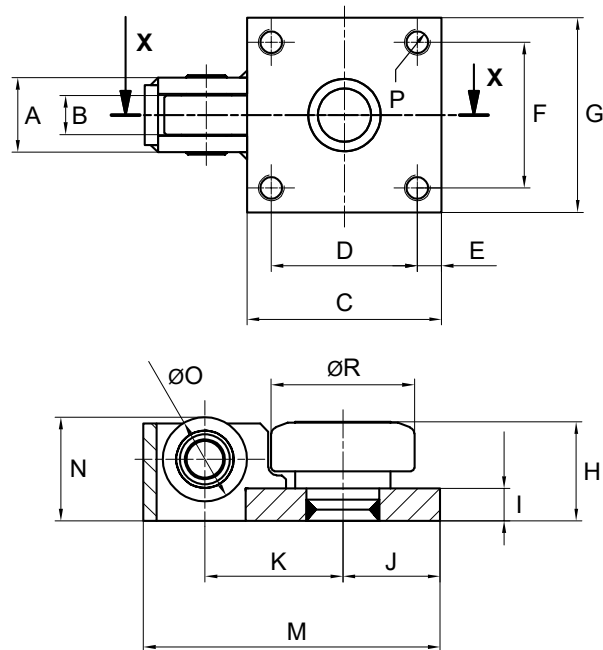
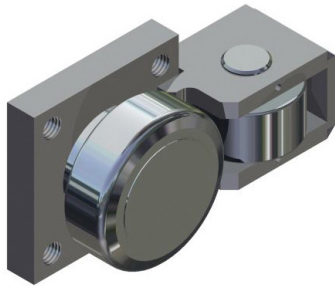
Note! Dynamic load capacity refers to bearing.

Dimensions in mm.

Designation	Dynamic Load Capacity Radial	System Load Capacity Radial	System Load Capacity Axial
TR050.0360	24500 N	5300 N	2000 N
TR060.0360	31000 N	8870 N	2950 N
TR070.0360	45500 N	11400 N	3150 N
TR080.0360	48000 N	12870 N	5000 N
TR090.0360	68000 N	20370 N	5100 N
TR110.0360	81000 N	24060 N	8900 N
TR120.0360	110000 N	33440 N	9800 N
TR150.0360	151000 N	51940 N	17400 N

Designation	A	B	D	H	L	T	U
TR050.0360	6,00	17,00	52,50	34,00	28,00	40,00	30,00
TR060.0360	5,50	20,00	62,50	43,00	33,00	42,00	30,00
TR070.0360	6,50	23,00	70,10	48,00	40,00	48,00	35,00
TR080.0360	7,00	23,00	77,70	50,50	39,50	54,00	40,00
TR090.0360	7,00	30,00	88,40	61,00	48,00	59,00	45,00
TR110.0360	8,00	31,00	107,70	69,00	55,00	71,00	60,00
TR120.0360	8,00	37,00	123,00	75,80	59,50	80,00	60,00
TR150.0360	8,00	45,00	149,00	82,00	62,00	103,00	60,00

Standard Roller STR---.6200



- This roller with axial bearing gives 40% higher load capacity.
- Lubricated for lifetime.
- Special dimensions on request.

Use profile UP---.0700

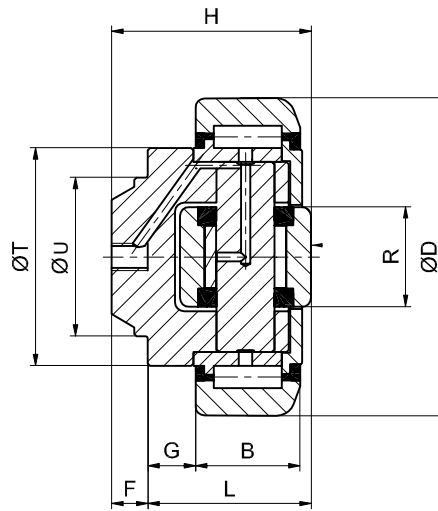
Order example: STR 080.6200 (Standard roller STR 080.6200)

Dimensions in mm.

Designation	System Load Capacity Radial	System Load Capacity Axial	A	B	C	D	E	F
STR060.6200	8870 N	7000 N	38,00	20,00	70,00	50,00	10,00	50,00
STR070.6200	11400 N	11000 N	42,00	24,00	80,00	60,00	10,00	60,00
STR080.6200	12870 N	11000 N	46,00	24,00	100,00	70,00	15,00	70,00
STR090.6200	20370 N	13000 N	46,00	24,00	120,00	90,00	15,00	90,00
STR110.6200	20000 N	24060 N	54,00	28,00	140,00	100,00	20,00	100,00
STR120.6200	33440 N	20000 N	58,00	28,00	140,00	100,00	20,00	100,00
STR150.6200	51940 N	20000 N	54,00	28,00	160,00	120,00	20,00	120,00

Designation	G	H	I	J	K	M	N	O	P	R
STR060.6200	70,00	41,50	12,00	35,00	55,00	118,00	42,50	Ø 40	4 x M10	Ø 62,5
STR070.6200	80,00	49,00	15,00	40,00	65,00	137,00	51,00	Ø 47	4 x M12	Ø 70,1
STR080.6200	100,00	48,50	15,00	50,00	75,00	157,00	51,50	Ø 47	4 x M12	Ø 77,7
STR090.6200	120,00	61,00	20,00	60,00	85,00	183,00	64,00	Ø 52	4 x M16	Ø 88,4
STR110.6200	140,00	71,50	20,00	70,00	105,00	223,00	75,00	Ø 72	4 x M16	Ø 107,1
STR120.6200	140,00	71,50	20,00	70,00	107,00	225,00	76,00	Ø 72	4 x M16	Ø 123
STR150.6200	160,00	79,00	25,00	80,00	120,00	248,00	83,50	Ø 72	4 x M16	Ø 149

Heavy Roller Fixed XTR---.0200



- Up to 60% higher load capacity.
- Extra sustainable.
- Extra exact.
- Extra strong.
- Extra long-lasting.

Use profile XUP---.0700.

Fixing square element BQ---.1000. Rectangular fixing element BR---.1100.

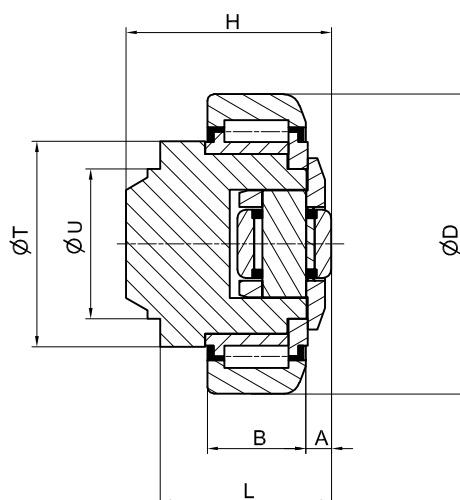
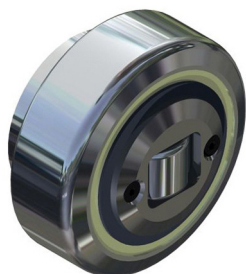
Note! Dynamic load capacity refers to bearing.

Dimensions in mm

Designation	Dynamic Load Capacity Radial	Dynamic Load Capacity Axial	System Load Capacity Radial	System Load Capacity Axial
XTR060.0200	31000 N	11000 N	15390 N	3800 N
XTR070.0200	45500 N	13000 N	16430 N	4100 N
XTR080.0200	48000 N	18000 N	18210 N	6500 N
XTR090.0200	68000 N	23000 N	31680 N	6600 N
XTR110.0200	81000 N	31000 N	34850 N	11500 N
XTR120.0200	110000 N	43000 N	47430 N	12700 N
XTR150.0200	151000 N	68000 N	82190 N	22600 N

Designation	B	D	F	G	H	L	R	T	U
XTR060.0200	20,00	65,50	7,00	9,00	37,50	30,50	20,00	42,00	30,00
XTR070.0200	23,00	73,80	8,00	10,50	44,00	36,00	22,00	48,00	35,00
XTR080.0200	23,00	81,70	11,50	10,50	48,00	36,50	24,00	54,00	40,00
XTR090.0200	30,00	92,40	13,00	10,50	57,00	44,00	26,00	59,00	45,00
XTR110.0200	31,00	111,40	14,00	20,00	69,00	55,00	34,00	71,00	60,00
XTR120.0200	37,00	126,80	16,30	14,00	72,30	56,00	40,00	80,00	60,00
XTR150.0200	45,00	153,10	20,00	8,50	78,50	58,50	50,00	103,00	60,00

Heavy Roller XTR---.0300



- Combined – adjustable with insert washer.
- Extra sustainable.
- Extra exact.
- Extra strong.
- Extra long-lasting.
- Adjustment of dimension A by using a shim.

Use profile XUP---.0700.

Fixing square element BQ---.1000. Rectangular fixing element BR---.1100.

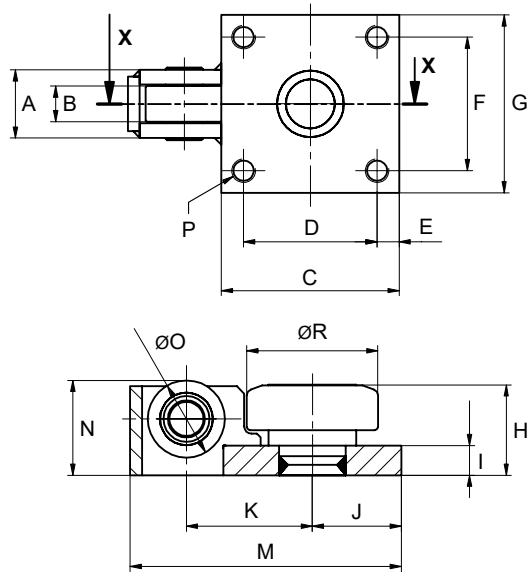
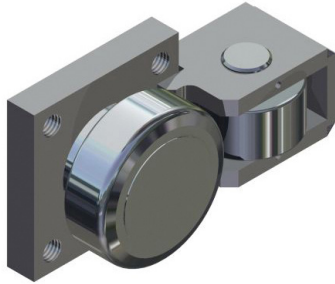
Note! Dynamic load capacity refers to bearing.

Dimensions in mm

Designation	Dynamic Load Capacity Radial	Dynamic Load Capacity Axial	System Load Capacity Radial	System Load Capacity Axial
XTR060.0300	31000 N	8000 N	15390 N	3800 N
XTR070.0300	45500 N	13000 N	16430 N	4100 N
XTR080.0300	48000 N	14000 N	18210 N	6500 N
XTR090.0300	68000 N	15000 N	31680 N	6600 N
XTR110.0300	81000 N	31000 N	34850 N	11500 N
XTR120.0300	110000 N	31000 N	47430 N	12700 N
XTR150.0300	151000 N	68000 N	82190 N	22600 N

Designation	A	B	D	H	L	T	U
XTR060.0300	5,50	20,00	65,50	43,00	33,00	42,00	30,00
XTR070.0300	6,50	23,00	73,80	48,00	40,00	48,00	35,00
XTR080.0300	7,00	23,00	81,70	50,50	39,50	54,00	40,00
XTR090.0300	7,00	30,00	92,40	61,00	48,00	59,00	45,00
XTR110.0300	8,00	31,00	111,40	69,00	55,00	71,00	60,00
XTR120.0300	8,00	37,00	126,80	75,80	59,50	80,00	60,00
XTR150.0300	15,00	45,00	153,10	89,00	69,00	103,00	60,00

Heavy Roller XSTR---.6200



- Axial roller with 35% higher load capacity.
- Extra sustainable.
- Extra exact.
- Extra strong.
- Extra long-lasting.
- Special dimensions on request.

Use profile XUP---.0700

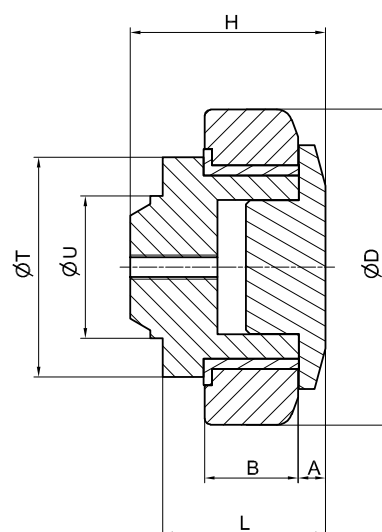
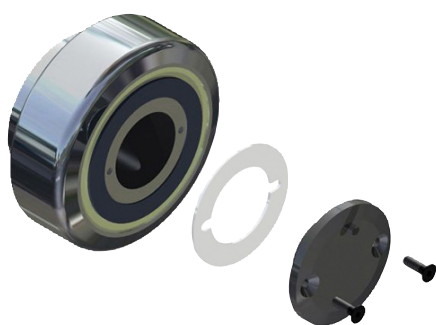
Order example: XSTR080.6200 (Heavy roller XSTR080.6200)

Dimensions in mm.

Designation	System Load Capacity Radial	System Load Capacity Axial	A	B	C	D	E	F
XSTR060.6200	15390 N	9000 N	38,00	20,00	70,00	50,00	10,00	50,00
XSTR070.6200	16430 N	14000 N	42,00	24,00	80,00	60,00	10,00	60,00
XSTR080.6200	18210 N	14000 N	46,00	24,00	100,00	70,00	15,00	70,00
XSTR090.6200	31680 N	17000 N	46,00	24,00	120,00	90,00	15,00	90,00
XSTR110.6200	34850 N	27000 N	54,00	28,00	140,00	100,00	20,00	100,00
XSTR120.6200	47430 N	27000 N	54,00	28,00	140,00	100,00	20,00	100,00
XSTR150.6200	82190 N	27000 N	54,00	28,00	160,00	120,00	20,00	120,00

Designation	G	H	I	J	K	M	N	O	P	R
XSTR060.6200	70,00	41,50	12,00	35,00	55,00	118,00	42,50	Ø 40	4 x M10	Ø 65,5
XSTR070.6200	80,00	49,00	15,00	40,00	65,00	137,00	51,00	Ø 47	4 x M12	Ø 73,8
XSTR080.6200	100,00	48,50	15,00	50,00	75,00	157,00	51,50	Ø 47	4 x M12	Ø 81,7
XSTR090.6200	120,00	61,00	20,00	60,00	85,00	183,00	64,00	Ø 52	4 x M16	Ø 92,4
XSTR110.6200	140,00	71,50	20,00	70,00	105,00	223,00	75,00	Ø 72	4 x M16	Ø 111,4
XSTR120.6200	140,00	71,50	20,00	70,00	107,00	225,00	76,00	Ø 72	4 x M16	Ø 126,8
XSTR150.6200	160,00	79,00	25,00	80,00	80,00	248,00	83,50	Ø 72	4 x M16	Ø 153,1

Stainless Roller TR---.0390



- Combined – fixed with oilamide sliding block
- Completely made of 1.4301 stainless steel with bearing bush out of synthetic material.

Use profile UP---.0780.

Fixing square element BQ---.4000. Rectangular fixing element BR---.4100.

For the adjustment of the axial clearance (A) distance rings will be used.

Order example: TR080.0390 (Roller, stainless, \varnothing 77,7 mm)

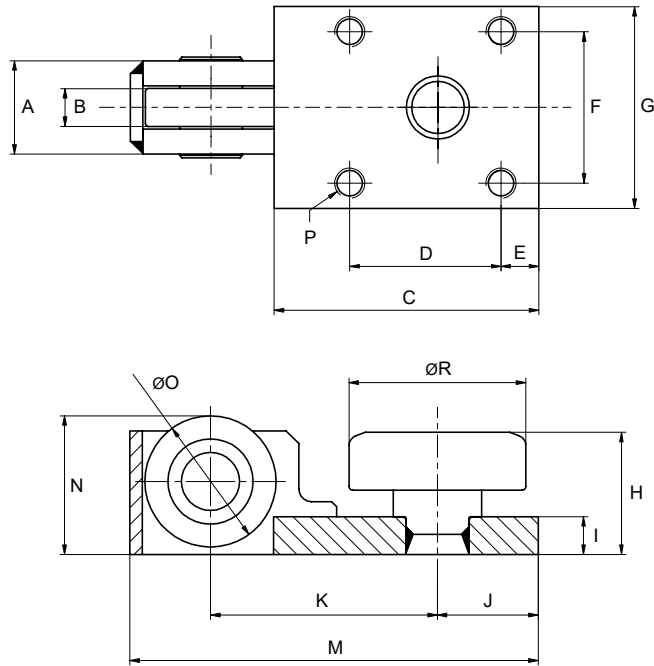
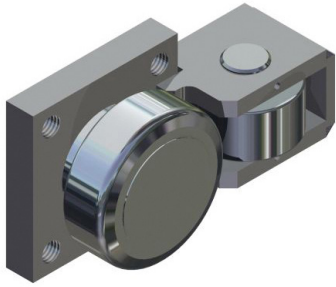
Note! Dynamic load capacity refers to bearing

Dimensions in mm

Designation	Dynamic Load Capacity Radial	System Load Capacity Radial	System Load Capacity Axial
TR050.0390	3700 N	3500 N	2000 N
TR070.0390	7000 N	6000 N	3000 N
TR080.0390	7500 N	7200 N	4000 N

Designation	A	B	D	H	L	T	U
TR050.0390	5,00	17,00	52,50	33,00	28,00	42,00	30,00
TR070.0390	6,50	23,00	70,10	48,00	40,00	54,00	35,00
TR080.0390	7,00	23,00	77,70	50,50	39,50	54,00	40,00

Stainless Roller STR---.4200



- Completely made of 1.4301 stainless steel with bearing bush out of synthetic material.

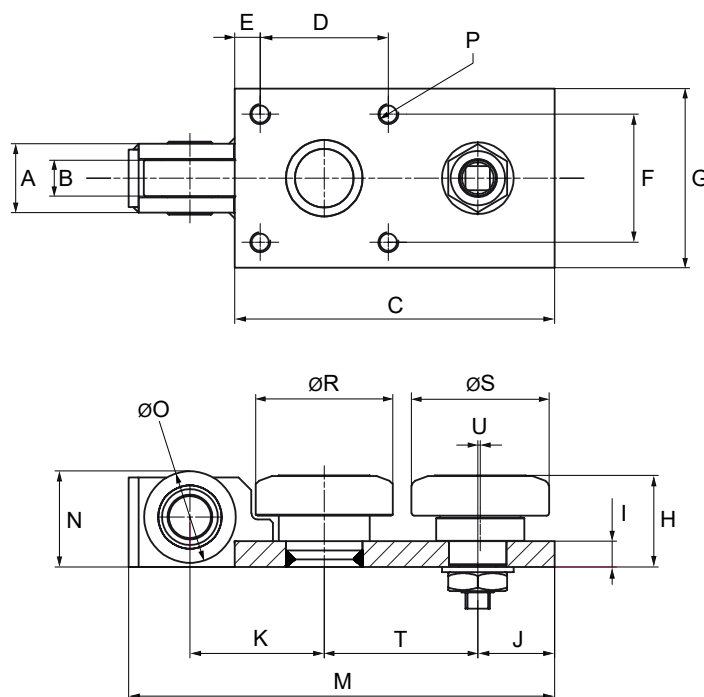
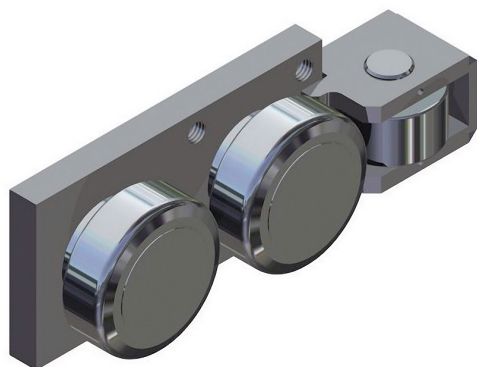
Use profile UP---.0780

Dimensions in mm.

Designation	System Load Capacity Radial	System Load Capacity Axial	A	B	C	D	E	F
STR070.4200	6000 N	3000 N	37,00	15,00	105,00	60,00	15,00	60,00
STR080.4200	7200 N	3000 N	37,00	15,00	105,00	60,00	15,00	60,00

Designation	G	H	I	J	K	M	N	O	P	R
STR070.4200	80,00	48,50	15,00	40,00	90,00	162,00	55,00	Ø 55	4 x M12	Ø 52
STR080.4200	80,00	48,50	15,00	40,00	90,00	162,00	55,00	Ø 55	4 x M12	Ø 52

Heavy Duty Guideway Unit SFE---.5200



- Heavy duty guideway unit axial bearing with 40 % higher load capacity
- Eccentric bearing adjustable to minimize clearance.
- Lubricated for lifetime.

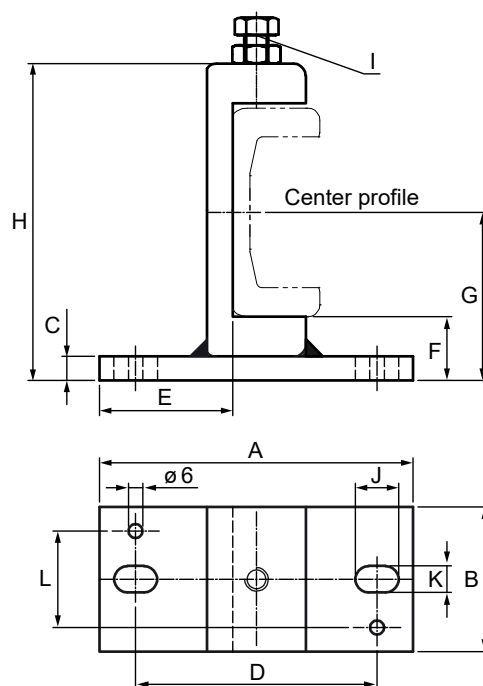
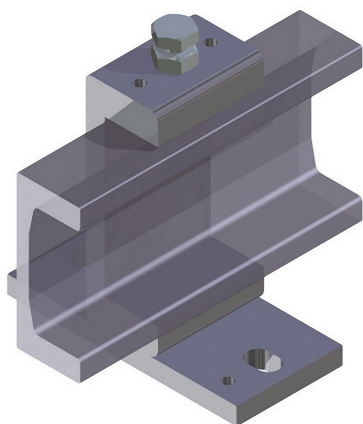
Special dimensions on request.

Dimensions in mm

Designation	System Load Capacity Radial	System Load Capacity Axial	A	B	C	D	E	F	G
SFE060.5200	8870 N	7000 N	38	20	140	50	10	50	70
SFE070.5200	11400 N	11000 N	42	24	160	60	10	60	80
SFE080.5200	12870 N	11000 N	46	24	180	70	15	70	100
SFE090.5200	20370 N	13000 N	45	24	210	90	15	90	120
SFE110.5200	24060 N	20000 N	54	28	250	100	20	100	140
SFE120.5200	33440 N	20000 N	54	28	280	100	20	100	140
SFE150.5200	51940 N	20000 N	54	28	325	120	20	120	160

Designation	H	I	J	K	M	N	O	P	R	S	T	U
SFE060.5200	41,5	12	35	55	188	42,5	40	4xM10	62,5	62,7	70	2
SFE070.5200	49	15	40	65	217	51	47	4xM12	70,1	70,1	80	2
SFE080.5200	48,5	15	45	75	237	51,5	47	4xM12	77,7	77,7	85	2
SFE090.5200	61	20	50	85	273	64	52	4xM16	88,4	88,4	100	2
SFE110.5200	71,5	20	60	105	333	75	72	4xM16	107,1	107,7	120	2
SFE120.5200	71,5	20	70	107	365	76	72	4xM16	123	123	140	2
SFE150.5200	79	25	80	80	-	83,5	72	4xM16	149	149	165	3

Clamp Console KS---.3650



Clamp console for U-profi les and precision U-profi les from size 050 up to 090.

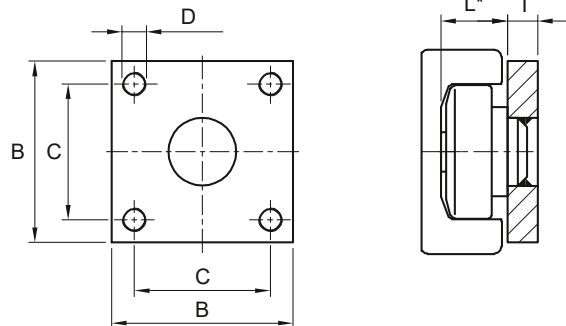
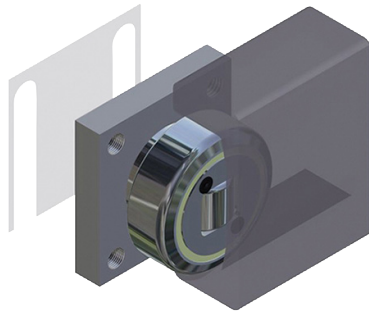
Ordering example: KS 060.3650 (Clamp console for U-Profile size 060)

Further sizes and other types are available on request. Please contact Rollco for more information.

Dimensions in mm.

Designation	A	B	C	D	E	F	G	H	I	J	K	L
KS050.3650	100	60	10	70	38,5	20,5	53,0	96,5	M8	16	10	40
KS060.3650	130	60	10	100	55,3	26,4	69,7	131,3	M10	18	12	40
KS070.3650	130	60	10	100	51,2	25,2	77	145,4	M10	18	12	40
KS080.3650	160	80	15	130	63,4	32,1	92,7	172,2	M12	20	14	60
KS090.3650	160	80	15	130	63,1	33,8	101,5	190,0	M12	20	14	60

Fixing Element Square BQ---.1000



- The fixing element is welded with the respective combined roller.
- Special dimensions on request.

Order example: Roller + Mounting plate TR070.0200/BQ1000

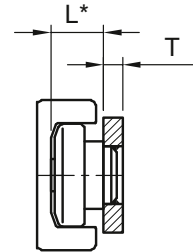
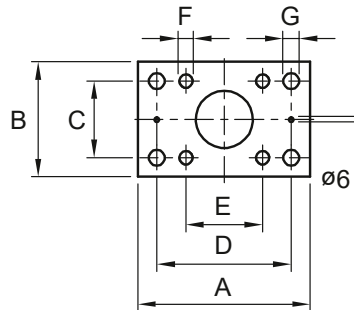
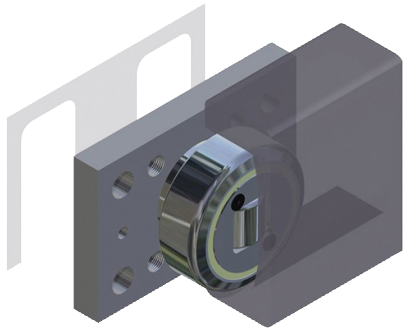
(Roller, combined, fixed, Ø 70,1 mm - welded with mounting plate 120 x 80 x 15 mm)

Dimensions in mm.

Designation	B	C	D	T	Remark
50-BQ1000	60,00	40,00	M8	10,00	Roller: TR050.--- Plate: BQ1000 Distance sheet: BQ050.1405, BQ050.1410
60-BQ1000	70,00	50,00	M10	12,00	Roller: TR060.--- / XTR060.--- Plate: BQ1000 Distance sheet: BQ060.1405, BQ060.1410
70-BQ1000	80,00	60,00	M12	15,00	Roller: TR070.--- / XTR070.--- Plate: BQ1000 Distance sheet: BQ070.1405, BQ070.1410
80-BQ1000	100,00	70,00	M12	15,00	Roller: TR080.--- / XTR080.--- Plate: BQ1000 Distance sheet: BQ080.1405, BQ080.1410
90-BQ1000	120,00	90,00	M16	20,00	Roller: TR090.--- / XTR090.--- Plate: BQ1000 Distance sheet: BQ090.1405, BQ090.1410
110-BQ1000	140,00	100,00	M16	20,00	Roller: TR110.--- / XTR110.--- Plate: BQ1000 Distance sheet: BQ110.1405, BQ110.1410
120-BQ1000	140,00	100,00	M16	20,00	Roller: TR120.--- / XTR120.--- Plate: BQ1000 Distance sheet: BQ120.1405, BQ120.1410
150-BQ1000	160,00	120,00	M16	25,00	Roller: TR150.--- / XTR150.--- Plate: BQ1000 Distance sheet: BQ150.1405, BQ150.1410
180-BQ1000	200,00	150,00	M20	30,00	Roller: TR180.--- Plate: BQ1000 Distance sheet: BQ180.1405, BQ180.1410

*For L measurement, see respective roller.

Fixing Element Rectangular BR---.1100



- The fixing element is welded with the respective combined roller
- Special dimensions on request.

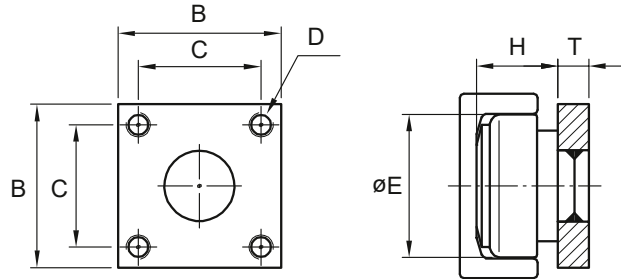
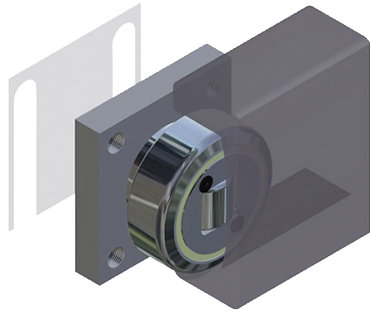
Order example: Roller + fixing element TR070.0200/BR 1100
 (Roller, combined, fixed, Ø 70,1 mm - welded with mounting plate 120 x 80 x 15 mm)

Dimensions in mm.

Designation	A	B	C	D	E	F	G	T	Remark
50-BR1100	100,00	60,00	40,00	80,00	40,00	M10	10,50	10,00	Roller: TR050.--- Plate: BR1100 Distance sheet: BR050.1505, BR050.1510
60-BR1100	100,00	60,00	40,00	80,00	40,00	M10	10,50	10,00	Roller: TR060.--- / XTR060.--- Plate: BR1100 Distance sheet: BR060.1505, BR060.1510
70-BR1100	120,00	80,00	50,00	90,00	50,00	M12	13,00	15,00	Roller: TR070.--- / XTR070.--- Plate: BR1100 Distance sheet: BR070.1505, BR070.1510
80-BR1100	120,00	80,00	50,00	90,00	50,00	M12	13,00	15,00	Roller: TR080.--- / XTR080.--- Plate: BR1100 Distance sheet: BR080.1505, BR080.1510
90--BR1100	160,00	100,00	60,00	120,00	60,00	M16	17,00	20,00	Roller: TR090.--- / XTR090.--- Plate: BR1100 Distance sheet: BR090.1505, BR090.1510
110-BR1100	180,00	120,00	80,00	140,00	80,00	M16	17,00	20,00	Roller: TR110.--- / XTR110.--- Plate: BR1100 Distance sheet: BR110.1505, BR110.1510
120-BR1100	80,00	120,00	80,00	140,00	80,00	M16	17,00	20,00	Roller: TR120.--- / XTR120.--- Plate: BR1100 Distance sheet: BR120.1505, BR120.1510
150-BR1100	200,00	150,00	100,00	160,00	100,00	M16	17,00	20,00	Roller: TR150.--- / XTR150.--- Plate: BR1100 Distance sheet: BR150.1505, BR150.1510

*For L measurement, see respective roller.

Stainless Fixing Element Square BQ---.4000



- The fixing element is welded with the respective combined roller.

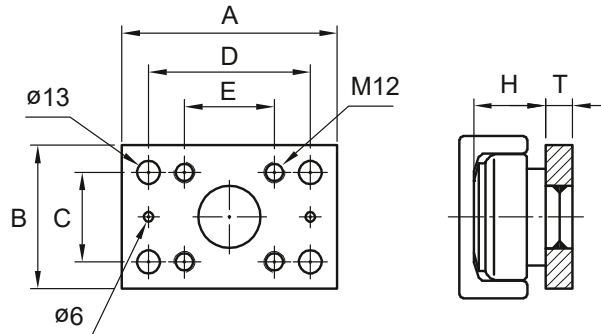
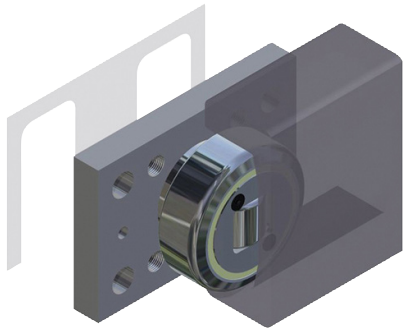
Order example: Roller + fixing element TR080.0390/BQ4000

Roller, adjustable, \varnothing 77,7 mm, INOX - welded to mounting plate 120 x 80 x 15 mm, INOX

Dimensions in mm.

Designation	B	C	D	E	H	T	Remark
50-BQ4000	60,00	40,00	M8	52,50	28,00	10,00	Roller: TR050.0390
70-BQ4000	80,00	60,00	M12	70,10	40,00	15,00	Roller: TR070.0390
80-BQ4000	80,00	60,00	M12	77,70	39,50	15,00	Roller: TR080.0390

Stainless Fixing Element Rectangular BR---.4100

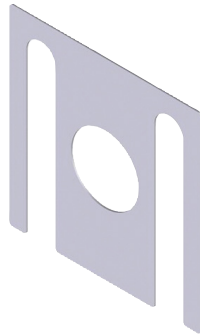


- The fixing element is welded with the respective combined roller.

Dimensions in mm.

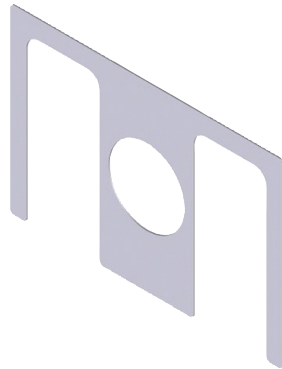
Designation	A	B	C	D	E	H	T	Remark
70-BR4100	120,00	80,00	50,00	90,00	50,00	40,00	15,00	Roller: TR070.0390
80-BR4100	120,00	80,00	50,00	60,00	50,00	39,50	15,00	Roller: TR080.0390

Distance Sheet BQ



Designation	Material	Remark
BQ050.1405	Steel	0,5 mm thick
BQ060.1405	Steel	0,5 mm thick
BQ070.1405	Steel	0,5 mm thick
BQ080.1405	Steel	0,5 mm thick
BQ090.1405	Steel	0,5 mm thick
BQ110/120.1405	Steel	0,5 mm thick
BQ120.1405	Steel	0,5 mm thick
BQ150.1405	Steel	0,5 mm thick
BQ050.1410	Steel	1,0 mm thick
BQ060.1410	Steel	1,0 mm thick
BQ070.1410	Steel	1,0 mm thick
BQ080.1410	Steel	1,0 mm thick
BQ090.1410	Steel	1,0 mm thick
BQ110/120.1410	Steel	1,0 mm thick
BQ120.1410	Steel	1,0 mm thick
BQ050.4405	Stainless steel	0,5 mm thick
BQ070/080.4405	Stainless steel	0,5 mm thick
BQ080.4405	Stainless steel	0,5 mm thick
BQ050.4410	Stainless steel	1,0 mm thick
BQ070/080.4410	Stainless steel	1,0 mm thick
BQ080.4410	Stainless steel	1,0 mm thick

Distance Sheet BR



Designation	Material	Remark
BR050/060.1505	Steel	0,5 mm thick
BR060.1505	Steel	0,5 mm thick
BR080.1505	Steel	0,5 mm thick
BR090.1505	Steel	0,5 mm thick
BR120.1505	Steel	0,5 mm thick
BR150.1505	Steel	0,5 mm thick
BR180.1505	Steel	0,5 mm thick
BR050.1510	Steel	1,0 mm thick
BR060.1510	Steel	1,0 mm thick
BR070/080.1510	Steel	1,0 mm thick
BR080.1510	Steel	1,0 mm thick
BR090.1510	Steel	1,0 mm thick
BR110/120.1510	Steel	1,0 mm thick
BR120.1510	Steel	1,0 mm thick
BR180.1510	Steel	1,0 mm thick
BR050.4505	Stainless steel	0,5 mm thick
BR070.4505	Stainless steel	0,5 mm thick
BR080.4505	Stainless steel	0,5 mm thick
BR050.4510	Stainless steel	1,0 mm thick
BR070.4510	Stainless steel	1,0 mm thick
BR080.4510	Stainless steel	1,0 mm thick

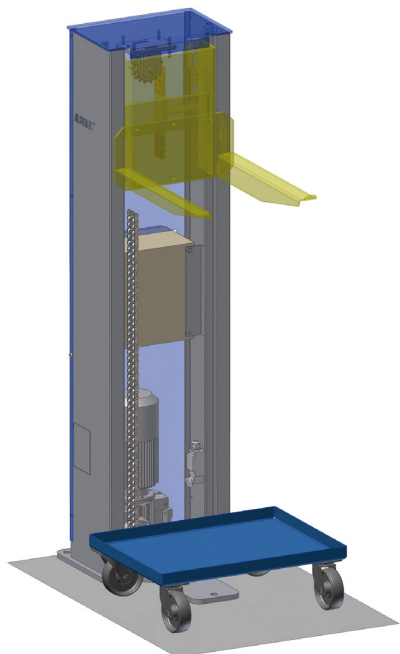
Distance Ring



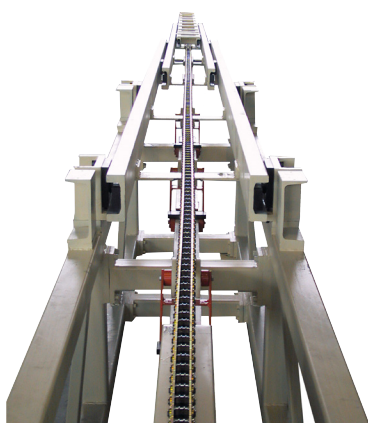
For adjustment of the axial clearance of Stainless Roller TR---.0390.

Designation	Remark
DR050.4905	0,5 mm thick
DR070.4905	0,5 mm thick
DR080.4905	0,5 mm thick
DR050.4910	1,0 mm thick
DR070.4910	1,0 mm thick
DR080.4910	1,0 mm thick

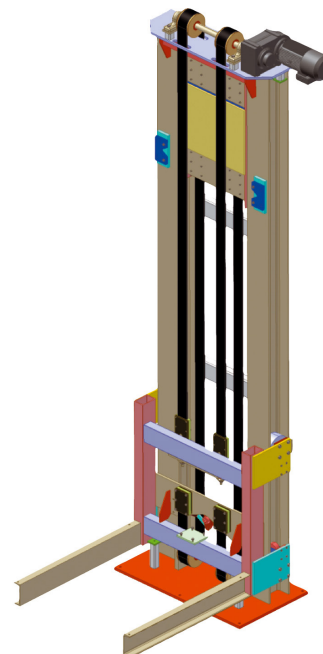
Application Examples



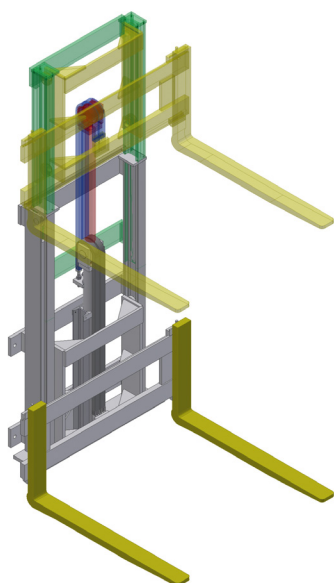
Box lifter. Electrical/pneumactical.
Up to 350 kg lifting capacity.



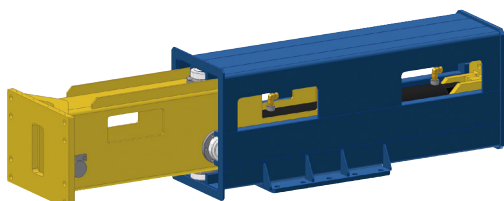
Telescope unit, vertical.



Lift systems. Belt transmission.
Up to 5000 kg lifting capacity.



Lift system, hydraulic.



Telescope unit, horizontal.

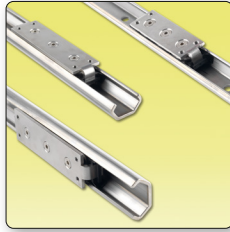


Lift system, hydraulic.

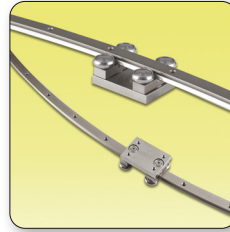
Rollco Products



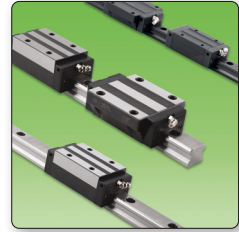
COMPACT RAIL



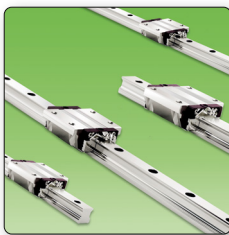
C-RAIL



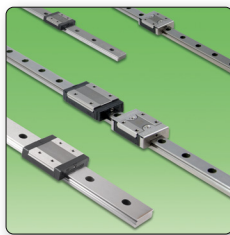
CURVI LINE



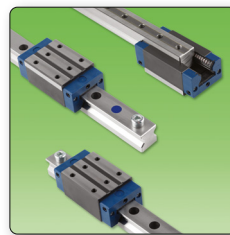
LINEAR RAIL SBI



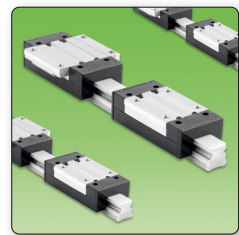
LINEAR RAIL
HRC/ARC/ERC



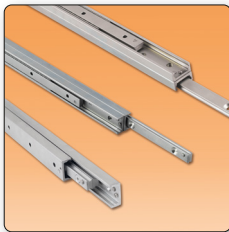
LINEAR MINIATURE
GUIDE



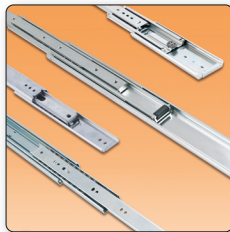
LINEAR ROLLER
GUIDE



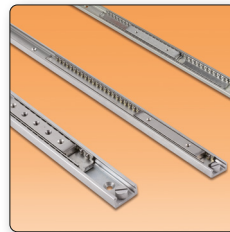
LINEAR RAIL
ALUMINIUM



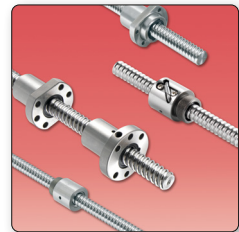
TELESCOPIC RAIL
HEAVY



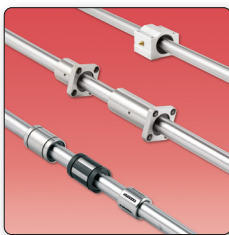
TELESCOPIC RAIL
LIGHT



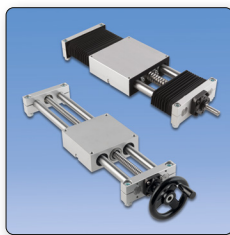
EASYSLIDE



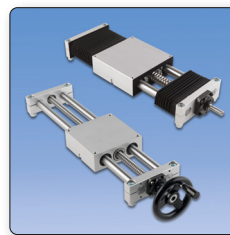
BALL SCREWS



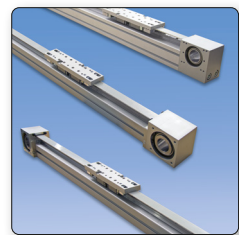
BALL BEARINGS
& STEEL SHAFTS



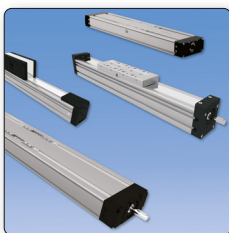
LINEAR UNIT QME



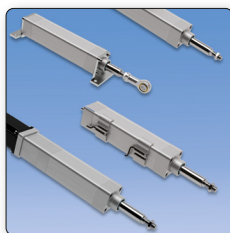
LINEAR UNIT QME



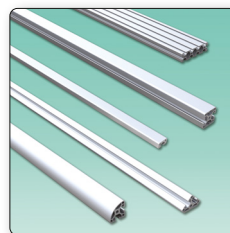
LINEAR UNIT E-SMART



LINEAR UNITS CT & MT



PNCE ELECTRO-
MECHANICAL CYLINDERS



ALUMINIUM PROFILES



BELT CONVEYORS

**ALWAYS THE RIGHT
SOLUTION AT THE RIGHT TIME.**

ROLLCO

LINEAR SOLUTIONS **YOUR** WAY

With reliability, competence and commitment Rollco rapidly delivers the right solutions and components to create safe and cost-effective automation and linear movement.

Rollco AB
Box 22234
Ekvändan 3
250 24 Helsingborg
Sweden
Tel. +46 42 150040
www.rollco.se

Rollco A/S
Skomagervej 13 E
7100 Vejle
Denmark
Tel. +45 7552 2666
www.rollco.dk

Rollco Oy
Sarankulmankatu 12
33900 Tampere
Finland
Tel. +358 207 57 97 90
www.rollco.fi

Rollco Norge AS
Industrigata 6
3414 Lierstrada
Norway
Tel. +47 32 84 00 34
www.rollco.no

Rollco Taiwan
No. 28, Lane 125, Da-an Road
Shulin District 238
New Taipei City, Taiwan
Tel. +886-2-8687-2726
Fax +886-2-8687-2720
www.rollco-tw.com