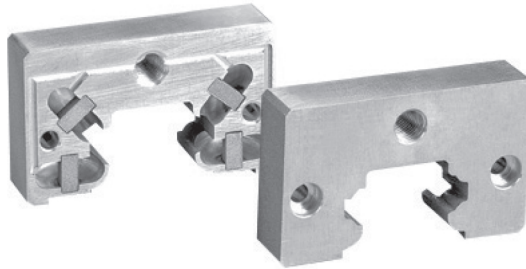


Selection of Hand Clamps

Rail Guide Type	Hand Clamp	Adapter Plate
SBI15FL	RCS15	-
SBI15SL	RCS15	RCP 15-4
SBI15HL	RCS15	-
SBI15FV	RCS15	-
SBI15SV	RCS15	-
SBI20FL	RCS20	RCP 20-2
SBI20SL	RCS20	RCP 20-2
SBI20FLL	RCS20	RCP 20-2
SBI20SLL	RCS20	RCP 20-2
SBI20CL	RCS20	-
SBI20CLL	RCS20	-
SBI20FV	RCS20	-
SBI20SV	RCS20	-
SBI25FL	RCS25	-
SBI25SL	RCS25	RCP 25-4
SBI25FLL	RCS25	-
SBI25SLL	RCS25	RCP 25-4
SBI25HL	RCS25	-
SBI25HLL	RCS25	-
SBI30FL	RCS30	-
SBI30SL	RCS30	RCP 30-3
SBI30FLL	RCS30	-
SBI30SLL	RCS30	RCP 30-3
SBI30HL	RCS30	-
SBI30HLL	RCS30	-
SBI35FL	RCS35	-
SBI35SL	RCS35	RCP 35-7
SBI35FLL	RCS35	-
SBI35SLL	RCS35	RCP 35-7
SBI35HL	RCS35	-
SBI35HLL	RCS35	-

For other types - please contact Rollco.

High Temperature Design



HT end-plate

If working temperature is more than 80°C, Rollco supply the high temperature end-plate which is made of aluminum. Recommended working temperature : -20 ~ 180°C.

For high temperature applications we can replace all plastic components with steel or aluminum. Please contact Rollco for more information.

Raydent Linear Rail and Block

- Corrosion resistant.
- Patented black surface treatment.
- Balls of stainless steel available as option.
- Please contact Rollco for more information.



Bolt Mounting Torque

The below mounting torque is recommended for mounting the rail.

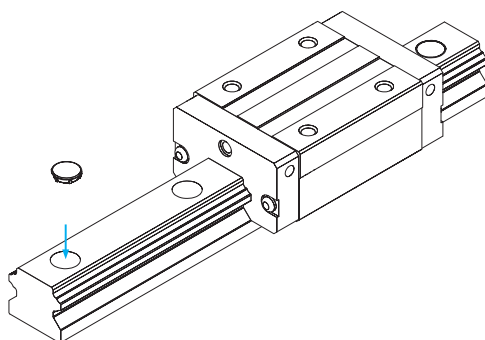
Bolt	Rail	Mounting torque (Nm)		
		Steel	Cast iron	Aluminium
M4	SBI15	4,1	2,7	2,1
M5	SBI20	8,8	5,9	4,4
M6	SBI25	14	9,2	6,9
M8	SBI30, 35	30	20	15
M12	SBI45	118	78	59
M14	SBI55	157	105	78
M16	SBI65	196	131	98

Hole Cap

Contaminants invade into the bolt holes of the rail and pollute the inside of the bearing. You can use hole caps made from hardened rubber to fill the holes. Hole caps are provided with the rails.

Hole cap mounting method:

1. Bolt the rail on the plate.
2. Put the hole cap on the rail mounting hole and place a larger plate on the cap. Then tap it with a hammer.
3. Check the hole cap to make sure it is properly seated.



Bellows

For the best protection of the linear rail system, bellows can be used.

Reference: SBI type: SH-DA
SBG type: SH

Please contact Rollco for more information.

