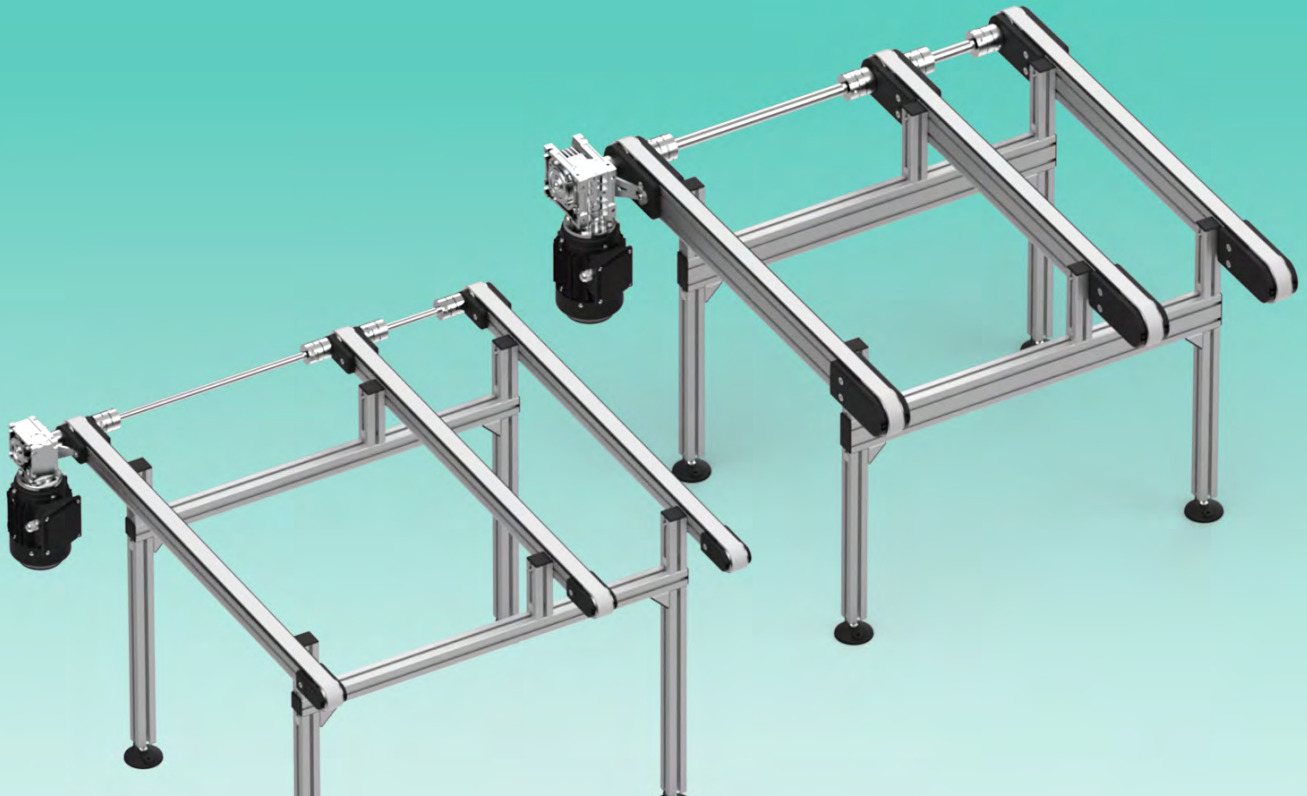


ROLLCO

TIMING BELT CONVEYORS



TIMING BELT CONVEYORS TB40 & TB80

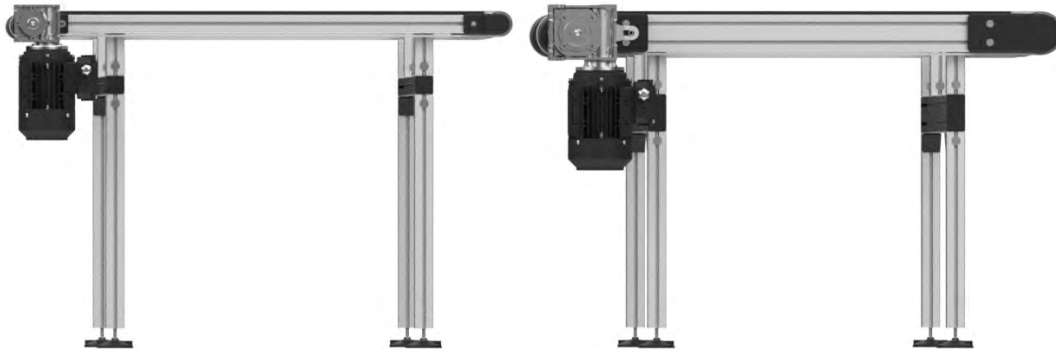
The timing belt conveyor offers stepwise and precise positioning of transported goods. It is a flexible solution for lateral movement of long products, and gives easy access for e.g., grippers or lifting devices. When using cleats, the timing belt conveyor is a very good solution for inclined or declined transportation of goods. Rollco's timing belt conveyor is available in two different sizes, TB40 and TB80.

SINGLE OR MULTIPLE BELTS

Our timing belt conveyor is excellent for synchronization of multiple timing belts, but can also be used as a stand-alone unit. What type to use and number of timing belts possible to use synchronously, varies depending on the characteristics of the goods transported.

FITTED ALUMINIUM STAND

Choose between options such as cleats, false teeth, and specialized belts with different top coatings. If required, the conveyor can be delivered as a complete solution with fitted aluminium profile stand. All manufactured in our local workshop.



CHARACTERISTICS

- System length 300-6000 mm
- System width up to 6000 mm
- Speed up to 54 m/min.
- Belt AT10
- Belt width 32 mm
- End drive
- Flexible, customized design
- Incline or decline +/- 10°
- Up to ten synchronized timing belts

APPLICATION AREAS

- Material handling
- Machine industry
- Woodworking industry



EASY ACCESSIBLE CAD-FILES

Design your conveyor system with up to ten parallel units, including stand. Access matching CAD-files instantly in our CAD-configurator.



**ALWAYS THE RIGHT SOLUTION
AT THE RIGHT TIME.**

With a unique customer focus we make it easy to create, maintain and develop automation and linear movement.

ROLLCO

LINEAR SOLUTIONS **YOUR** WAY

Rollco AB
Box 22234
Ekvändan 17
250 24 Helsingborg
Sweden
Tel. +46 42 150040
www.rollco.se

Rollco A/S
Skomagervej 13 E
7100 Vejle
Denmark
Tel. +45 7552 2666
www.rollco.dk

Rollco Oy
Sarankulmankatu 12
33900 Tampere
Finland
Tel. +358 207 57 97 90
www.rollco.fi

Rollco Norge AS
Industrigata 6
3414 Lierstrada
Norway
Tel. +47 32 84 00 34
www.rollco.no

